

Installation Instructions

**Part No.: AMKEYLOCKFC
AMKEYLOCKRC**

**(Keylock Assembly For AM and AMR Series Enclosures
With Flat Covers and Raised Covers)**



222 N. Union St.
Bryan, OH 43506
PH: 419-636-4217 • FAX: 800-237-7269
www.alliedmoulded.com



**ALLIED
MOULDED
PRODUCTS, Inc.**

www.alliedmoulded.com

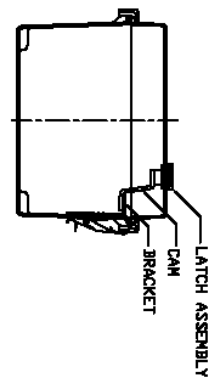
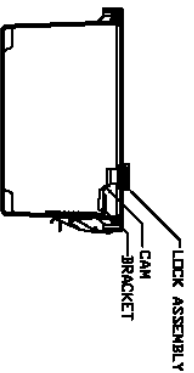
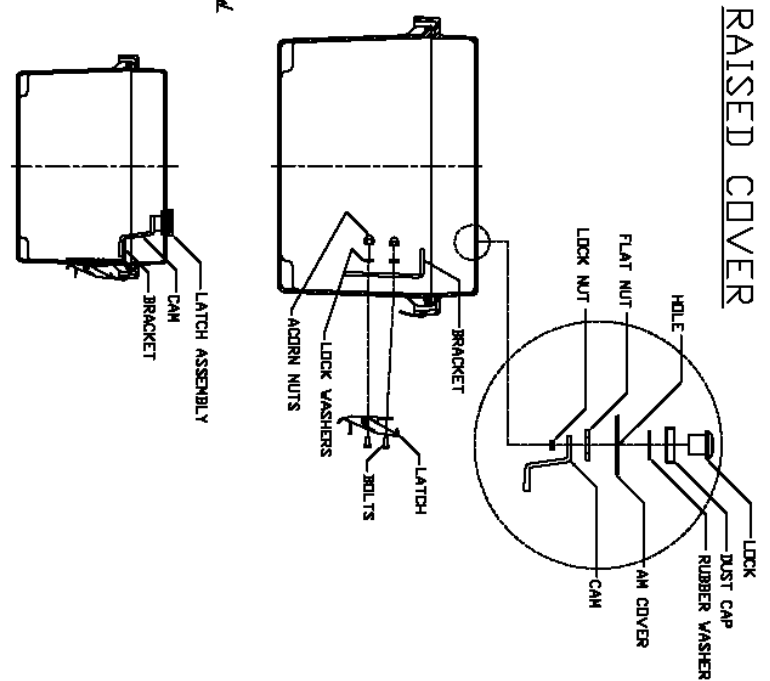
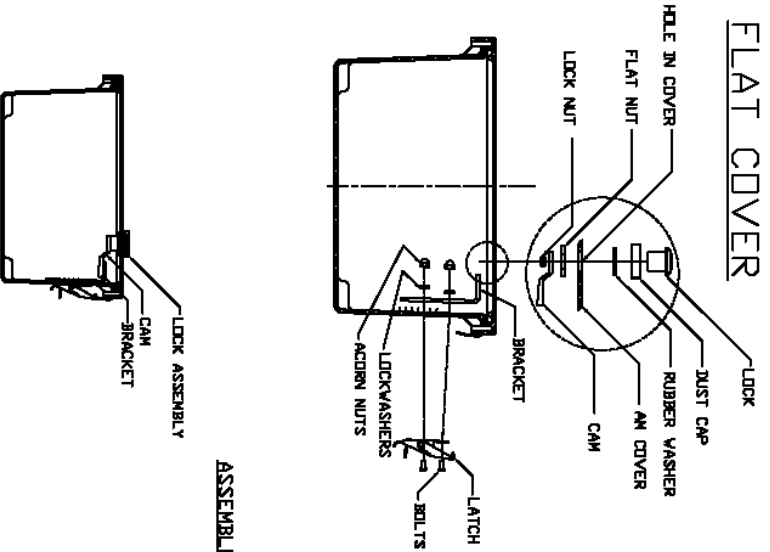
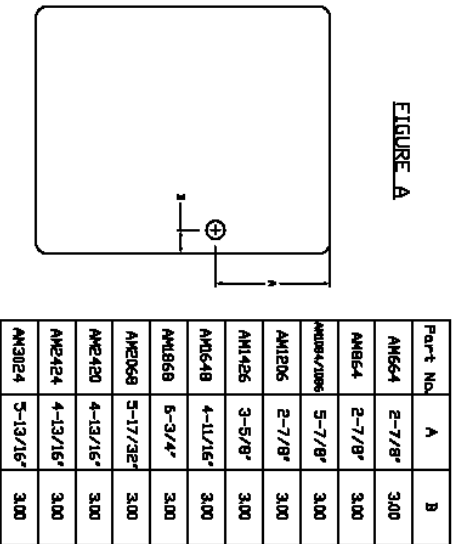
Assembly Instructions for
AMKEYLOCKFC/AMKEYLOCKRC

1. Drill a 7/8" hole in cover using a hole saw according to the chart Figure A.

2. Remove the latch from the long side of the box by removing acorn nuts, lock washers and screws or by drilling the rivets out with a #29 drill bit. If there are two latches, remove the top latch only. Insert the provided screws through the latch and box (using the same holes) then install the provided bracket, lock washers and acorn nuts.

3. Assemble the lock by placing the dust cap on followed by the rubber washer and then insert the lock into the hole you drilled in the cover. After the lock is in the hole, attach the flat nut to hold the lock in place (finger tighten at this step). Next, install the cam on the back of the lock by using the small lock nut to hold it on.

4. Close the box, insert the key and turn the lock. Make sure that when the key is turned into the lock position that the cam is under the bracket. Once you have verified that the lock is positioned properly, tighten the flat nut on the back of the lock assembly.



FORM0240
RELEASE DATE 1/17/07