



Hinged Front Panel Installation Instructions

Aluminum HFPs, P/Ns HFPU66, HFPU86, HFPU108

To be installed on ULTRALINE® Enclosures



Step #1: Assemble Stand-offs to Hinge as shown

Common Parts for All Models

- | | |
|-------------------------|---------------------|
| (2) #6 – 32 x 3/8 Screw | (2) #6 Flat Washer |
| (2) #6 Lock Washer | (2) #6-32 Acorn Nut |

Parts List for HFPU66 (1) each

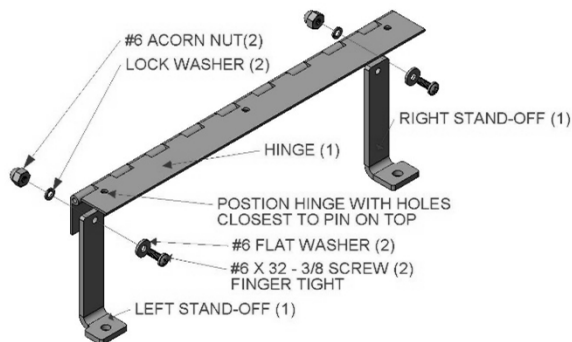
- | | |
|--------------------------------|---------------------|
| Right Stand-off (70-USTDOFF4R) | Hinge 5" (70-60804) |
| Left Stand-off (70-USTDOFF4L) | |

Parts List for HFPU86 (1) each

- | | |
|-----------------------------------|---------------------|
| Right Stand-off (70-USTDOFF4EXTR) | Hinge 5" (70-60804) |
| Left Stand-off (70-USTDOFF4EXTL) | |

Parts List for HFPU108 (1) each

- | | |
|--------------------------------|---------------------|
| Right Stand-off (70-USTDOFF4R) | Hinge 9" (70-60805) |
| Left Stand-off (70-USTDOFF4L) | |



IMPORTANT: Hinge is not symmetrical, position with holes closest to the hinge pin on top. The front panel will not be level if installed incorrectly. Leave #6 x 32 screws finger tight for step #2.

Step #2: Assemble Step 1 Assembly and Panel Stops as shown (mount on top of Optional Back Panel, if so equipped).

Parts List for HFPU66

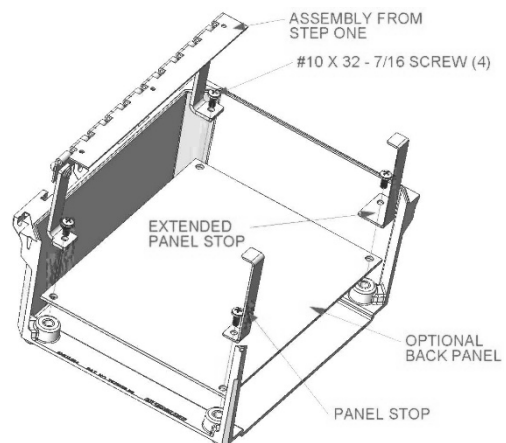
- | |
|---|
| (4) #10 – 32 x 7/16 Screw |
| (1) Panel Stop (70-UPANST4) |
| (1) Extended Panel Stop (70-UPANST4EXT) |

Parts List for HFPU86

- | |
|---|
| (4) #10 – 32 x 7/16 Screw |
| (1) Panel Stop (70-UPANST4) |
| (1) Extended Panel Stop (70-UPANST4EXT) |

Parts List for HFPU108

- | |
|---|
| (4) #10 – 32 x 7/16 Screw |
| (1) Panel Stop (70-UPANST4) |
| (1) Extended Panel Stop (70-UPANST4EXT) |



Tighten all screws use 5/16" end wrench on acorn nuts



Hinged Front Panel Installation Instructions

Aluminum HFPs, P/Ns HFPU66, HFPU86, HFPU108

To be installed on ULTRALINE® Enclosures

Step #3: Assemble Panel Latch Assembly as shown

Parts List for HFPU66

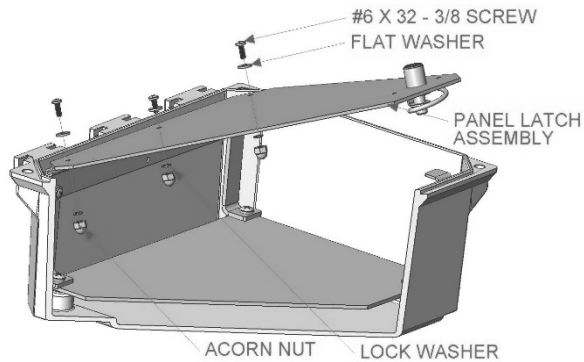
- (1) Panel Latch Assembly (U60820)
- (2) #6 – 32 x 3/8 Screw
- (2) #6 Flat Washer
- (2) #6 Lock Washer
- (2) #6-32 Acorn Nut

Parts List for HFPU86

- (1) Panel Latch Assembly (U60821)
- (2) #6 – 32 x 3/8 Screw
- (2) #6 Flat Washer
- (2) #6 Lock Washer
- (2) #6-32 Acorn Nut

Parts List for HFPU108

- (1) Panel Latch Assembly (U60822)
- (3) #6 – 32 x 3/8 Screw
- (3) #6 Flat Washer
- (3) #6 Lock Washer
- (3) #6-32 Acorn Nut



Panel Latch Assembly - Place thumb screw up

