

AM-R SERIES FIBERGLASS

The AM-R Series offers the same sizes and options as our AM series, with the added feature of a raised cover. The cover adds an additional 1-3/4" of depth to accommodate switches and other devices, and can be used with an optional hinged front panel (HFP) for maximum configuration flexibility within a single enclosure.

AM-R Series enclosures insulate and protect controls and components in both indoor and outdoor applications, including high temperature and/or corrosive environments. They are available in standard JIC sizes with a variety of latching options for any application.



Scan to learn more



AM-R Series Features & Benefits

- Molded ULTRAGUARD® fiberglass reinforced polyester (FRP) material construction for durability
- Continuous 316 stainless steel hinge
- Formed-In-Place (FIP) polyurethane gasket system
- Matching raised cover
- 316 stainless steel hardware and mounting feet
- Mounting panel inserts for optional back panel
- UV stabilized for outdoor use

AM-R Series Specifications

- Non-corrosive
- Non-conductive
- Standard RAL 7035 light gray color
- Temperature-resistant
- Fire-resistant
- Rated NEMA 1, 2, 3, 3R, 4, 4X, 12, 13
- UL® listed
- CSA certified
- Compliant with RoHS directive

Accessories

- Back panels available in painted carbon steel, aluminum, fiberglass, or galvanized steel
- Optional hinged front panels
- ULTRAPLUG® hole plugs
- Pole mount kits
- HMI cover kits
- Inspection windows
- UV resistant polycarbonate viewing windows

Modifications

We are pleased to modify any of our standard products to fit your needs with:

- Custom holes and cutouts
- Custom size polycarbonate viewing windows
- Molded-in color matching
- Hinge installed on short side
- EMI/RFI shielding
- Factory-supplied silk screening

For complete details on factory modifications including a modification request form, see pages 142-144.

www.alliedmoulded.com

STANDARDS
ULTRAGUARD®
FIBERGLASS
AM SERIES
AM-R
AMHD-R
CONTROL
EMPIRE
ULTRALINE®
POLYLIN®
ACCESSORIES
MODS
TECHNICAL
INDEX

AM-R Series

JIC SIZE JUNCTION BOXES

Cover Type

Raised Solid/Opaque

Latching Option

Lift-Off Screw Cover



Application

Designed to insulate and protect controls and components in both indoor and outdoor applications often found in oil refineries, waste water treatment equipment, chemical plants, and many other applications

- Especially well suited for high temperature or corrosive environments
- Protects from dirt, dust, oil and water
- For use with industrial control equipment

Standards

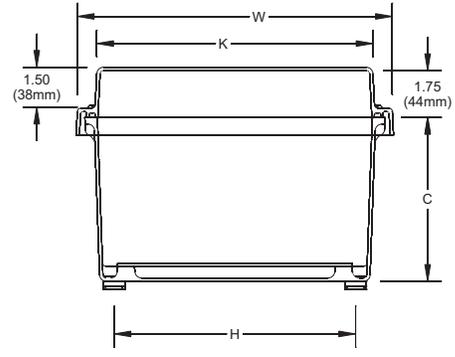
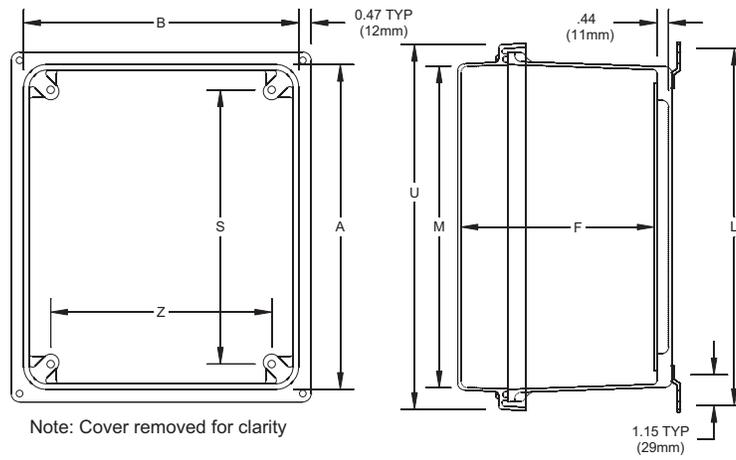
- UL 50 and UL 50E Types 1, 2, 3, 3R, 4, 4X, (6P for sizes 6"x6" up through 14"x12"), 12 and 13
- CSA C22.2 No. 94 Types 1, 2, 3, 3R, 4, 4X, (6P for sizes 6"x6" up through 14"x12"), 12 and 13
- Complies with:
 - NEMA Types 1, 2, 3, 3R, 4, 4X, (6P for sizes 6"x6" up through 14"x12"), 12 and 13
 - IEC 60529 Type IP68 submersible up to 24 hours at a depth of 6 feet (1.8 meters)
 - RoHS directive

Construction

- Strong, molded ULTRAGUARD® fiberglass reinforced polyester material construction with matching raised cover
- 316 stainless steel captive cover screws
- Formed-In-Place (FIP) polyurethane gasket system encased in continuous channel
- 316 stainless steel wall mounting feet with 10-32 stainless steel screws included
- #10-32 threaded brass inserts for optional back panel installation
- JIC sizes
- ULTRAGUARD® fiberglass material is easily punched, drilled, or sawed
- UV stabilized for outdoor use

Accessories & Modifications

- Optional back panels and hinged front panels
- Custom holes and cutouts
- Custom size polycarbonate viewing windows
- Molded-in color matching
- EMI/RFI shielding
- Factory-supplied silk screening



Nominal 1/8" (3mm) wall thickness

Part No.	Box Size			Usable Depth	Panel Boss Centers			Panel Sizes			Foot Mount Centers		Cover Size			
	A	B	C		F	S	Z	Ht.	Wid.	P/N	H	L	K	M	U	W
AM664R	6.10	6.10	4.18	5.29	4.25	4.25	4.81	4.81	PL66 PLA66	5.01	7.32	6.08	6.08	7.69	7.69	
	155mm	155mm	106mm	134mm	108mm	108mm	122mm	122mm		127mm	186mm	154mm	154mm	195mm	195mm	
AM864R	8.00	6.13	4.14	5.21	6.25	4.25	6.75	4.88	PL86 PLA86	5.02	9.20	7.71	7.98	9.59	7.71	
	203mm	156mm	105mm	132mm	159mm	108mm	171mm	124mm		127mm	234mm	196mm	203mm	244mm	196mm	
AM1084R	10.14	8.26	4.13	5.21	8.25	6.25	8.75	6.88	PL108 PLA108	7.01	11.19	8.29	10.16	11.73	9.90	
	258mm	210mm	105mm	132mm	210mm	159mm	222mm	175mm		178mm	284mm	211mm	258mm	299mm	251mm	
AM1086R	10.14	8.26	6.13	7.21	8.25	6.25	8.75	6.88	PL108 PLA108	7.01	11.19	8.29	10.16	11.73	9.85	
	258mm	210mm	156mm	183mm	210mm	159mm	222mm	175mm		178mm	284mm	211mm	258mm	298mm	250mm	
AM1206R	12.14	10.26	6.13	7.21	10.25	8.25	10.75	8.88	PL120 PLA120	9.01	13.19	10.29	12.16	13.73	11.85	
	308mm	261mm	156mm	183mm	260mm	210mm	273mm	225mm		229mm	335mm	261mm	309mm	349mm	301mm	
AM1224R	12.14	12.14	4.13	5.26	10.25	10.25	10.75	10.75	PL122 PLA122	11.01	13.32	12.16	12.16	13.72	13.72	
	308mm	308mm	105mm	134mm	260mm	260mm	273mm	273mm		280mm	338mm	309mm	309mm	348mm	348mm	
AM1226R	12.14	12.14	6.13	7.26	10.25	10.25	10.75	10.75	PL122 PLA122	11.01	13.32	12.16	12.16	13.72	13.72	
	308mm	308mm	156mm	184mm	260mm	260mm	273mm	273mm		280mm	338mm	309mm	309mm	348mm	348mm	
AM1426R	14.14	12.26	6.13	7.21	12.25	10.25	12.75	10.88	PL142 PLA142	11.03	15.19	12.29	14.16	15.73	13.85	
	359mm	312mm	156mm	183mm	311mm	260mm	324mm	276mm		280mm	386mm	312mm	360mm	399mm	352mm	
AM1648R	16.27	14.40	8.13	9.21	14.25	12.25	14.75	12.88	P164 PA164	13.01	17.19	13.70	15.57	17.87	15.99	
	413mm	366mm	207mm	234mm	362mm	311mm	375mm	327mm		330mm	437mm	348mm	395mm	454mm	406mm	
AM1868R	18.40	16.40	8.13	9.22	16.25	14.25	16.88	14.88	P186 PA186	14.97	19.28	15.70	17.70	20.00	18.00	
	467mm	417mm	207mm	234mm	413mm	362mm	429mm	378mm		380mm	490mm	399mm	450mm	508mm	457mm	
AM2068R	20.00	16.00	8.13	9.21	17.81	13.81	18.44	14.44	P206 PA206	14.54	20.84	15.27	19.27	21.59	17.59	
	508mm	406mm	207mm	234mm	452mm	351mm	468mm	367mm		369mm	529mm	388mm	489mm	548mm	447mm	

All dimensions are in inches unless otherwise noted
 Sizes 6" x 6" up through 14" x 12" are rated 6P (IP68)
 Enclosure base part numbers come standard with 4 separately bagged feet (ex. AM664R)
 Additional back panels found on page 128
 Data subject to change without notice



AM-R Series

JIC SIZE JUNCTION BOXES

Cover Type

Raised Viewing Window

Closure Type

Lift-Off Screw Cover



Application

Designed to insulate and protect controls and components in both indoor and outdoor applications often found in oil refineries, waste water treatment equipment, chemical plants, and many other applications

- Especially well suited for high temperature or corrosive environments
- Protects from dirt, dust, oil and water
- For use with industrial control equipment
- Window unit provides viewing area for instrumentation or equipment

Standards

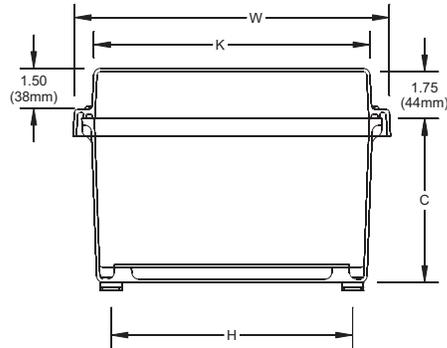
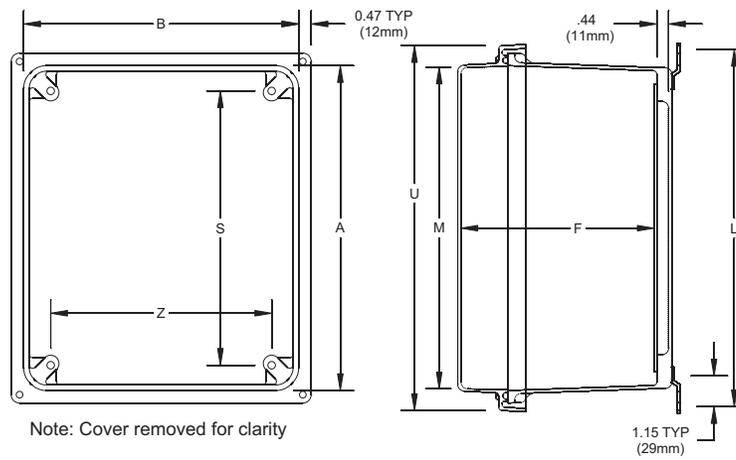
- UL 50 and UL 50E Types 1, 2, 3, 3R, 4, 4X, 12 and 13
- CSA C22.2 No. 94 Types 1, 2, 3, 3R, 4, 4X, 12 and 13
- Complies with:
 - NEMA Types 1, 2, 3, 3R, 4, 4X, 12 and 13
 - IEC 60529 Type IP66
 - RoHS directive

Construction

- Strong, molded ULTRAGUARD® fiberglass reinforced polyester material construction with matching raised cover
- UV resistant polycarbonate viewing window
- 316 stainless steel captive cover screws
- Formed-In-Place (FIP) polyurethane gasket system encased in continuous channel
- 316 stainless steel wall mounting feet with 10-32 stainless steel screws included
- #10-32 threaded brass inserts for optional back panel installation
- JIC sizes
- ULTRAGUARD® fiberglass material is easily punched, drilled, or sawed
- UV stabilized for outdoor use

Accessories & Modifications

- Optional back panels and hinged front panels
- Custom holes and cutouts
- Molded-in color matching
- EMI/RFI shielding
- Factory-supplied silk screening



Nominal 1/8" (3mm) wall thickness

Part No.	Box Size			Usable Depth	Panel Boss Centers			Panel Sizes			Foot Mount Centers		Cover Size			Window Dimension (Height x Width)
	A	B	C		F	S	Z	Ht.	Wid.	P/N	H	L	K	M	U	
AM664RW	6.10	6.10	4.18	5.18	4.25	4.25	4.81	4.81	PL66 PLA66	5.01	7.32	6.08	6.08	7.69	7.69	4.25 x 4.25
	155mm	155mm	106mm	131mm	108mm	108mm	122mm	122mm		127mm	186mm	154mm	154mm	195mm	195mm	108mm x 108mm
AM864RW	8.00	6.13	4.14	5.10	6.25	4.25	6.75	4.88	PL86 PLA86	5.02	9.20	7.71	7.98	9.59	7.71	6.25 x 4.25
	203mm	156mm	105mm	130mm	159mm	108mm	171mm	124mm		127mm	234mm	196mm	203mm	244mm	196mm	159mm x 108mm
AM1084RW	10.14	8.26	4.13	5.10	8.25	6.25	8.75	6.88	PL108 PLA108	7.01	11.19	8.29	10.16	11.73	9.90	8.38 x 6.50
	258mm	210mm	105mm	130mm	210mm	159mm	222mm	175mm		178mm	284mm	211mm	258mm	299mm	251mm	213mm x 165mm
AM1086RW	10.14	8.26	6.13	7.12	8.25	6.25	8.75	6.88	PL108 PLA108	7.01	11.19	8.29	10.16	11.73	9.85	8.38 x 6.50
	258mm	210mm	156mm	181mm	210mm	159mm	222mm	175mm		178mm	284mm	211mm	258mm	298mm	250mm	213mm x 165mm
AM1206RW	12.14	10.26	6.13	7.10	10.25	8.25	10.75	8.88	PL120 PLA120	9.01	13.19	10.29	12.16	13.73	11.85	10.38 x 8.50
	308mm	261mm	156mm	180mm	260mm	210mm	273mm	225mm		229mm	335mm	261mm	309mm	349mm	301mm	264mm x 216mm
AM1224RW	12.14	12.14	4.13	5.15	10.25	10.25	10.75	10.75	PL122 PLA122	11.01	13.32	12.16	12.16	13.72	13.72	10.38 x 10.38
	308mm	308mm	105mm	131mm	260mm	260mm	273mm	273mm		280mm	338mm	309mm	309mm	348mm	348mm	264mm x 264mm
AM1226RW	12.14	12.14	6.13	7.15	10.25	10.25	10.75	10.75	PL122 PLA122	11.01	13.32	12.16	12.16	13.72	13.72	10.38 x 10.38
	308mm	308mm	156mm	182mm	260mm	260mm	273mm	273mm		280mm	338mm	309mm	309mm	348mm	348mm	264mm x 264mm
AM1426RW	14.14	12.26	6.13	7.10	12.25	10.25	12.75	10.88	PL142 PLA142	11.03	15.19	12.29	14.16	15.73	13.85	12.38 x 10.50
	359mm	312mm	156mm	180mm	311mm	260mm	324mm	276mm		280mm	386mm	312mm	360mm	399mm	352mm	314mm x 267mm
AM1648RW	16.27	14.40	8.13	9.10	14.25	12.25	14.75	12.88	P164 PA164	13.01	17.19	13.70	15.57	17.87	15.99	13.00 x 11.00
	413mm	366mm	207mm	231mm	362mm	311mm	375mm	327mm		330mm	437mm	348mm	395mm	454mm	406mm	330mm x 279mm
AM1868RW	18.40	16.40	8.13	9.11	16.25	14.25	16.88	14.88	P186 PA186	14.97	19.28	15.70	17.70	20.00	18.00	14.00 x 12.00
	467mm	417mm	207mm	231mm	413mm	362mm	429mm	378mm		380mm	490mm	399mm	450mm	508mm	457mm	356mm x 305mm
AM2068RW	20.00	16.00	8.13	9.10	17.81	13.81	18.44	14.44	P206 PA206	14.54	20.84	15.27	19.27	21.59	17.59	15.00 x 11.00
	508mm	406mm	207mm	231mm	452mm	351mm	468mm	367mm		369mm	529mm	388mm	489mm	548mm	447mm	381mm x 279mm

All dimensions are in inches unless otherwise noted
Enclosure base part numbers come standard with 4 separately bagged feet (ex. AM664RW)
Additional back panels found on page 128

Data subject to change without notice



AM-R Series

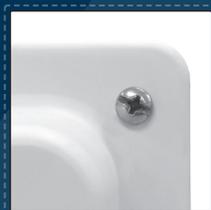
JIC SIZE JUNCTION BOXES

Cover Type

Raised Solid/Opaque

Closure Type

Hinged Screw Cover



Application

Designed to insulate and protect controls and components in both indoor and outdoor applications often found in oil refineries, waste water treatment equipment, chemical plants, and many other applications

- Especially well suited for high temperature or corrosive environments
- Protects from dirt, dust, oil and water
- For use with industrial control equipment

Standards

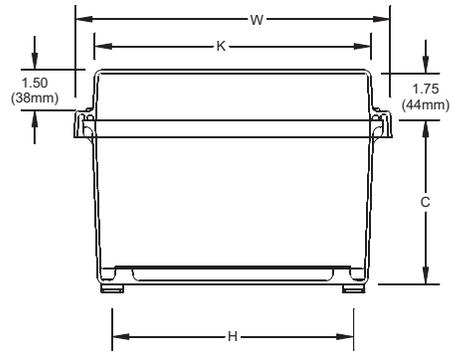
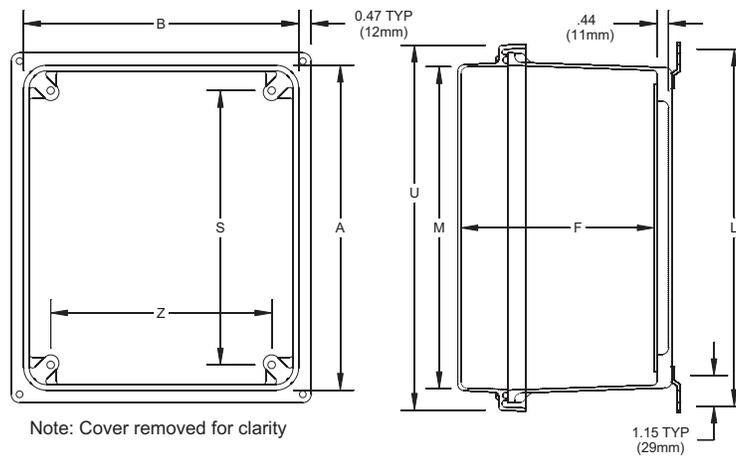
- UL 50 and UL 50E Types 1, 2, 3, 3R, 4, 4X, 12 and 13
- CSA C22.2 No. 94 Types 1, 2, 3, 3R, 4, 4X, 12 and 13
- Complies with:
 - NEMA Types 1, 2, 3, 3R, 4, 4X, 12 and 13
 - IEC 60529 Type IP66
 - RoHS directive

Construction

- Strong, molded ULTRAGUARD® fiberglass reinforced polyester material construction with matching raised cover
- 316 stainless steel captive cover screws
- Continuous 316 stainless steel hinge
- Formed-In-Place (FIP) polyurethane gasket system encased in continuous channel
- 316 stainless steel wall mounting feet with 10-32 stainless steel screws included
- #10-32 threaded brass inserts for optional back panel installation
- JIC sizes
- ULTRAGUARD® fiberglass material is easily punched, drilled, or sawed
- UV stabilized for outdoor use

Accessories & Modifications

- Optional back panels and hinged front panels
- Custom holes and cutouts
- Custom size polycarbonate viewing windows
- Hinge installed on short side
- Molded-in color matching
- EMI/RFI shielding
- Factory-supplied silk screening



Part No.	Box Size			Usable Depth	Panel Boss Centers			Panel Sizes			Foot Mount Centers		Cover Size			
	A	B	C		F	S	Z	Ht.	Wid.	P/N	H	L	K	M	U	W
AM664RH	6.10	6.10	4.18	5.29	4.25	4.25	4.81	4.81	PL66 PLA66	5.01	7.32	6.08	6.08	7.69	7.69	
	155mm	155mm	106mm	134mm	108mm	108mm	122mm	122mm		127mm	186mm	154mm	154mm	195mm	195mm	
AM864RH	8.00	6.13	4.14	5.21	6.25	4.25	6.75	4.88	PL86 PLA86	5.02	9.20	7.71	7.98	9.59	7.71	
	203mm	156mm	105mm	132mm	159mm	108mm	171mm	124mm		127mm	234mm	196mm	203mm	244mm	196mm	
AM1084RH	10.14	8.26	4.13	5.21	8.25	6.25	8.75	6.88	PL108 PLA108	7.01	11.19	8.29	10.16	11.73	9.90	
	258mm	210mm	105mm	132mm	210mm	159mm	222mm	175mm		178mm	284mm	211mm	258mm	299mm	251mm	
AM1086RH	10.14	8.26	6.13	7.21	8.25	6.25	8.75	6.88	PL108 PLA108	7.01	11.19	8.29	10.16	11.73	9.85	
	258mm	210mm	156mm	183mm	210mm	159mm	222mm	175mm		178mm	284mm	211mm	258mm	298mm	250mm	
AM1206RH	12.14	10.26	6.13	7.21	10.25	8.25	10.75	8.88	PL120 PLA120	9.01	13.19	10.29	12.16	13.73	11.85	
	308mm	261mm	156mm	183mm	260mm	210mm	273mm	225mm		229mm	335mm	261mm	309mm	349mm	301mm	
AM1224RH	12.14	12.14	4.13	5.26	10.25	10.25	10.75	10.75	PL122 PLA122	11.01	13.32	12.16	12.16	13.72	13.72	
	308mm	308mm	105mm	134mm	260mm	260mm	273mm	273mm		280mm	338mm	309mm	309mm	348mm	348mm	
AM1226RH	12.14	12.14	6.13	7.26	10.25	10.25	10.75	10.75	PL122 PLA122	11.01	13.32	12.16	12.16	13.72	13.72	
	308mm	308mm	156mm	184mm	260mm	260mm	273mm	273mm		280mm	338mm	309mm	309mm	348mm	348mm	
AM1426RH	14.14	12.26	6.13	7.21	12.25	10.25	12.75	10.88	PL142 PLA142	11.03	15.19	12.29	14.16	15.73	13.85	
	359mm	312mm	156mm	183mm	311mm	260mm	324mm	276mm		280mm	386mm	312mm	360mm	399mm	352mm	
AM1648RH	16.27	14.40	8.13	9.21	14.25	12.25	14.75	12.88	P164 PA164	13.01	17.19	13.70	15.57	17.87	15.99	
	413mm	366mm	207mm	234mm	362mm	311mm	375mm	327mm		330mm	437mm	348mm	395mm	454mm	406mm	
AM1868RH	18.40	16.40	8.13	9.22	16.25	14.25	16.88	14.88	P186 PA186	14.97	19.28	15.70	17.70	20.00	18.00	
	467mm	417mm	207mm	234mm	413mm	362mm	429mm	378mm		380mm	490mm	399mm	450mm	508mm	457mm	
AM2068RH	20.00	16.00	8.13	9.21	17.81	13.81	18.44	14.44	P206 PA206	14.54	20.84	15.27	19.27	21.59	17.59	
	508mm	406mm	207mm	234mm	452mm	351mm	468mm	367mm		369mm	529mm	388mm	489mm	548mm	447mm	

All dimensions are in inches unless otherwise noted

Data subject to change without notice

Enclosure base part numbers come standard with 4 separately bagged feet (ex. AM664RH)

Additional back panels found on page 128



AM-R Series

JIC SIZE JUNCTION BOXES

Cover Type

Raised Viewing Window

Closure Type

Hinged Screw Cover



Application

Designed to insulate and protect controls and components in both indoor and outdoor applications often found in oil refineries, waste water treatment equipment, chemical plants, and many other applications

- Especially well suited for high temperature or corrosive environments
- Protects from dirt, dust, oil and water
- For use with industrial control equipment
- Window unit provides viewing area for instrumentation or equipment

Standards

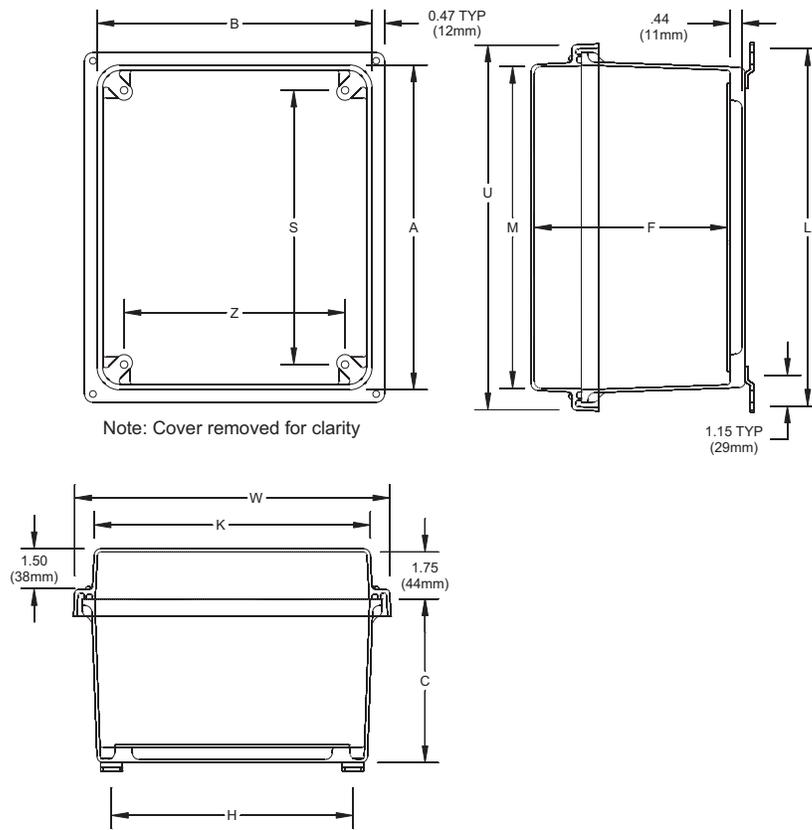
- UL 50 and UL 50E Types 1, 2, 3, 3R, 4, 4X, 12 and 13
- CSA C22.2 No. 94 Types 1, 2, 3, 3R, 4, 4X, 12 and 13
- Complies with:
 - NEMA Types 1, 2, 3, 3R, 4, 4X, 12 and 13
 - IEC 60529 Type IP66
 - RoHS directive

Construction

- Strong, molded ULTRAGUARD® fiberglass reinforced polyester material construction with matching raised cover
- UV resistant polycarbonate viewing window
- 316 stainless steel captive cover screws
- Continuous 316 stainless steel hinge
- Formed-In-Place (FIP) polyurethane gasket system encased in continuous channel
- 316 stainless steel wall mounting feet with 10-32 stainless steel screws included
- #10-32 threaded brass inserts for optional back panel installation
- JIC sizes
- ULTRAGUARD® fiberglass material is easily punched, drilled, or sawed
- UV stabilized for outdoor use

Accessories & Modifications

- Optional back panels and hinged front panels
- Custom holes and cutouts
- Hinge installed on short side
- Molded-in color matching
- EMI/RFI shielding
- Factory-supplied silk screening



Part No.	Box Size			Usable Depth	Panel Boss Centers		Panel Sizes		Foot Mount Centers		Cover Size			Window Dimension (Height x Width)		
	A	B	C		F	S	Z	Ht.	Wid.	P/N	H	L	K		M	U
AM664RHW	6.10	6.10	4.18	5.18	4.25	4.25	4.81	4.81	PL66	5.01	7.32	6.08	6.08	7.69	7.69	4.25 x 4.25
	155mm	155mm	106mm	131mm	108mm	108mm	122mm	122mm	PLA66	127mm	186mm	154mm	154mm	195mm	195mm	108mm x 108mm
AM864RHW	8.00	6.13	4.14	5.10	6.25	4.25	6.75	4.88	PL86	5.02	9.20	7.71	7.98	9.59	7.71	6.25 x 4.25
	203mm	156mm	105mm	130mm	159mm	108mm	171mm	124mm	PLA86	127mm	234mm	196mm	203mm	244mm	196mm	159mm x 108mm
AM1084RHW	10.14	8.26	4.13	5.10	8.25	6.25	8.75	6.88	PL108	7.01	11.19	8.29	10.16	11.73	9.90	8.38 x 6.50
	258mm	210mm	105mm	130mm	210mm	159mm	222mm	175mm	PLA108	178mm	284mm	211mm	258mm	299mm	251mm	213mm x 165mm
AM1086RHW	10.14	8.26	6.13	7.12	8.25	6.25	8.75	6.88	PL108	7.01	11.19	8.29	10.16	11.73	9.85	8.38 x 6.50
	258mm	210mm	156mm	181mm	210mm	159mm	222mm	175mm	PLA108	178mm	284mm	211mm	258mm	298mm	250mm	213mm x 165mm
AM1206RHW	12.14	10.26	6.13	7.10	10.25	8.25	10.75	8.88	PL120	9.01	13.19	10.29	12.16	13.73	11.85	10.38 x 8.50
	308mm	261mm	156mm	180mm	260mm	210mm	273mm	225mm	PLA120	229mm	335mm	261mm	309mm	349mm	301mm	264mm x 216mm
AM1224RHW	12.14	12.14	4.13	5.15	10.25	10.25	10.75	10.75	PL122	11.01	13.32	12.16	12.16	13.72	13.72	10.38 x 10.38
	308mm	308mm	105mm	131mm	260mm	260mm	273mm	273mm	PLA122	280mm	338mm	309mm	309mm	348mm	348mm	264mm x 264mm
AM1226RHW	12.14	12.14	6.13	7.15	10.25	10.25	10.75	10.75	PL122	11.01	13.32	12.16	12.16	13.72	13.72	10.38 x 10.38
	308mm	308mm	156mm	182mm	260mm	260mm	273mm	273mm	PLA122	280mm	338mm	309mm	309mm	348mm	348mm	264mm x 264mm
AM1426RHW	14.14	12.26	6.13	7.10	12.25	10.25	12.75	10.88	PL142	11.03	15.19	12.29	14.16	15.73	13.85	12.38 x 10.50
	359mm	312mm	156mm	180mm	311mm	260mm	324mm	276mm	PLA142	280mm	386mm	312mm	360mm	399mm	352mm	314mm x 267mm
AM1648RHW	16.27	14.40	8.13	9.10	14.25	12.25	14.75	12.88	P164	13.01	17.19	13.70	15.57	17.87	15.99	13.00 x 11.00
	413mm	366mm	207mm	231mm	362mm	311mm	375mm	327mm	PA164	330mm	437mm	348mm	395mm	454mm	406mm	330mm x 279mm
AM1868RHW	18.40	16.40	8.13	9.11	16.25	14.25	16.88	14.88	P186	14.97	19.28	15.70	17.70	20.00	18.00	14.00 x 12.00
	467mm	417mm	207mm	231mm	413mm	362mm	429mm	378mm	PA186	380mm	490mm	399mm	450mm	508mm	457mm	356mm x 305mm
AM2068RHW	20.00	16.00	8.13	9.10	17.81	13.81	18.44	14.44	P206	14.54	20.84	15.27	19.27	21.59	17.59	15.00 x 11.00
	508mm	406mm	207mm	231mm	452mm	351mm	468mm	367mm	PA206	369mm	529mm	388mm	489mm	548mm	447mm	381mm x 279mm

All dimensions are in inches unless otherwise noted

Data subject to change without notice

Enclosure base part numbers come standard with 4 separately bagged feet (ex. AM664RHW)

Additional back panels found on page 128



AM-R Series

JIC SIZE JUNCTION BOXES

Cover Type

Raised Solid/Opaque

Closure Type

Snap Latch Hinged Cover



Application

Designed to insulate and protect controls and components in both indoor and outdoor applications often found in oil refineries, waste water treatment equipment, chemical plants, and many other applications

- Especially well suited for high temperature or corrosive environments
- Protects from dirt, dust, oil and water
- For use with industrial control equipment

Standards

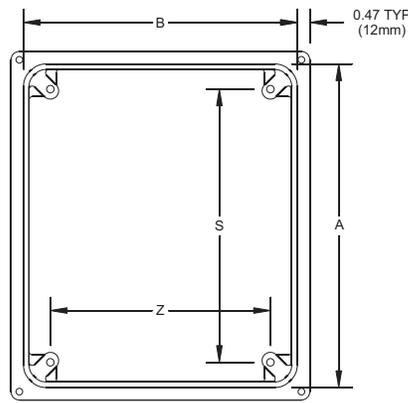
- UL 50 and UL 50E Types 1, 2, 3, 3R, 4, 4X, 12 and 13
- CSA C22.2 No. 94 Types 1, 2, 3, 3R, 4, 4X, 12 and 13
- Complies with:
 - NEMA Types 1, 2, 3, 3R, 4, 4X, 12 and 13
 - IEC 60529 Type IP66
 - RoHS directive

Construction

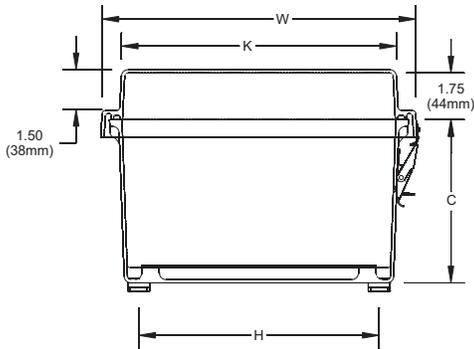
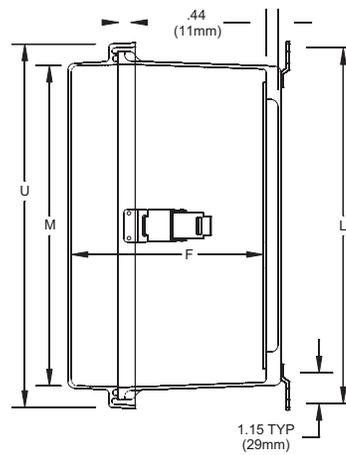
- Strong, molded ULTRAGUARD® fiberglass reinforced polyester material construction with matching raised cover
- 316 stainless steel snap latches feature padlock hasp (.375" dia.)
- Continuous 316 stainless steel hinge
- Formed-In-Place (FIP) polyurethane gasket system encased in continuous channel
- 316 stainless steel wall mounting feet with 10-32 stainless steel screws included
- #10-32 threaded brass inserts for optional back panel installation
- JIC sizes
- ULTRAGUARD® fiberglass material is easily punched, drilled, or sawed
- UV stabilized for outdoor use

Accessories & Modifications

- Optional back panels and hinged front panels
- Custom holes and cutouts
- Custom size polycarbonate viewing windows
- Hinge installed on short side
- Molded-in color matching
- EMI/RFI shielding
- Factory-supplied silk screening



Note: Cover removed for clarity



Nominal 1/8" (3mm) wall thickness

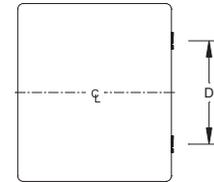
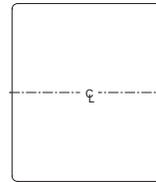
LATCH LOCATIONS

FOR USE ON:

- 6x6x4
- 8x6x4
- 10x8x4,6

FOR USE ON:

- 12x10x6 D=8.00 (203 mm)
- 12x12x4,6 D=8.00 (203 mm)
- 14x12x6 D=8.50 (216 mm)
- 16x14x8 D=8.61 (219 mm)
- 18x16x8 D=6.50 (165 mm)
- 20x16x8 D=10.52 (267 mm)



Part No.	Box Size			Usable Depth F	Panel Boss Centers		Panel Sizes			Foot Mount Centers		Cover Size			
	A	B	C		S	Z	Ht.	Wid.	P/N	H	L	K	M	U	W
AM664RL	6.10	6.10	4.18	5.29	4.25	4.25	4.81	4.81	PL66 PLA66	5.01	7.32	6.08	6.08	7.69	7.69
	155mm	155mm	106mm	134mm	108mm	108mm	122mm	122mm		127mm	186mm	154mm	154mm	195mm	195mm
AM864RL	8.00	6.13	4.14	5.21	6.25	4.25	6.75	4.88	PL86 PLA86	5.02	9.20	7.71	7.98	9.59	7.71
	203mm	156mm	105mm	132mm	159mm	108mm	171mm	124mm		127mm	234mm	196mm	203mm	244mm	196mm
AM1084RL	10.14	8.26	4.13	5.21	8.25	6.25	8.75	6.88	PL108 PLA108	7.01	11.19	8.29	10.16	11.73	9.90
	258mm	210mm	105mm	132mm	210mm	159mm	222mm	175mm		178mm	284mm	211mm	258mm	299mm	251mm
AM1086RL	10.14	8.26	6.13	7.21	8.25	6.25	8.75	6.88	PL108 PLA108	7.01	11.19	8.29	10.16	11.73	9.85
	258mm	210mm	156mm	183mm	210mm	159mm	222mm	175mm		178mm	284mm	211mm	258mm	298mm	250mm
AM1206RL	12.14	10.26	6.13	7.21	10.25	8.25	10.75	8.88	PL120 PLA120	9.01	13.19	10.29	12.16	13.73	11.85
	308mm	261mm	156mm	183mm	260mm	210mm	273mm	225mm		229mm	335mm	261mm	309mm	349mm	301mm
AM1224RL	12.14	12.14	4.13	5.26	10.25	10.25	10.75	10.75	PL122 PLA122	11.01	13.32	12.16	12.16	13.72	13.72
	308mm	308mm	105mm	134mm	260mm	260mm	273mm	273mm		280mm	338mm	309mm	309mm	348mm	348mm
AM1226RL	12.14	12.14	6.13	7.26	10.25	10.25	10.75	10.75	PL122 PLA122	11.01	13.32	12.16	12.16	13.72	13.72
	308mm	308mm	156mm	184mm	260mm	260mm	273mm	273mm		280mm	338mm	309mm	309mm	348mm	348mm
AM1426RL	14.14	12.26	6.13	7.21	12.25	10.25	12.75	10.88	PL142 PLA142	11.03	15.19	12.29	14.16	15.73	13.85
	359mm	312mm	156mm	183mm	311mm	260mm	324mm	276mm		280mm	386mm	312mm	360mm	399mm	352mm
AM1648RL	16.27	14.40	8.13	9.21	14.25	12.25	14.75	12.88	P164 PA164	13.01	17.19	13.70	15.57	17.87	15.99
	413mm	366mm	207mm	234mm	362mm	311mm	375mm	327mm		330mm	437mm	348mm	395mm	454mm	406mm
AM1868RL	18.40	16.40	8.13	9.22	16.25	14.25	16.88	14.88	P186 PA186	14.97	19.28	15.70	17.70	20.00	18.00
	467mm	417mm	207mm	234mm	413mm	362mm	429mm	378mm		380mm	490mm	399mm	450mm	508mm	457mm
AM2068RL	20.00	16.00	8.13	9.21	17.81	13.81	18.44	14.44	P206 PA206	14.54	20.84	15.27	19.27	21.59	17.59
	508mm	406mm	207mm	234mm	452mm	351mm	468mm	367mm		369mm	529mm	388mm	489mm	548mm	447mm

All dimensions are in inches unless otherwise noted

Data subject to change without notice

Enclosure base part numbers come standard with 4 separately bagged feet (ex. AM664RL)

Additional back panels found on page 128



AM-R Series

JIC SIZE JUNCTION BOXES

Cover Type

Raised Viewing Window

Closure Type

Snap Latch Hinged Cover



Application

Designed to insulate and protect controls and components in both indoor and outdoor applications often found in oil refineries, waste water treatment equipment, chemical plants, and many other applications

- Especially well suited for high temperature or corrosive environments
- Protects from dirt, dust, oil and water
- For use with industrial control equipment
- Window unit provides viewing area for instrumentation or equipment

Standards

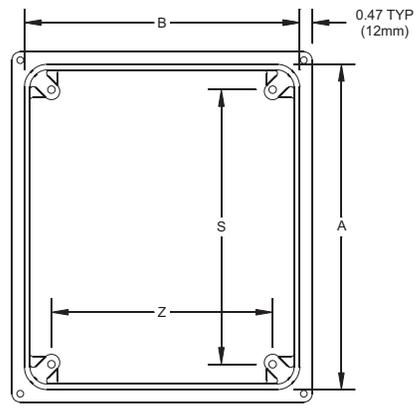
- UL 50 and UL 50E Types 1, 2, 3, 3R, 4, 4X, 12 and 13
- CSA C22.2 No. 94 Types 1, 2, 3, 3R, 4, 4X, 12 and 13
- Complies with:
 - NEMA Types 1, 2, 3, 3R, 4, 4X, 12 and 13
 - IEC 60529 Type IP66
 - RoHS directive

Construction

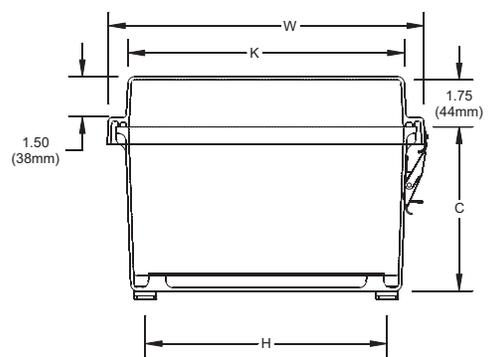
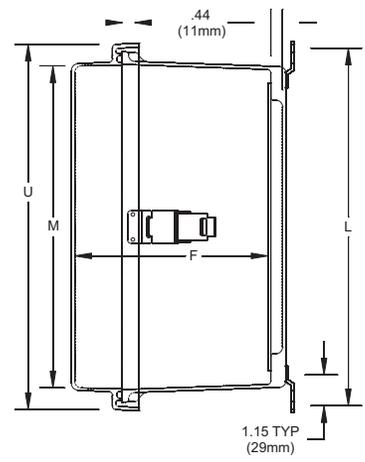
- Strong, molded ULTRAGUARD® fiberglass reinforced polyester material construction with matching raised cover
- UV resistant polycarbonate viewing window
- 316 stainless steel snap latches feature padlock hasp (.375" dia.)
- Continuous 316 stainless steel hinge
- Formed-In-Place (FIP) polyurethane gasket system encased in continuous channel
- 316 stainless steel wall mounting feet with 10-32 stainless steel screws included
- #10-32 threaded brass inserts for optional back panel installation
- JIC sizes
- ULTRAGUARD® fiberglass material is easily punched, drilled, or sawed
- UV stabilized for outdoor use

Accessories & Modifications

- Optional back panels and hinged front panels
- Custom holes and cutouts
- Hinge installed on short side
- Molded-in color matching
- EMI/RFI shielding
- Factory-supplied silk screening



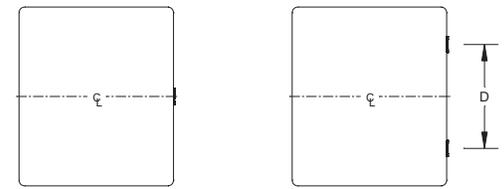
Note: Cover removed for clarity



Nominal 1/8" (3mm) wall thickness

LATCH LOCATIONS

- FOR USE ON:
- | | | |
|----------|---------------------------|--------------------------|
| 6x6x4 | 12x10x6 D=8.00 (203 mm) | 16x14x8 D=8.61 (219 mm) |
| 8x6x4 | 12x12x4,6 D=8.00 (203 mm) | 18x16x8 D=6.50 (165 mm) |
| 10x8x4,6 | 14x12x6 D=8.50 (216 mm) | 20x16x8 D=10.52 (267 mm) |



Part No.	Box Size			Usable Depth F	Panel Boss Centers		Panel Sizes		Foot Mount Centers H L	Cover Size			Window Dimension (Height x Width)			
	A	B	C		S	Z	Ht.	Wid.		P/N	K	M		U	W	
AM664RLW	6.10	6.10	4.18	5.18	4.25	4.25	4.81	4.81	PL66 PLA66	5.01	7.32	6.08	6.08	7.69	7.69	4.25 x 4.25
	155mm	155mm	106mm	131mm	108mm	108mm	122mm	122mm		127mm	186mm	154mm	154mm	195mm	195mm	108mm x 108mm
AM864RLW	8.00	6.13	4.14	5.10	6.25	4.25	6.75	4.88	PL86 PLA86	5.02	9.20	7.71	7.98	9.59	7.71	6.25 x 4.25
	203mm	156mm	105mm	130mm	159mm	108mm	171mm	124mm		127mm	234mm	196mm	203mm	244mm	196mm	159mm x 108mm
AM1084RLW	10.14	8.26	4.13	5.10	8.25	6.25	8.75	6.88	PL108 PLA108	7.01	11.19	8.29	10.16	11.73	9.90	8.38 x 6.50
	258mm	210mm	105mm	130mm	210mm	159mm	222mm	175mm		178mm	284mm	211mm	258mm	299mm	251mm	213mm x 165mm
AM1086RLW	10.14	8.26	6.13	7.12	8.25	6.25	8.75	6.88	PL108 PLA108	7.01	11.19	8.29	10.16	11.73	9.85	8.38 x 6.50
	258mm	210mm	156mm	181mm	210mm	159mm	222mm	175mm		178mm	284mm	211mm	258mm	298mm	250mm	213mm x 165mm
AM1206RLW	12.14	10.26	6.13	7.10	10.25	8.25	10.75	8.88	PL120 PLA120	9.01	13.19	10.29	12.16	13.73	11.85	10.38 x 8.50
	308mm	261mm	156mm	180mm	260mm	210mm	273mm	225mm		229mm	335mm	261mm	309mm	349mm	301mm	264mm x 216mm
AM1224RLW	12.14	12.14	4.13	5.15	10.25	10.25	10.75	10.75	PL122 PLA122	11.01	13.32	12.16	12.16	13.72	13.72	10.38 x 10.38
	308mm	308mm	105mm	131mm	260mm	260mm	273mm	273mm		280mm	338mm	309mm	309mm	348mm	348mm	264mm x 264mm
AM1226RLW	12.14	12.14	6.13	7.15	10.25	10.25	10.75	10.75	PL122 PLA122	11.01	13.32	12.16	12.16	13.72	13.72	10.38 x 10.38
	308mm	308mm	156mm	182mm	260mm	260mm	273mm	273mm		280mm	338mm	309mm	309mm	348mm	348mm	264mm x 264mm
AM1426RLW	14.14	12.26	6.13	7.10	12.25	10.25	12.75	10.88	PL142 PLA142	11.03	15.19	12.29	14.16	15.73	13.85	12.38 x 10.50
	359mm	312mm	156mm	180mm	311mm	260mm	324mm	276mm		280mm	386mm	312mm	360mm	399mm	352mm	314mm x 267mm
AM1648RLW	16.27	14.40	8.13	9.10	14.25	12.25	14.75	12.88	P164 PA164	13.01	17.19	13.70	15.57	17.87	15.99	13.00 x 11.00
	413mm	366mm	207mm	231mm	362mm	311mm	375mm	327mm		330mm	437mm	348mm	395mm	454mm	406mm	330mm x 279mm
AM1868RLW	18.40	16.40	8.13	9.11	16.25	14.25	16.88	14.88	P186 PA186	14.97	19.28	15.70	17.70	20.00	18.00	14.00 x 12.00
	467mm	417mm	207mm	231mm	413mm	362mm	429mm	378mm		380mm	490mm	399mm	450mm	508mm	457mm	356mm x 305mm
AM2068RLW	20.00	16.00	8.13	9.10	17.81	13.81	18.44	14.44	P206 PA206	14.54	20.84	15.27	19.27	21.59	17.59	15.00 x 11.00
	508mm	406mm	207mm	231mm	452mm	351mm	468mm	367mm		369mm	529mm	388mm	489mm	548mm	447mm	381mm x 279mm

All dimensions are in inches unless otherwise noted
Enclosure base part numbers come standard with 4 separately bagged feet (ex. AM664RLW)
Additional back panels found on page 128
Data subject to change without notice



AM-R Series

JIC SIZE JUNCTION BOXES

Cover Type

Raised Solid/Opaque

Closure Type

Twist Latch Hinged Cover



Application

Designed to insulate and protect controls and components in both indoor and outdoor applications often found in oil refineries, waste water treatment equipment, chemical plants, and many other applications

- Especially well suited for high temperature or corrosive environments
- Protects from dirt, dust, oil and water
- For use with industrial control equipment

Standards

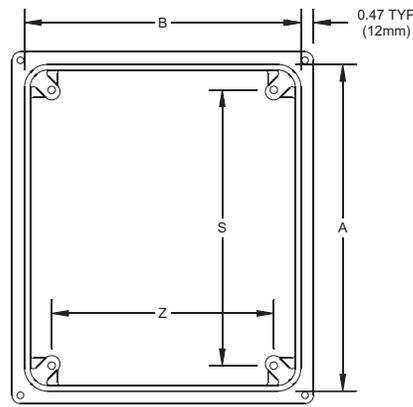
- UL 50 and UL 50E Types 1, 2, 3, 3R, 4, 4X, 12 and 13
- CSA C22.2 No. 94 Types 1, 2, 3, 3R, 4, 4X, 12 and 13
- Complies with:
 - NEMA Types 1, 2, 3, 3R, 4, 4X, 12 and 13
 - IEC 60529 Type IP66
 - RoHS directive

Construction

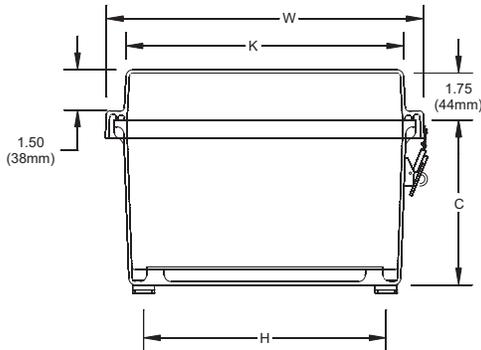
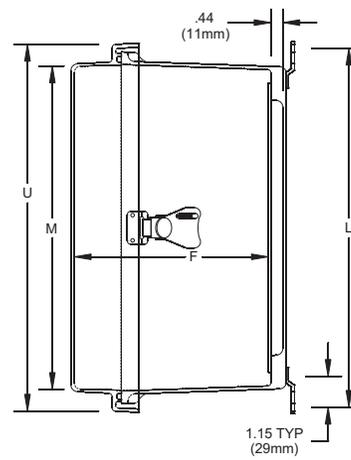
- Strong, molded ULTRAGUARD® fiberglass reinforced polyester material construction with matching raised cover
- 316 stainless steel twist latches feature padlock hasp (.375" dia.)
- Continuous 316 stainless steel hinge
- Formed-In-Place (FIP) polyurethane gasket system encased in continuous channel
- 316 stainless steel wall mounting feet with 10-32 stainless steel screws included
- #10-32 threaded brass inserts for optional back panel installation
- JIC sizes
- ULTRAGUARD® fiberglass material is easily punched, drilled, or sawed
- UV stabilized for outdoor use

Accessories & Modifications

- Optional back panels and hinged front panels
- Custom holes and cutouts
- Custom size polycarbonate viewing windows
- Hinge installed on short side
- Molded-in color matching
- EMI/RFI shielding
- Factory-supplied silk screening



Note: Cover removed for clarity



Nominal 1/8" (3mm) wall thickness

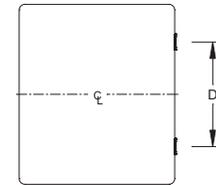
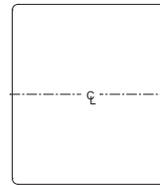
LATCH LOCATIONS

FOR USE ON:

- 6x6x4
- 8x6x4
- 10x8x4,6

FOR USE ON:

- 12x10x6 D=8.00 (203 mm)
- 12x12x4,6 D=8.00 (203 mm)
- 14x12x6 D=8.54 (217 mm)
- 16x14x8 D=8.54 (217 mm)
- 18x16x8 D=6.50 (165 mm)
- 20x16x8 D=10.52 (267 mm)



Part No.	Box Size			Usable Depth F	Panel Boss Centers		Panel Sizes			Foot Mount Centers		Cover Size			
	A	B	C		S	Z	Ht.	Wid.	P/N	H	L	K	M	U	W
AM664RT	6.10	6.10	4.18	5.29	4.25	4.25	4.81	4.81	PL66 PLA66	5.01	7.32	6.08	6.08	7.69	7.69
	155mm	155mm	106mm	134mm	108mm	108mm	122mm	122mm		127mm	186mm	154mm	154mm	195mm	195mm
AM864RT	8.00	6.13	4.14	5.21	6.25	4.25	6.75	4.88	PL86 PLA86	5.02	9.20	7.71	7.98	9.59	7.71
	203mm	156mm	105mm	132mm	159mm	108mm	171mm	124mm		127mm	234mm	196mm	203mm	244mm	196mm
AM1084RT	10.14	8.26	4.13	5.21	8.25	6.25	8.75	6.88	PL108 PLA108	7.01	11.19	8.29	10.16	11.73	9.90
	258mm	210mm	105mm	132mm	210mm	159mm	222mm	175mm		178mm	284mm	211mm	258mm	299mm	251mm
AM1086RT	10.14	8.26	6.13	7.21	8.25	6.25	8.75	6.88	PL108 PLA108	7.01	11.19	8.29	10.16	11.73	9.85
	258mm	210mm	156mm	183mm	210mm	159mm	222mm	175mm		178mm	284mm	211mm	258mm	298mm	250mm
AM1206RT	12.14	10.26	6.13	7.21	10.25	8.25	10.75	8.88	PL120 PLA120	9.01	13.19	10.29	12.16	13.73	11.85
	308mm	261mm	156mm	183mm	260mm	210mm	273mm	225mm		229mm	335mm	261mm	309mm	349mm	301mm
AM1224RT	12.14	12.14	4.13	5.26	10.25	10.25	10.75	10.75	PL122 PLA122	11.01	13.32	12.16	12.16	13.72	13.72
	308mm	308mm	105mm	134mm	260mm	260mm	273mm	273mm		280mm	338mm	309mm	309mm	348mm	348mm
AM1226RT	12.14	12.14	6.13	7.26	10.25	10.25	10.75	10.75	PL122 PLA122	11.01	13.32	12.16	12.16	13.72	13.72
	308mm	308mm	156mm	184mm	260mm	260mm	273mm	273mm		280mm	338mm	309mm	309mm	348mm	348mm
AM1426RT	14.14	12.26	6.13	7.21	12.25	10.25	12.75	10.88	PL142 PLA142	11.03	15.19	12.29	14.16	15.73	13.85
	359mm	312mm	156mm	183mm	311mm	260mm	324mm	276mm		280mm	386mm	312mm	360mm	399mm	352mm
AM1648RT	16.27	14.40	8.13	9.21	14.25	12.25	14.75	12.88	P164 PA164	13.01	17.19	13.70	15.57	17.87	15.99
	413mm	366mm	207mm	234mm	362mm	311mm	375mm	327mm		330mm	437mm	348mm	395mm	454mm	406mm
AM1868RT	18.40	16.40	8.13	9.22	16.25	14.25	16.88	14.88	P186 PA186	14.97	19.28	15.70	17.70	20.00	18.00
	467mm	417mm	207mm	234mm	413mm	362mm	429mm	378mm		380mm	490mm	399mm	450mm	508mm	457mm
AM2068RT	20.00	16.00	8.13	9.21	17.81	13.81	18.44	14.44	P206 PA206	14.54	20.84	15.27	19.27	21.59	17.59
	508mm	406mm	207mm	234mm	452mm	351mm	468mm	367mm		369mm	529mm	388mm	489mm	548mm	447mm

All dimensions are in inches unless otherwise noted

Data subject to change without notice

Enclosure base part numbers come standard with 4 separately bagged feet (ex. AM664RT)

Additional back panels found on page 128



AM-R Series

JIC SIZE JUNCTION BOXES

Cover Type

Raised Solid/Opaque

Closure Type

Twist Latch Hinged Cover



Application

Designed to insulate and protect controls and components in both indoor and outdoor applications often found in oil refineries, waste water treatment equipment, chemical plants, and many other applications

- Especially well suited for high temperature or corrosive environments
- Protects from dirt, dust, oil and water
- For use with industrial control equipment
- Window unit provides viewing area for instrumentation or equipment

Standards

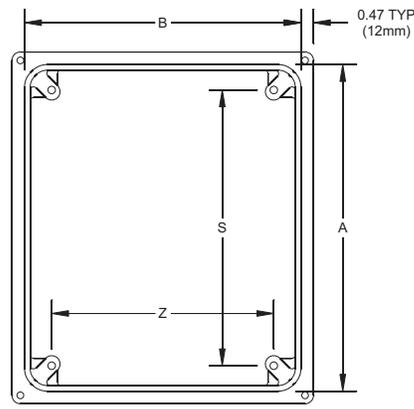
- UL 50 and UL 50E Types 1, 2, 3, 3R, 4, 4X, 12 and 13
- CSA C22.2 No. 94 Types 1, 2, 3, 3R, 4, 4X, 12 and 13
- Complies with:
 - NEMA Types 1, 2, 3, 3R, 4, 4X, 12 and 13
 - IEC 60529 Type IP66
 - RoHS directive

Construction

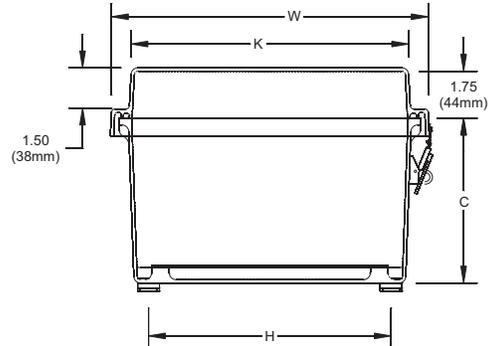
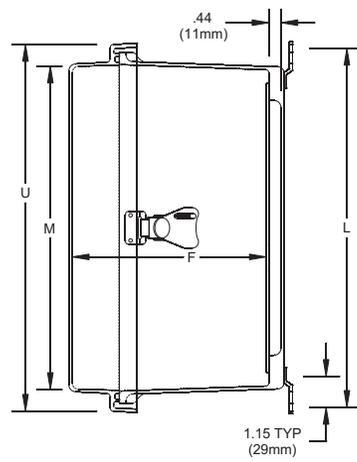
- Strong, molded ULTRAGUARD® fiberglass reinforced polyester material construction with matching raised cover
- UV resistant polycarbonate viewing window
- 316 stainless steel twist latches feature padlock hasp (.375" dia.)
- Continuous 316 stainless steel hinge
- Formed-In-Place (FIP) polyurethane gasket system encased in continuous channel
- 316 stainless steel wall mounting feet with 10-32 stainless steel screws included
- #10-32 threaded brass inserts for optional back panel installation
- JIC sizes
- ULTRAGUARD® fiberglass material is easily punched, drilled, or sawed
- UV stabilized for outdoor use

Accessories & Modifications

- Optional back panels and hinged front panels
- Custom holes and cutouts
- Hinge installed on short side
- Molded-in color matching
- EMI/RFI shielding
- Factory-supplied silk screening



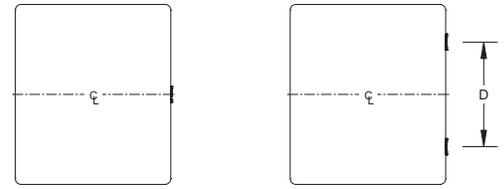
Note: Cover removed for clarity



Nominal 1/8" (3mm) wall thickness

LATCH LOCATIONS

- FOR USE ON:
- | | | |
|----------|---------------------------|--------------------------|
| 6x6x4 | 12x10x6 D=8.00 (203 mm) | 16x14x8 D=8.54 (217 mm) |
| 8x6x4 | 12x12x4.6 D=8.00 (203 mm) | 18x16x8 D=6.50 (165 mm) |
| 10x8x4.6 | 14x12x6 D=8.54 (217 mm) | 20x16x8 D=10.52 (267 mm) |



Part No.	Box Size			Usable Depth	Panel Boss Centers			Panel Sizes			Foot Mount Centers		Cover Size				Window Dimension (Height x Width)
	A	B	C		F	S	Z	Ht.	Wid.	P/N	H	L	K	M	U	W	
AM664RTW	6.10	6.10	4.18	5.18	4.25	4.25	4.81	4.81	PL66 PLA66	5.01	7.32	6.08	6.08	7.69	7.69	4.25 x 4.25	
	155mm	155mm	106mm	131mm	108mm	108mm	122mm	122mm		127mm	186mm	154mm	154mm	195mm	195mm	108mm x 108mm	
AM864RTW	8.00	6.13	4.14	5.10	6.25	4.25	6.75	4.88	PL86 PLA86	5.02	9.20	7.71	7.98	9.59	7.71	6.25 x 4.25	
	203mm	156mm	105mm	130mm	159mm	108mm	171mm	124mm		127mm	234mm	196mm	203mm	244mm	196mm	159mm x 108mm	
AM1084RTW	10.14	8.26	4.13	5.10	8.25	6.25	8.75	6.88	PL108 PLA108	7.01	11.19	8.29	10.16	11.73	9.90	8.38 x 6.50	
	258mm	210mm	105mm	130mm	210mm	159mm	222mm	175mm		178mm	284mm	211mm	258mm	299mm	251mm	213mm x 165mm	
AM1086RTW	10.14	8.26	6.13	7.12	8.25	6.25	8.75	6.88	PL108 PLA108	7.01	11.19	8.29	10.16	11.73	9.85	8.38 x 6.50	
	258mm	210mm	156mm	181mm	210mm	159mm	222mm	175mm		178mm	284mm	211mm	258mm	298mm	250mm	213mm x 165mm	
AM1206RTW	12.14	10.26	6.13	7.10	10.25	8.25	10.75	8.88	PL120 PLA120	9.01	13.19	10.29	12.16	13.73	11.85	10.38 x 8.50	
	308mm	261mm	156mm	180mm	260mm	210mm	273mm	225mm		229mm	335mm	261mm	309mm	349mm	301mm	264mm x 216mm	
AM1224RTW	12.14	12.14	4.13	5.15	10.25	10.25	10.75	10.75	PL122 PLA122	11.01	13.32	12.16	12.16	13.72	13.72	10.38 x 10.38	
	308mm	308mm	105mm	131mm	260mm	260mm	273mm	273mm		280mm	338mm	309mm	309mm	348mm	348mm	264mm x 264mm	
AM1226RTW	12.14	12.14	6.13	7.15	10.25	10.25	10.75	10.75	PL122 PLA122	11.01	13.32	12.16	12.16	13.72	13.72	10.38 x 10.38	
	308mm	308mm	156mm	182mm	260mm	260mm	273mm	273mm		280mm	338mm	309mm	309mm	348mm	348mm	264mm x 264mm	
AM1426RTW	14.14	12.26	6.13	7.10	12.25	10.25	12.75	10.88	PL142 PLA142	11.03	15.19	12.29	14.16	15.73	13.85	12.38 x 10.50	
	359mm	312mm	156mm	180mm	311mm	260mm	324mm	276mm		280mm	386mm	312mm	360mm	399mm	352mm	314mm x 267mm	
AM1648RTW	16.27	14.40	8.13	9.10	14.25	12.25	14.75	12.88	P164 PA164	13.01	17.19	13.70	15.57	17.87	15.99	13.00 x 11.00	
	413mm	366mm	207mm	231mm	362mm	311mm	375mm	327mm		330mm	437mm	348mm	395mm	454mm	406mm	330mm x 279mm	
AM1868RTW	18.40	16.40	8.13	9.11	16.25	14.25	16.88	14.88	P186 PA186	14.97	19.28	15.70	17.70	20.00	18.00	14.00 x 12.00	
	467mm	417mm	207mm	231mm	413mm	362mm	429mm	378mm		380mm	490mm	399mm	450mm	508mm	457mm	356mm x 305mm	
AM2068RTW	20.00	16.00	8.13	9.10	17.81	13.81	18.44	14.44	P206 PA206	14.54	20.84	15.27	19.27	21.59	17.59	15.00 x 11.00	
	508mm	406mm	207mm	231mm	452mm	351mm	468mm	367mm		369mm	529mm	388mm	489mm	548mm	447mm	381mm x 279mm	

All dimensions are in inches unless otherwise noted
 Enclosure base part numbers come standard with 4 separately bagged feet (ex. AM664RTW)
 Additional back panels found on page 128

Data subject to change without notice



AMHD-R Series

HEAVY DUTY
SOLAR BATTERY BOX

Cover Type

Raised Solid/Opaque

Closure Type

Snap Latch Hinged Cover



Application

Designed to insulate and house solar storage batteries for various telemetry applications in outdoor locations

- Especially well suited for high temperature or corrosive environments
- Protects from dirt, dust, oil and water

Standards

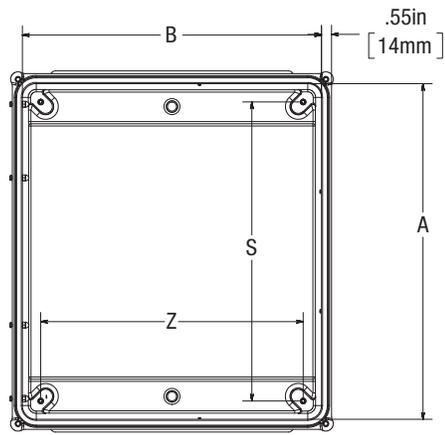
- UL 50 and UL 50E Types 1, 2, 3, 3R, 4, 4X, 12 and 13
- CSA C22.2 No. 94 Types 1, 2, 3, 3R, 4, 4X, 12 and 13
- Complies with:
 - NEMA Types 1, 2, 3, 3R, 4, 4X, 12 and 13
 - IEC 60529 Type IP66
 - RoHS directive

Construction

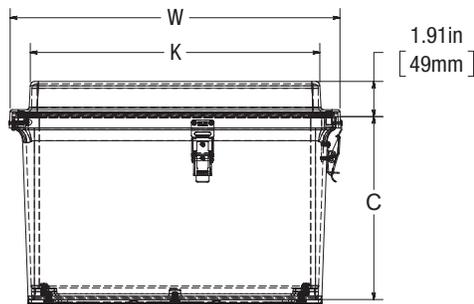
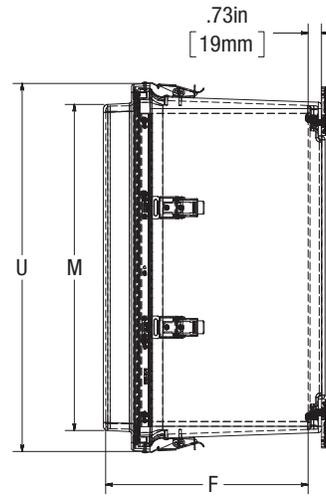
- Strong, molded ULTRAGUARD® fiberglass reinforced polyester material construction with matching raised cover
- 316 stainless steel snap latches feature padlock hasp (.375" dia.)
- Formed-In-Place (FIP) polyurethane gasket system encased in continuous channel
- Polycarbonate flanges installed with (4) 316 series stainless steel screws
- #10-32 threaded brass inserts are installed for optional back panel
- ULTRAGUARD® fiberglass material is easily punched, drilled, or sawed
- UV stabilized for outdoor use

Accessories & Modifications

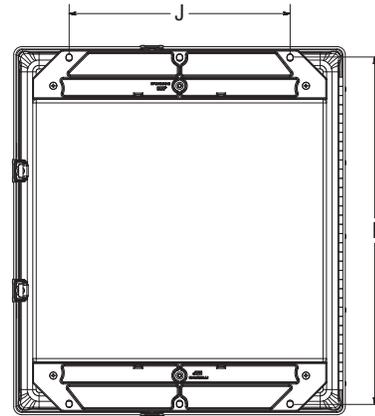
- Optional back panels
- Pole mount kits available
- Custom holes and cutouts
- Custom size polycarbonate viewing windows
- Molded-in color matching
- EMI/RFI shielding
- Factory-supplied silk screening



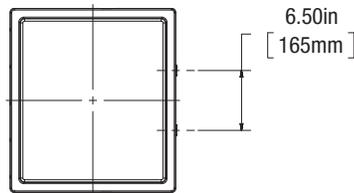
NOTE: REMOVED COVER FOR CLARITY



Nominal .200" (5mm) wall thickness



LATCH LOCATIONS



Part No.	Box Size			Usable Depth	Panel Boss Centers		Panel Sizes			Flange Mount Centers		Cover Size			
	A	B	C		F	S	Z	Ht.	Wid.	P/N	J	I	K	M	U
AMHD1860RLF	18.24	16.24	10.13	11.01	16.25	14.25	16.88	14.88	P186 PA186	12.00	18.88, 18.76	15.22	17.72	19.91	17.91
	463mm	412mm	257mm	280mm	413mm	362mm	429mm	378mm		305mm	480mm, 477mm	387mm	450mm	506mm	455mm

All dimensions are in inches unless otherwise noted
Additional back panels found on page 128

Data subject to change without notice



STANDARDS
ULTRAGUARD®
FIBERGLASS
AM SERIES
AM-R
AMHD-R
CONTROL
EMPIRE
ULTRALINE®
POLYLINE®
ACCESSORIES
MODS
TECHNICAL
INDEX