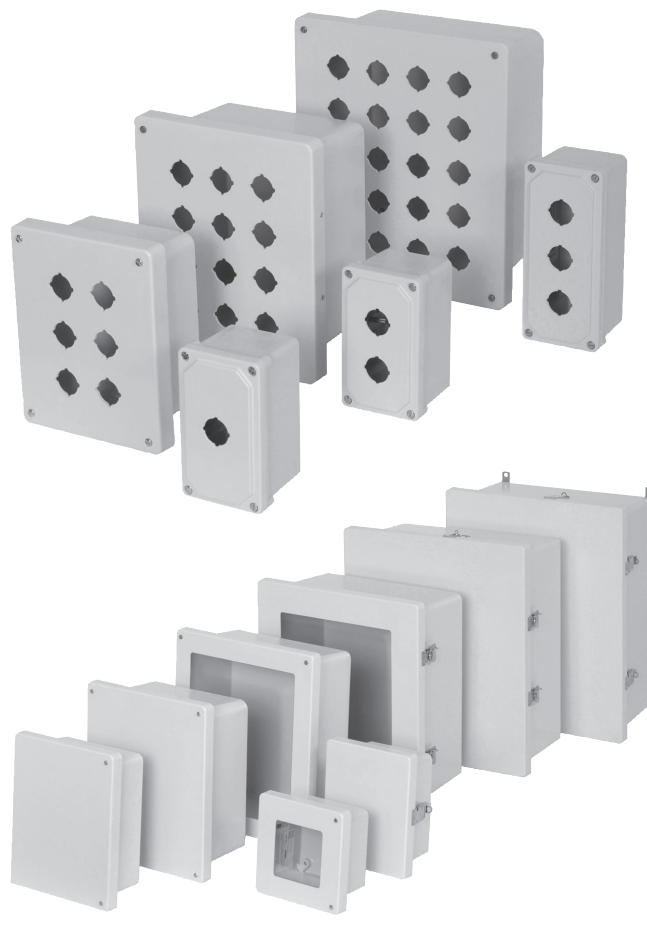




AM SERIES FIBERGLASS

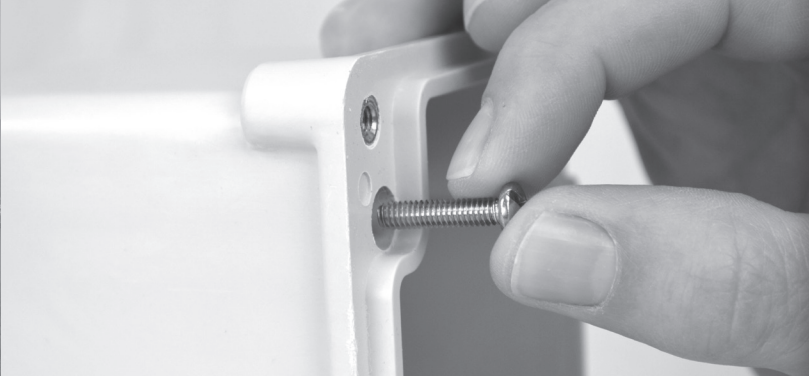
AM Series boxes are designed to insulate and protect controls and components in both indoor and outdoor applications and are especially well suited for high temperature or corrosive environments. They feature flat covers with a variety of latching options that allow you to provide the level of security and ease of access needed for each application.

The AM Series offers a wide variety of sizes and configurations including small junction boxes; inline pushbutton enclosures in one, two, or three-hole configurations and two hole sizes; and standard JIC size enclosures.



Scan to learn more





AM Series Features & Benefits

- Molded ULTRAGUARD® fiberglass reinforced polyester (FRP) material construction for durability
- Continuous 316 stainless steel hinge
- Formed-In-Place (FIP) polyurethane gasket system
- Matching flat cover
- 316 stainless steel hardware and mounting feet
- Mounting panel inserts for optional back panel
- UV stabilized for outdoor use

AM Series Specifications

- Non-corrosive
- Non-conductive
- Standard RAL 7035 light gray color
- Temperature-resistant
- Fire-resistant
- Rated NEMA 1, 2, 3, 3R, 4, 4X, 12, 13
- UL® listed
- CSA certified
- Compliant with RoHS directive

Accessories

- Back panels available in painted carbon steel, aluminum, fiberglass, or galvanized steel
- ULTRAPLUG® hole plugs
- Pole mount kits
- HMI cover kits
- Inspection windows
- UV resistant polycarbonate viewing windows

Modifications

We are pleased to modify any of our standard products to fit your needs with:

- Custom holes and cutouts
- Custom size polycarbonate viewing windows
- Molded-in color matching
- Hinge installed on short side
- EMI/RFI shielding
- Factory-supplied silk screening

For complete details on factory modifications including a modification request form, see pages 142-144.

www.alliedmoulded.com

AM Series

SMALL JUNCTION BOXES

Cover Type

Solid/Opaque

Closure Type

Lift-Off Screw Cover



Application

Designed for use as electrical junction boxes, terminal wiring boxes, instrumentation housings, and electrical control enclosures

- Especially well suited for high temperature or corrosive environments
- Protects from dirt, dust, oil and water
- For use with industrial control equipment

Standards

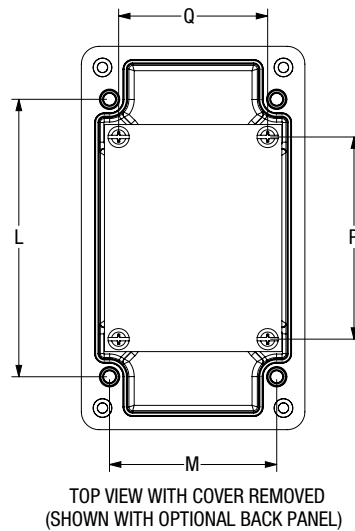
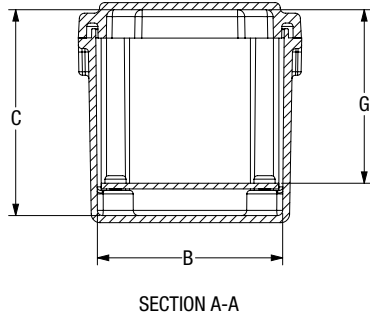
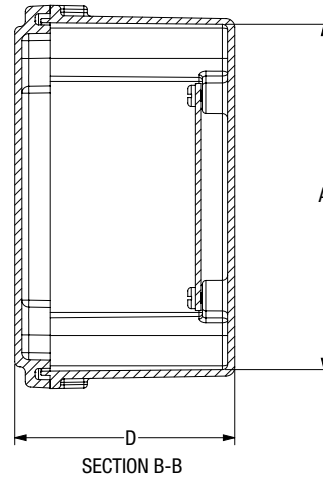
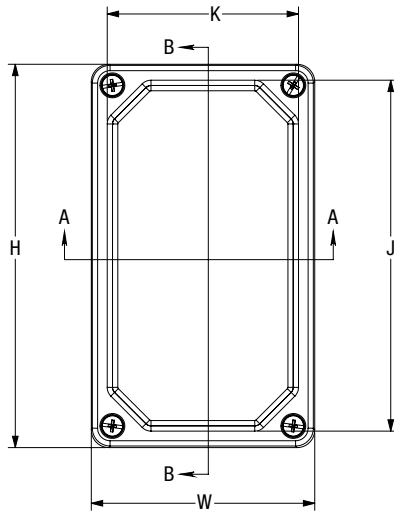
- UL 50 and UL 50E Types 1, 2, 3, 3R, 4, 4X, 12 and 13
- CSA C22.2 No. 94 Types 1, 2, 3, 3R, 4, 4X, 12 and 13
- Complies with:
 - NEMA Types 1, 2, 3, 3R, 4, 4X, 12 and 13
 - IEC 60529 Type IP66
 - RoHS directive

Construction

- Rugged, molded ULTRAGUARD® fiberglass reinforced polyester material construction with reinforced corners
- Two sizes: 7"x4"x3" and 9"x4"x3"
- 316 stainless steel captive cover screws
- Formed-In-Place (FIP) polyurethane gasket system encased in continuous channel
- 316 stainless steel wall mounting feet with 10-32 stainless steel screws included
- #10-32 threaded brass inserts for optional back panel installation
- UV stabilized for outdoor use

Accessories & Modifications

- Optional back panels
- Custom holes & cutouts
- Custom size polycarbonate viewing windows
- Molded-in color matching
- EMI/RFI shielding
- Factory-supplied silk screening



*Nom. Wall Thickness: .125 (3.2mm)

Part No.	Overall			Inside				Panel Sizes			J	K	L	M	P	Q
	H	W	D	A	B	C	G	Ht.	Wid.	P/N						
AM743	6.74	3.95	3.88	6.01	3.26	3.63	3.08	4.00	3.13	PA74 PF74	6.13	3.31	4.89	2.95	3.56	2.63
	171mm	100mm	98mm	153mm	83mm	92mm	78mm	102mm	80mm		156mm	84mm	124mm	75mm	90mm	67mm
*AM743SF	6.74	3.95	3.88	6.01	3.26	3.63	3.08	4.00	3.13	PA74 PF74	6.13	3.31	4.89	2.95	3.56	2.63
	171mm	100mm	98mm	153mm	83mm	92mm	78mm	102mm	80mm		156mm	84mm	124mm	75mm	90mm	67mm
AM943	8.99	3.93	3.88	8.26	3.26	3.63	3.08	6.25	3.13	PA94 PF94	8.31	3.31	7.13	2.94	5.81	2.63
	228mm	100mm	98mm	210mm	83mm	92mm	78mm	159mm	80mm		211mm	84mm	181mm	75mm	148mm	67mm
*AM943SF	8.99	3.93	3.88	8.26	3.26	3.63	3.08	6.25	3.13	PA94 PF94	8.31	3.31	7.13	2.94	5.81	2.63
	228mm	100mm	98mm	210mm	83mm	92mm	78mm	159mm	80mm		211mm	84mm	181mm	75mm	148mm	67mm

All dimensions are in inches unless otherwise noted

Data subject to change without notice

*Available with or without stainless steel mounting feet. Suffix "SF" denotes box without mounting feet.

Additional back panels found on page 128



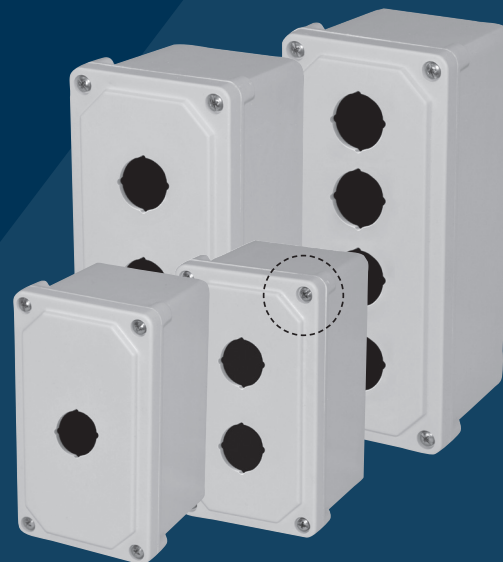
AM Series PUSHBUTTON ENCLOSURES

Cover Type

Solid/Opaque

Closure Type

Inline Lift-Off Screw Cover



Application

Designed to insulate and house pushbuttons and switches in applications that require a human-machine interface

- Especially well suited for high temperature or corrosive environments
- Protects from dirt, dust, oil and water
- For use with industrial control equipment

Standards

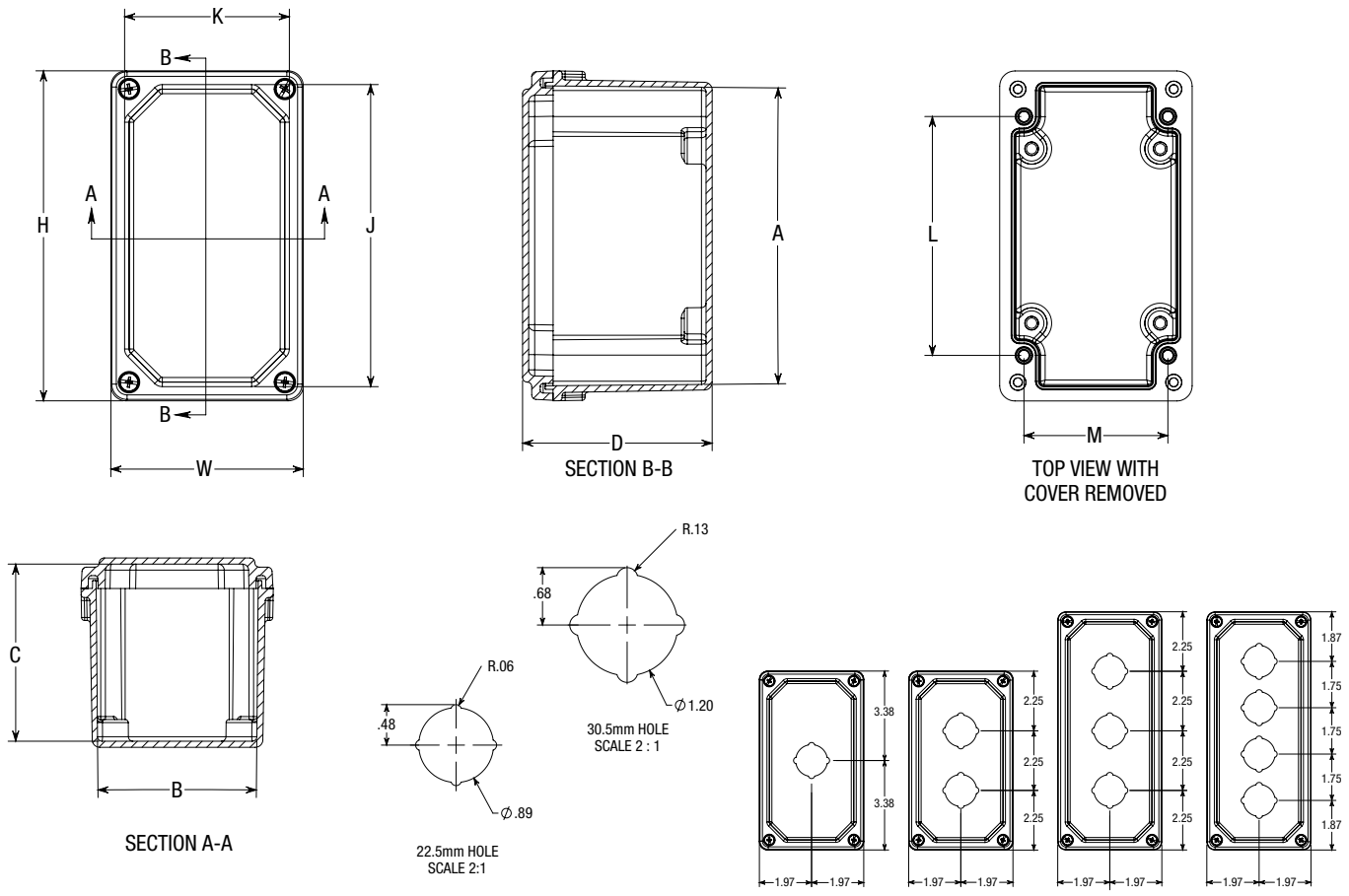
- UL 50 and UL 50E Types 1, 2, 3, 3R, 4, 4X, 12 and 13
- CSA C22.2 No. 94 Types 1, 2, 3, 3R, 4, 4X, 12 and 13
- Complies with:
 - NEMA Types 1, 2, 3, 3R, 4, 4X, 12 and 13
 - IEC 60529 Type IP66
 - RoHS directive

Construction

- Rugged, molded ULTRAGUARD® fiberglass reinforced polyester material construction with reinforced corners
- Available with either 30.5mm or 22.5mm holes
- 316 stainless steel captive cover screws
- Formed-In-Place (FIP) polyurethane gasket system encased in continuous channel
- Grounding strap included
- UV stabilized for outdoor use

Accessories & Modifications

- Molded-in color matching
- EMI/RFI shielding
- Factory-supplied silk screening



*Nom. Wall Thickness: .125 (3.2mm)

Part No.	Overall			Inside							Holes	PB Size
	H	W	D	A	B	C	J	K	L	M		
AM1PB	6.74	3.95	3.88	6.01	3.26	3.63	6.13	3.31	4.89	2.95	1	30.5mm
	171mm	100mm	98mm	153mm	83mm	92mm	156mm	84mm	124mm	75mm	1	
AM1PB22	6.74	3.95	3.88	6.01	3.26	3.63	6.13	3.31	4.89	2.95	1	22.5mm
	171mm	100mm	98mm	153mm	83mm	92mm	156mm	84mm	124mm	75mm	1	
AM2PB	6.74	3.95	3.88	6.01	3.26	3.63	6.13	3.31	4.89	2.95	2	30.5mm
	171mm	100mm	98mm	153mm	83mm	92mm	156mm	84mm	124mm	75mm	2	
AM2PB22	6.74	3.95	3.88	6.01	3.26	3.63	6.13	3.31	4.89	2.95	2	22.5mm
	171mm	100mm	98mm	153mm	83mm	92mm	156mm	84mm	124mm	75mm	2	
AM3PB	8.99	3.93	3.88	8.26	3.26	3.63	8.31	3.31	7.13	2.94	3	30.5mm
	228mm	100mm	98mm	210mm	83mm	92mm	211mm	84mm	181mm	75mm	3	
AM3PB22	8.99	3.93	3.88	8.26	3.26	3.63	8.31	3.31	7.13	2.94	3	22.5mm
	228mm	100mm	98mm	210mm	83mm	92mm	211mm	84mm	181mm	75mm	3	
AM4PB	8.99	3.93	3.88	8.26	3.26	3.63	8.31	3.31	7.13	2.94	4	30.5mm
	228mm	100mm	98mm	210mm	83mm	92mm	211mm	84mm	181mm	75mm	4	
AM4PB22	8.99	3.93	3.88	8.26	3.26	3.63	8.31	3.31	7.13	2.94	4	22.5mm
	228mm	100mm	98mm	210mm	83mm	92mm	211mm	84mm	181mm	75mm	4	

All dimensions are in inches unless otherwise noted
 Note: Mounting feet are not included as standard.

Data subject to change without notice



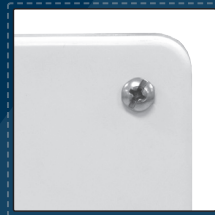
AM Series PUSHBUTTON ENCLOSURES

Cover Type

Flat Solid/Opaque

Closure Type

Multi-Hole Lift-Off Screw Cover



Application

Designed to insulate and house pushbuttons and switches in applications that require a human-machine interface

- Especially well suited for high temperature or corrosive environments
- Protects from dirt, dust, oil and water
- For use with industrial control equipment

Standards

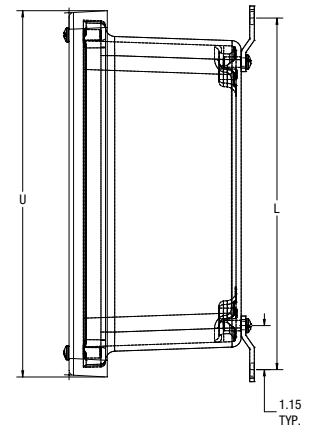
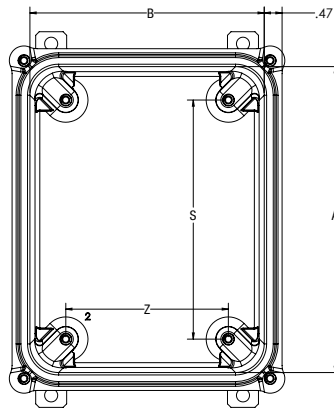
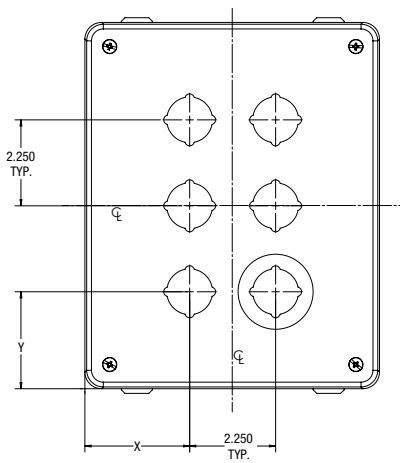
- UL 50 and UL 50E Types 1, 2, 3, 3R, 4, 4X, 12 and 13
- CSA C22.2 No. 94 Types 1, 2, 3, 3R, 4, 4X, 12 and 13
- Complies with:
 - NEMA Types 1, 2, 3, 3R, 4, 4X, 12 and 13
 - IEC 60529 Type IP66
 - RoHS directive

Construction

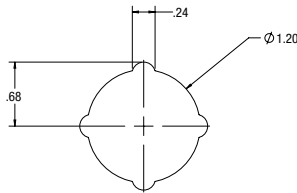
- Constructed to requirements of CSA Enc. 5 based on standard component cutout
- Strong, molded ULTRAGUARD® fiberglass reinforced polyester material construction with matching flat cover
- 316 stainless steel captive cover screws
- Formed-In-Place (FIP) polyurethane gasket system encased in continuous channel
- 316 stainless steel wall mounting feet with 10-32 threaded brass inserts for optional back panel installation
- Standard 30.5mm hole size
- UV stabilized for outdoor use

Accessories & Modifications

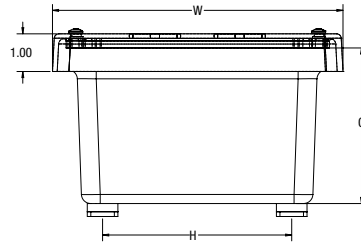
- Optional back panels
- Molded-in color matching
- EMI/RFI shielding
- Factory-supplied silk screening
- Optional 22.5mm holes (add "22" suffix to part number)



NOTE: COVER REMOVED FOR CLARITY

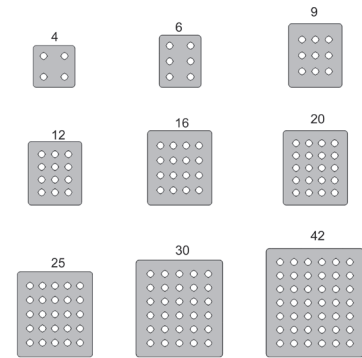


30.5 MM HOLE DETAIL
STANDARD 4-WAY
(OPTIONAL 22.5MM HOLES AVAILABLE)



NOMINAL 1/8" WALL THICKNESS

Pushbutton Arrangements



Note: To order product with 22.5mm holes, please add "22" suffix to part number (e.g., AM664HP422) and contact customer service for lead times.

Part No.	Box Size			Usable Depth F	Panel Boss Centers		Panel Sizes		Foot Mount Centers H L	Cover Size		No. of Holes	X Y			
	A	B	C		S	Z	Ht.	Wid.		P/N	U		W	X	Y	
AM664P4	6.10	6.10	4.18	3.76	4.25	4.25	4.81	4.81	PL66 PLA66	5.01	7.32	7.69	7.69	4	2.72	2.72
	155mm	155mm	106mm	95mm	108mm	108mm	122mm	122mm		127mm	186mm	195mm	195mm		69mm	69mm
AM864P6	8.00	6.13	4.14	3.71	6.25	4.25	6.75	4.88	PL86 PLA86	5.02	9.20	9.59	7.71	6	2.72	2.55
	203mm	156mm	105mm	94mm	159mm	108mm	171mm	124mm		127mm	234mm	244mm	196mm		69mm	65mm
AM1084P9	10.14	8.26	4.13	3.68	8.25	6.25	8.75	6.88	PL108 PLA108	7.01	11.19	11.73	9.90	9	2.68	3.62
	258mm	210mm	105mm	93mm	210mm	159mm	222mm	175mm		178mm	284mm	299mm	251mm		68mm	92mm
AM1086P9	10.14	8.26	6.13	5.68	8.25	6.25	8.75	6.88	PL108 PLA108	7.01	11.19	11.73	9.85	9	2.68	3.62
	258mm	210mm	156mm	144mm	210mm	159mm	222mm	175mm		178mm	284mm	298mm	250mm		68mm	92mm
AM1086P12	10.14	8.26	6.13	5.68	8.25	6.25	8.75	6.88	PL108 PLA108	7.01	11.19	11.73	9.85	12	2.68	2.49
	258mm	210mm	156mm	144mm	210mm	159mm	222mm	175mm		178mm	284mm	298mm	250mm		68mm	63mm
AM1206P16	12.14	10.26	6.13	5.68	10.25	8.25	10.75	8.88	PL120 PLA120	9.03	13.19	13.73	11.85	16	2.55	3.49
	308mm	261mm	156mm	144mm	260mm	210mm	273mm	225mm		229mm	335mm	349mm	301mm		65mm	89mm
AM1206P20	12.14	10.26	6.13	5.68	10.25	8.25	10.75	8.88	PL120 PLA120	9.03	13.19	13.73	11.85	20	2.55	2.37
	308mm	261mm	156mm	144mm	260mm	210mm	273mm	225mm		229mm	335mm	349mm	301mm		65mm	60mm
AM1426P25	14.14	12.26	6.13	5.71	12.25	10.25	12.75	10.88	PL142 PLA142	11.03	15.19	15.73	13.85	25	2.43	3.37
	359mm	312mm	156mm	145mm	311mm	260mm	324mm	276mm		280mm	386mm	399mm	352mm		62mm	86mm
AM1648P30	16.27	14.40	8.13	7.68	14.25	12.25	14.75	12.88	P164 PA164	13.01	17.19	17.87	15.99	30	3.50	3.31
	413mm	366mm	207mm	195mm	362mm	311mm	375mm	327mm		330mm	437mm	454mm	406mm		89mm	84mm
AM1868P42	18.40	16.40	8.13	7.69	16.25	14.25	16.88	14.88	P186 PA186	14.97	19.28	20.00	18.00	42	3.38	3.25
	467mm	417mm	207mm	195mm	413mm	362mm	429mm	378mm		380mm	490mm	508mm	457mm		86mm	83mm

All dimensions are in inches unless otherwise noted

Enclosure base part numbers come standard with 4 separately bagged feet (ex. AM664P4)

Additional back panels found on page 128

Data subject to change without notice



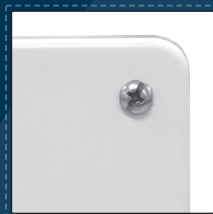
AM Series PUSHBUTTON ENCLOSURES

Cover Type

Flat Solid/Opaque

Closure Type

Multi-Hole Hinged Screw Cover



Application

Designed to insulate and house pushbuttons and switches in applications that require a human-machine interface

- Especially well suited for high temperature or corrosive environments
- Protects from dirt, dust, oil and water
- For use with industrial control equipment

Standards

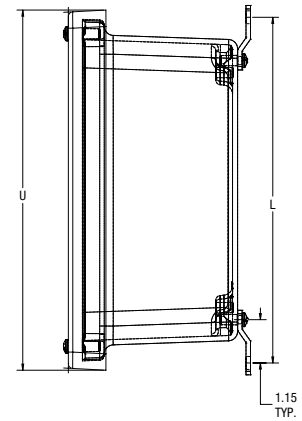
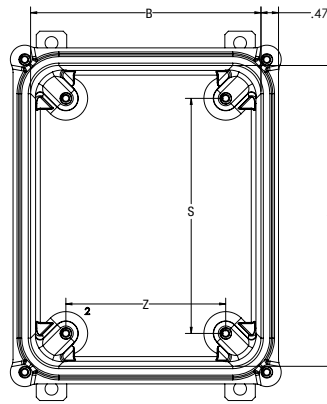
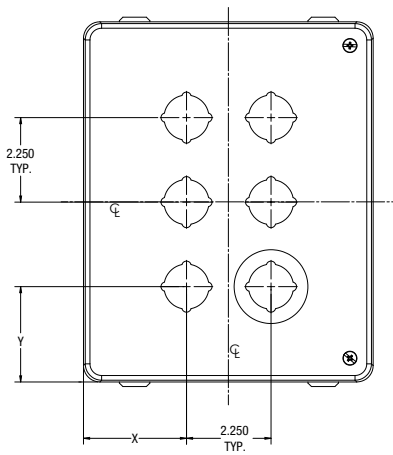
- UL 50 and UL 50E Types 1, 2, 3, 3R, 4, 4X, 12 and 13
- CSA C22.2 No. 94 Types 1, 2, 3, 3R, 4, 4X, 12 and 13
- Complies with:
 - NEMA Types 1, 2, 3, 3R, 4, 4X, 12 and 13
 - IEC 60529 Type IP66
 - RoHS directive

Construction

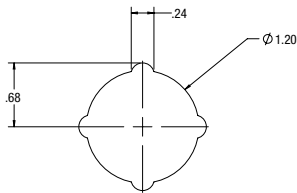
- Constructed to requirements of CSA Enc. 5 based on standard component cutout
- Strong, molded ULTRAGUARD® fiberglass reinforced polyester material construction with matching flat cover
- 316 stainless steel captive cover screws
- Formed-In-Place (FIP) polyurethane gasket system encased in continuous channel
- 316 stainless steel wall mounting feet with 10-32 threaded brass inserts for optional back panel installation
- Standard 30.5mm hole size
- UV stabilized for outdoor use

Accessories & Modifications

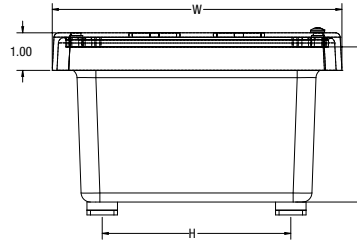
- Optional back panels
- Molded-in color matching
- EMI/RFI shielding
- Factory-supplied silk screening
- Optional 22.5mm holes (add "22" suffix to part number)



NOTE: COVER REMOVED FOR CLARITY

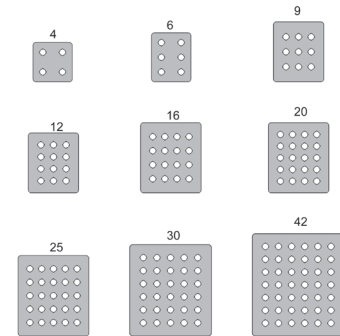


30.5 MM HOLE DETAIL
STANDARD 4-WAY
(OPTIONAL 22.5MM HOLES AVAILABLE)



NOMINAL 1/8" WALL THICKNESS

Pushbutton Arrangements



Note: To order product with 22.5mm holes, please add "22" suffix to part number (e.g., AM664HP422) and contact customer service for lead times.

Part No.	Box Size			Usable Depth F	Panel Boss Centers		Panel Sizes		Foot Mount Centers H L	Cover Size		No. of Holes	X Y			
	A	B	C		S	Z	Ht.	Wid.		P/N	U		W	X	Y	
AM664HP4	6.10	6.10	4.18	3.76	4.25	4.25	4.81	4.81	PL66 PLA66	5.01	7.32	7.69	7.69	4	2.72	2.72
	155mm	155mm	106mm	95mm	108mm	108mm	122mm	122mm		127mm	186mm	195mm	195mm		69mm	69mm
AM864HP6	8.00	6.13	4.14	3.71	6.25	4.25	6.75	4.88	PL86 PLA86	5.02	9.20	9.59	7.71	6	2.72	2.55
	203mm	156mm	105mm	94mm	159mm	108mm	171mm	124mm		127mm	234mm	244mm	196mm		69mm	65mm
AM1084HP9	10.14	8.26	4.13	3.68	8.25	6.25	8.75	6.88	PL108 PLA108	7.01	11.19	11.73	9.90	9	2.68	3.62
	258mm	210mm	105mm	93mm	210mm	159mm	222mm	175mm		178mm	284mm	299mm	251mm		68mm	92mm
AM1086HP9	10.14	8.26	6.13	5.68	8.25	6.25	8.75	6.88	PL108 PLA108	7.01	11.19	11.73	9.85	9	2.68	3.62
	258mm	210mm	156mm	144mm	210mm	159mm	222mm	175mm		178mm	284mm	298mm	250mm		68mm	92mm
AM1086HP12	10.14	8.26	6.13	5.68	8.25	6.25	8.75	6.88	PL108 PLA108	7.01	11.19	11.73	9.85	12	2.68	2.49
	258mm	210mm	156mm	144mm	210mm	159mm	222mm	175mm		178mm	284mm	298mm	250mm		68mm	63mm
AM1206HP16	12.14	10.26	6.13	5.68	10.25	8.25	10.75	8.88	PL120 PLA120	9.03	13.19	13.73	11.85	16	2.55	3.49
	308mm	261mm	156mm	144mm	260mm	210mm	273mm	225mm		229mm	335mm	349mm	301mm		65mm	89mm
AM1206HP20	12.14	10.26	6.13	5.68	10.25	8.25	10.75	8.88	PL120 PLA120	9.03	13.19	13.73	11.85	20	2.55	2.37
	308mm	261mm	156mm	144mm	260mm	210mm	273mm	225mm		229mm	335mm	349mm	301mm		65mm	60mm
AM1426HP25	14.14	12.26	6.13	5.71	12.25	10.25	12.75	10.88	PL142 PLA142	11.03	15.19	15.73	13.85	25	2.43	3.37
	359mm	312mm	156mm	145mm	311mm	260mm	324mm	276mm		280mm	386mm	399mm	352mm		62mm	86mm
AM1648HP30	16.27	14.40	8.13	7.68	14.25	12.25	14.75	12.88	P164 PA164	13.01	17.19	17.87	15.99	30	3.50	3.31
	413mm	366mm	207mm	195mm	362mm	311mm	375mm	327mm		330mm	437mm	454mm	406mm		89mm	84mm
AM1868HP42	18.40	16.40	8.13	7.69	16.25	14.25	16.88	14.88	P186 PA186	14.97	19.28	20.00	18.00	42	3.38	3.25
	467mm	417mm	207mm	195mm	413mm	362mm	429mm	378mm		380mm	490mm	508mm	457mm		86mm	83mm

All dimensions are in inches unless otherwise noted

Enclosure base part numbers come standard with 4 separately bagged feet (ex. AM664HP4)

Additional back panels found on page 128

Data subject to change without notice



AM Series

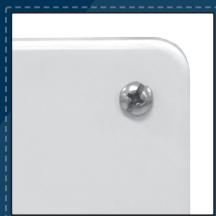
JIC SIZE JUNCTION BOXES

Cover Type

Flat Solid/Opaque

Closure Type

Lift-Off Screw Cover



Application

Designed to insulate and protect controls and components in both indoor and outdoor applications often found in oil refineries, waste water treatment equipment, chemical plants, and many other applications

- Especially well suited for high temperature or corrosive environments
- Protects from dirt, dust, oil and water
- For use with industrial control equipment

Standards

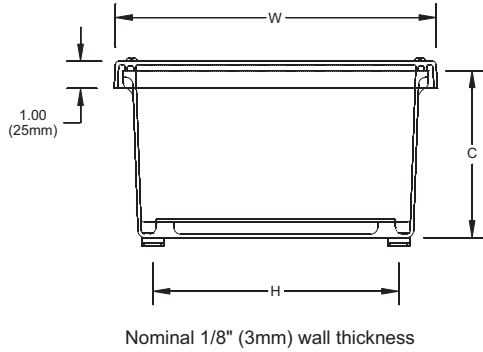
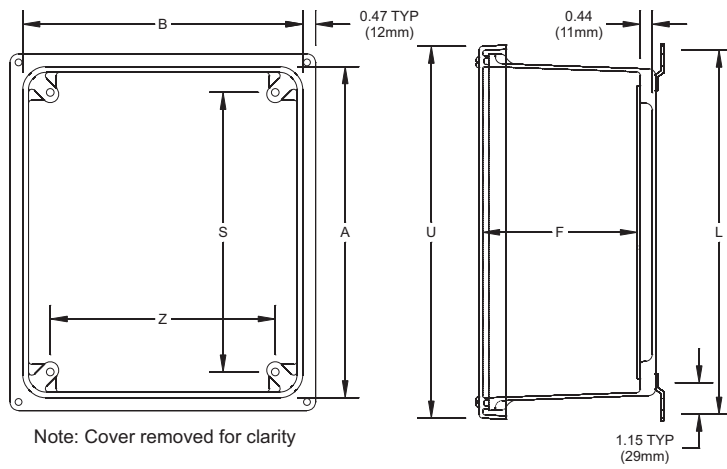
- UL 50 and UL 50E Types 1, 2, 3, 3R, 4, 4X, (6P for sizes 6"x6" up through 14"x12"), 12 and 13
- CSA C22.2 No. 94 Types 1, 2, 3, 3R, 4, 4X, (6P for sizes 6"x6" up through 14"x12"), 12 and 13
- Complies with:
 - NEMA Types 1, 2, 3, 3R, 4, 4X, (6P for sizes 6"x6" up through 14"x12"), 12 and 13
 - IEC 60529 Type IP66 and units rated 6P are IP68 submersible up to 24 hours at a depth of 6 feet (1.8 meters)
 - RoHS directive

Construction

- Strong, molded ULTRAGUARD® fiberglass reinforced polyester material construction with matching flat cover
- 316 stainless steel captive cover screws
- Formed-In-Place (FIP) polyurethane gasket system encased in continuous channel
- 316 stainless steel wall mounting feet with 10-32 stainless steel screws included
- #10-32 threaded brass inserts for optional back panel installation
- JIC sizes
- ULTRAGUARD® fiberglass material is easily punched, drilled, or sawed
- UV stabilized for outdoor use

Accessories & Modifications

- Optional back panels
- Custom holes and cutouts
- Custom size polycarbonate viewing windows
- Molded-in color matching
- EMI/RFI shielding
- Factory-supplied silk screening



Part No.	Box Size			Usable Depth	Panel Boss Centers		Panel Sizes			Foot Mount Centers		Cover Size	
	A	B	C		F	S	Z	Ht.	Wid.	P/N	H	L	U
AM664	6.10	6.10	4.18	3.76	4.25	4.25	4.81	4.81	PL66 PLA66	5.01	7.32	7.69	7.69
	155mm	155mm	106mm	95mm	108mm	108mm	122mm	122mm		127mm	186mm	195mm	195mm
AM864	8.00	6.13	4.14	3.71	6.25	4.25	6.75	4.88	PL86 PLA86	5.02	9.20	9.59	7.71
	203mm	156mm	105mm	94mm	159mm	108mm	171mm	124mm		127mm	234mm	244mm	196mm
AM1084	10.14	8.26	4.13	3.68	8.25	6.25	8.75	6.88	PL108 PLA108	7.01	11.19	11.73	9.90
	258mm	210mm	105mm	93mm	210mm	159mm	222mm	175mm		178mm	284mm	299mm	251mm
AM1086	10.14	8.26	6.13	5.68	8.25	6.25	8.75	6.88	PL108 PLA108	7.01	11.19	11.73	9.85
	258mm	210mm	156mm	144mm	210mm	159mm	222mm	175mm		178mm	284mm	298mm	250mm
AM1206	12.14	10.26	6.13	5.68	10.25	8.25	10.75	8.88	PL120 PLA120	9.01	13.19	13.73	11.85
	308mm	261mm	156mm	144mm	260mm	210mm	273mm	225mm		229mm	335mm	349mm	301mm
AM1224	12.14	12.14	4.13	3.73	10.25	10.25	10.75	10.75	PL122 PLA122	11.01	13.32	13.72	13.72
	308mm	308mm	105mm	95mm	260mm	260mm	273mm	273mm		280mm	338mm	348mm	348mm
AM1226	12.14	12.14	6.13	5.73	10.25	10.25	10.75	10.75	PL122 PLA122	11.01	13.32	13.72	13.72
	308mm	308mm	156mm	145mm	260mm	260mm	273mm	273mm		280mm	338mm	348mm	348mm
AM1426	14.14	12.26	6.13	5.71	12.25	10.25	12.75	10.88	PL142 PLA142	11.03	15.19	15.73	13.85
	359mm	312mm	156mm	145mm	311mm	260mm	324mm	276mm		280mm	386mm	399mm	352mm
AM1648	16.27	14.40	8.13	7.68	14.25	12.25	14.75	12.88	P164 PA164	13.01	17.19	17.87	15.99
	413mm	366mm	207mm	195mm	362mm	311mm	375mm	327mm		330mm	437mm	454mm	406mm
AM1868	18.40	16.40	8.13	7.69	16.25	14.25	16.88	14.88	P186 PA186	14.97	19.28	20.00	18.00
	467mm	417mm	207mm	195mm	413mm	362mm	429mm	378mm		380mm	490mm	508mm	457mm
AM2068	20.00	16.00	8.13	7.68	17.81	13.81	18.44	14.44	P206 PA206	14.54	20.84	21.59	17.59
	508mm	406mm	207mm	195mm	452mm	351mm	468mm	367mm		369mm	529mm	548mm	447mm

All dimensions are in inches unless otherwise noted
 Sizes 6" x 6" up through 14" x 12" are rated 6P (IP68)
 Enclosure base part numbers come standard with 4 separately bagged feet (ex. AM664)
 Additional back panels found on page 128

Data subject to change without notice



AM Series

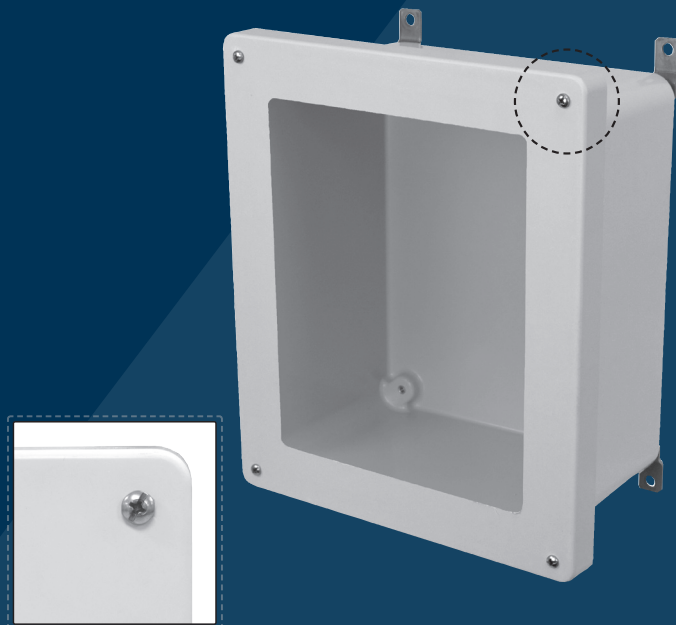
JIC SIZE JUNCTION BOXES

Cover Type

Flat Viewing Window

Closure Type

Lift-Off Screw Cover



Application

Designed to insulate and protect controls and components in both indoor and outdoor applications often found in oil refineries, waste water treatment equipment, chemical plants, and many other applications

- Especially well suited for high temperature or corrosive environments
- Protects from dirt, dust, oil and water
- For use with industrial control equipment
- Window unit provides viewing area for instrumentation or equipment

Standards

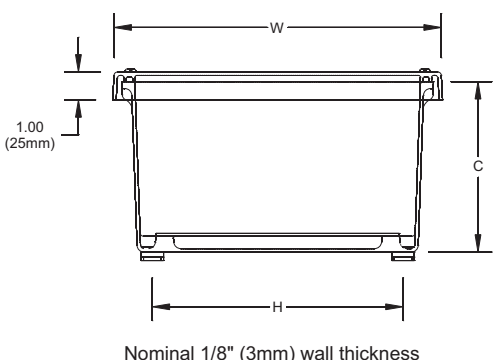
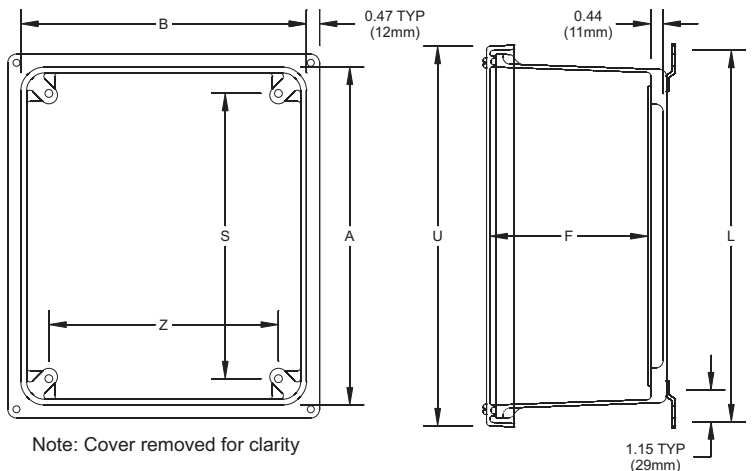
- UL 50 and UL 50E Types 1, 2, 3, 3R, 4, 4X, 12 and 13
- CSA C22.2 No. 94 Types 1, 2, 3, 3R, 4, 4X, 12 and 13
- Complies with:
 - NEMA Types 1, 2, 3, 3R, 4, 4X, 12 and 13
 - IEC 60529 Type IP66
 - RoHS directive

Construction

- Strong, molded ULTRAGUARD® fiberglass reinforced polyester material construction with matching flat cover
- UV resistant polycarbonate viewing window
- 316 stainless steel captive cover screws
- Formed-In-Place (FIP) polyurethane gasket system encased in continuous channel
- 316 stainless steel wall mounting feet with 10-32 stainless steel screws included
- #10-32 threaded brass inserts for optional back panel installation
- JIC sizes
- ULTRAGUARD® fiberglass material is easily punched, drilled, or sawed
- UV stabilized for outdoor use

Accessories & Modifications

- Optional back panels
- Custom holes and cutouts
- Molded-in color matching
- EMI/RFI shielding
- Factory-supplied silk screening



Part No.	Box Size			Usable Depth	Panel Boss Centers			Panel Sizes			Foot Mount Centers		Cover Size		Window Dimension (Height x Width)
	A	B	C		F	S	Z	Ht.	Wid.	P/N	H	L	U	W	
AM664W	6.10	6.10	4.18	3.65	4.25	4.25	4.81	4.81	PL66 PLA66	5.01	7.32	7.69	7.69	4.25 x 4.25	
	155mm	155mm	106mm	93mm	108mm	108mm	122mm	122mm		127mm	186mm	195mm	195mm	108mm x 108mm	
AM864W	8.00	6.13	4.14	3.60	6.25	4.25	6.75	4.88	PL86 PLA86	5.02	9.20	9.59	7.71	6.25 x 4.25	
	203mm	156mm	105mm	91mm	159mm	108mm	171mm	124mm		127mm	234mm	244mm	196mm	159mm x 108mm	
AM1084W	10.14	8.26	4.13	3.57	8.25	6.25	8.75	6.88	PL108 PLA108	7.01	11.19	11.73	9.90	8.38 x 6.50	
	258mm	210mm	105mm	91mm	210mm	159mm	222mm	175mm		178mm	284mm	299mm	251mm	213mm x 165mm	
AM1086W	10.14	8.26	6.13	5.57	8.25	6.25	8.75	6.88	PL108 PLA108	7.01	11.19	11.73	9.85	8.38 x 6.50	
	258mm	210mm	156mm	141mm	210mm	159mm	222mm	175mm		178mm	284mm	298mm	250mm	213mm x 165mm	
AM1206W	12.14	10.26	6.13	5.58	10.25	8.25	10.75	8.88	PL120 PLA120	9.01	13.19	13.73	11.85	10.38 x 8.50	
	308mm	261mm	156mm	142mm	260mm	210mm	273mm	225mm		229mm	335mm	349mm	301mm	264mm x 216mm	
AM1224W	12.14	12.14	4.13	3.62	10.25	10.25	10.75	10.75	PL122 PLA122	11.01	13.32	13.72	13.72	10.38 x 10.38	
	308mm	308mm	105mm	92mm	260mm	260mm	273mm	273mm		280mm	338mm	348mm	348mm	264mm x 264mm	
AM1226W	12.14	12.14	6.13	5.62	10.25	10.25	10.75	10.75	PL122 PLA122	11.01	13.32	13.72	13.72	10.38 x 10.38	
	308mm	308mm	156mm	143mm	260mm	260mm	273mm	273mm		280mm	338mm	348mm	348mm	264mm x 264mm	
AM1426W	14.14	12.26	6.13	5.60	12.25	10.25	12.75	10.88	PL142 PLA142	11.03	15.19	15.73	13.85	12.38 x 10.50	
	359mm	312mm	156mm	142mm	311mm	260mm	324mm	276mm		280mm	386mm	399mm	352mm	314mm x 267mm	
AM1648W	16.27	14.40	8.13	7.58	14.25	12.25	14.75	12.88	P164 PA164	13.01	17.19	17.87	15.99	13.00 x 11.00	
	413mm	366mm	207mm	192mm	362mm	311mm	375mm	327mm		330mm	437mm	454mm	406mm	330mm x 279mm	
AM1868W	18.40	16.40	8.13	7.58	16.25	14.25	16.88	14.88	P186 PA186	14.97	19.28	20.00	18.00	14.00 x 12.00	
	467mm	417mm	207mm	192mm	413mm	362mm	429mm	378mm		380mm	490mm	508mm	457mm	356mm x 305mm	
AM2068W	20.00	16.00	8.13	7.58	17.81	13.81	18.44	14.44	P206 PA206	14.54	20.84	21.59	17.59	15.00 x 11.00	
	508mm	406mm	207mm	192mm	452mm	351mm	468mm	367mm		369mm	529mm	548mm	447mm	381mm x 279mm	

All dimensions are in inches unless otherwise noted
Enclosure base part numbers come standard with 4 separately bagged feet (ex. AM664W)
Additional back panels found on page 128

Data subject to change without notice



AM Series

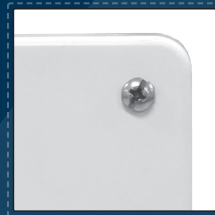
JIC SIZE JUNCTION BOXES

Cover Type

Flat Solid/Opaque

Closure Type

Hinged Screw Cover



Application

Designed to insulate and protect controls and components in both indoor and outdoor applications often found in oil refineries, waste water treatment equipment, chemical plants, and many other applications

- Especially well suited for high temperature or corrosive environments
- Protects from dirt, dust, oil and water
- For use with industrial control equipment

Standards

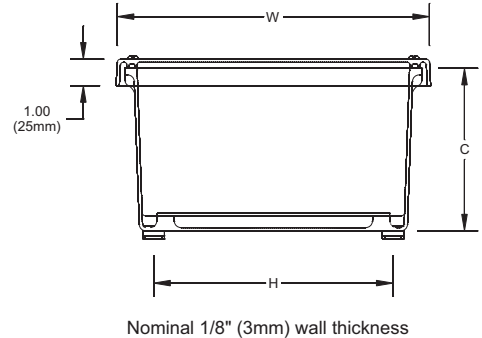
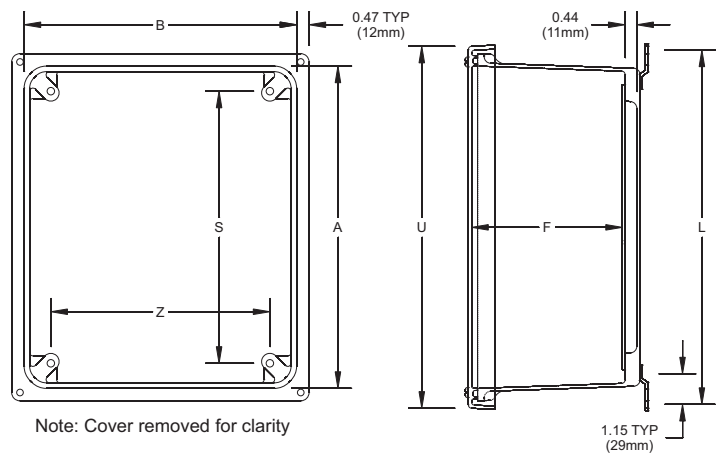
- UL 50 and UL 50E Types 1, 2, 3, 3R, 4, 4X, 12 and 13
- CSA C22.2 No. 94 Types 1, 2, 3, 3R, 4, 4X, 12 and 13
- Complies with:
 - NEMA Types 1, 2, 3, 3R, 4, 4X, 12 and 13
 - IEC 60529 Type IP66
 - RoHS directive

Construction

- Strong, molded ULTRAGUARD® fiberglass reinforced polyester material construction with matching flat cover
- 316 stainless steel captive cover screws
- Continuous 316 stainless steel hinge
- Formed-In-Place (FIP) polyurethane gasket system encased in continuous channel
- 316 stainless steel wall mounting feet with 10-32 stainless steel screws included
- #10-32 threaded brass inserts for optional back panel installation
- JIC sizes
- ULTRAGUARD® fiberglass material is easily punched, drilled, or sawed
- UV stabilized for outdoor use

Accessories & Modifications

- Optional back panels
- Custom holes and cutouts
- Custom size polycarbonate viewing windows
- Hinge installed on short side
- Molded-in color matching
- EMI/RFI shielding
- Factory-supplied silk screening



Part No.	Box Size			Usable Depth	Panel Boss Centers		Panel Sizes			Foot Mount Centers		Cover Size	
	A	B	C		F	S	Z	Ht.	Wid.	P/N	H	L	U
AM664H	6.10	6.10	4.18	3.76	4.25	4.25	4.81	4.81	PL66 PLA66	5.01	7.32	7.69	7.69
	155mm	155mm	106mm	95mm	108mm	108mm	122mm	122mm		127mm	186mm	195mm	195mm
AM864H	8.00	6.13	4.14	3.71	6.25	4.25	6.75	4.88	PL86 PLA86	5.02	9.20	9.59	7.71
	203mm	156mm	105mm	94mm	159mm	108mm	171mm	124mm		127mm	234mm	244mm	196mm
AM1084H	10.14	8.26	4.13	3.68	8.25	6.25	8.75	6.88	PL108 PLA108	7.01	11.19	11.73	9.90
	258mm	210mm	105mm	93mm	210mm	159mm	222mm	175mm		178mm	284mm	299mm	251mm
AM1086H	10.14	8.26	6.13	5.68	8.25	6.25	8.75	6.88	PL108 PLA108	7.01	11.19	11.73	9.85
	258mm	210mm	156mm	144mm	210mm	159mm	222mm	175mm		178mm	284mm	298mm	250mm
AM1206H	12.14	10.26	6.13	5.68	10.25	8.25	10.75	8.88	PL120 PLA120	9.01	13.19	13.73	11.85
	308mm	261mm	156mm	144mm	260mm	210mm	273mm	225mm		229mm	335mm	349mm	301mm
AM1224H	12.14	12.14	4.13	3.73	10.25	10.25	10.75	10.75	PL122 PLA122	11.01	13.32	13.72	13.72
	308mm	308mm	105mm	95mm	260mm	260mm	273mm	273mm		280mm	338mm	348mm	348mm
AM1226H	12.14	12.14	6.13	5.73	10.25	10.25	10.75	10.75	PL122 PLA122	11.01	13.32	13.72	13.72
	308mm	308mm	156mm	145mm	260mm	260mm	273mm	273mm		280mm	338mm	348mm	348mm
AM1426H	14.14	12.26	6.13	5.71	12.25	10.25	12.75	10.88	PL142 PLA142	11.03	15.19	15.73	13.85
	359mm	312mm	156mm	145mm	311mm	260mm	324mm	276mm		280mm	386mm	399mm	352mm
AM1648H	16.27	14.40	8.13	7.68	14.25	12.25	14.75	12.88	P164 PA164	13.01	17.19	17.87	15.99
	413mm	366mm	207mm	195mm	362mm	311mm	375mm	327mm		330mm	437mm	454mm	406mm
AM1868H	18.40	16.40	8.13	7.69	16.25	14.25	16.88	14.88	P186 PA186	14.97	19.28	20.00	18.00
	467mm	417mm	207mm	195mm	413mm	362mm	429mm	378mm		380mm	490mm	508mm	457mm
AM2068H	20.00	16.00	8.13	7.68	17.81	13.81	18.44	14.44	P206 PA206	14.54	20.84	21.59	17.59
	508mm	406mm	207mm	195mm	452mm	351mm	468mm	367mm		369mm	529mm	548mm	447mm

All dimensions are in inches unless otherwise noted
 Enclosure base part numbers come standard with 4 separately bagged feet (ex. AM664H)
 Additional back panels found on page 128
 Data subject to change without notice



AM Series

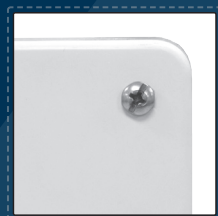
JIC SIZE JUNCTION BOXES

Cover Type

Flat Viewing Window

Closure Type

Hinged Screw Cover



Application

Designed to insulate and protect controls and components in both indoor and outdoor applications often found in oil refineries, waste water treatment equipment, chemical plants, and many other applications

- Especially well suited for high temperature or corrosive environments
- Protects from dirt, dust, oil and water
- For use with industrial control equipment
- Window unit provides viewing area for instrumentation or equipment

Standards

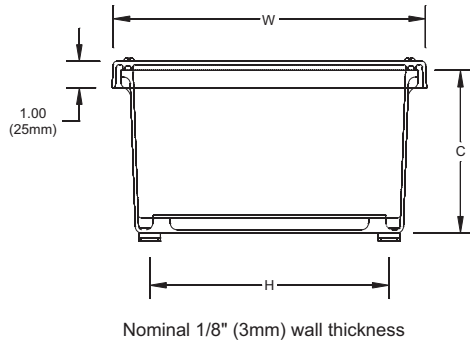
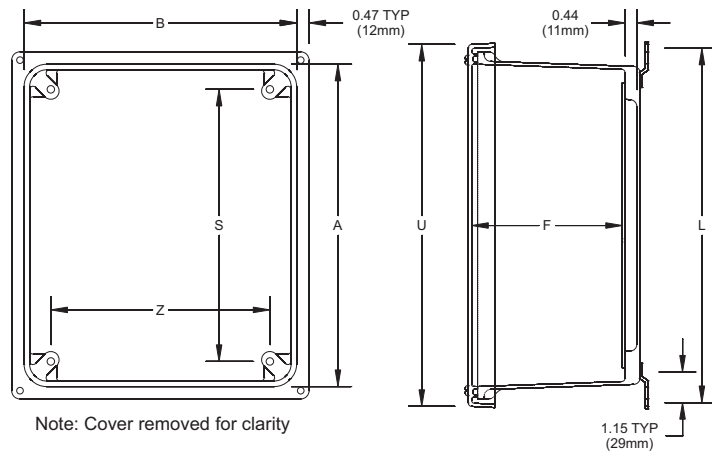
- UL 50 and UL 50E Types 1, 2, 3, 3R, 4, 4X, 12 and 13
- CSA C22.2 No. 94 Types 1, 2, 3, 3R, 4, 4X, 12 and 13
- Complies with:
 - NEMA Types 1, 2, 3, 3R, 4, 4X, 12 and 13
 - IEC 60529 Type IP66
 - RoHS directive

Construction

- Strong, molded ULTRAGUARD® fiberglass reinforced polyester material construction with matching flat cover
- UV resistant polycarbonate viewing window
- 316 stainless steel captive cover screws
- Continuous 316 stainless steel hinge
- Formed-In-Place (FIP) polyurethane gasket system encased in continuous channel
- 316 stainless steel wall mounting feet with 10-32 stainless steel screws included
- #10-32 threaded brass inserts for optional back panel installation
- JIC sizes
- ULTRAGUARD® fiberglass material is easily punched, drilled, or sawed
- UV stabilized for outdoor use

Accessories & Modifications

- Optional back panels
- Custom holes and cutouts
- Hinge installed on short side
- Molded-in color matching
- EMI/RFI shielding
- Factory-supplied silk screening



Part No.	Box Size			Usable Depth	Panel Boss Centers		Panel Sizes			Foot Mount Centers		Cover Size		Window Dimension (Height x Width)
	A	B	C		F	S	Z	Ht.	Wid.	P/N	H	L	U	
AM664HW	6.10	6.10	4.18	3.65	4.25	4.25	4.81	4.81	PL66 PLA66	5.01	7.32	7.69	7.69	4.25 x 4.25
	155mm	155mm	106mm	93mm	108mm	108mm	122mm	122mm		127mm	186mm	195mm	195mm	108mm x 108mm
AM864HW	8.00	6.13	4.14	3.60	6.25	4.25	6.75	4.88	PL86 PLA86	5.02	9.20	9.59	7.71	6.25 x 4.25
	203mm	156mm	105mm	91mm	159mm	108mm	171mm	124mm		127mm	234mm	244mm	196mm	159mm x 108mm
AM1084HW	10.14	8.26	4.13	3.57	8.25	6.25	8.75	6.88	PL108 PLA108	7.01	11.19	11.73	9.90	8.38 x 6.50
	258mm	210mm	105mm	91mm	210mm	159mm	222mm	175mm		178mm	284mm	299mm	251mm	213mm x 165mm
AM1086HW	10.14	8.26	6.13	5.57	8.25	6.25	8.75	6.88	PL108 PLA108	7.01	11.19	11.73	9.85	8.38 x 6.50
	258mm	210mm	156mm	141mm	210mm	159mm	222mm	175mm		178mm	284mm	298mm	250mm	213mm x 165mm
AM1206HW	12.14	10.26	6.13	5.58	10.25	8.25	10.75	8.88	PL120 PLA120	9.01	13.19	13.73	11.85	10.38 x 8.50
	308mm	261mm	156mm	142mm	260mm	210mm	273mm	225mm		229mm	335mm	349mm	301mm	264mm x 216mm
AM1224HW	12.14	12.14	4.13	3.62	10.25	10.25	10.75	10.75	PL122 PLA122	11.01	13.32	13.72	13.72	10.38 x 10.38
	308mm	308mm	105mm	92mm	260mm	260mm	273mm	273mm		280mm	338mm	348mm	348mm	264mm x 264mm
AM1226HW	12.14	12.14	6.13	5.62	10.25	10.25	10.75	10.75	PL122 PLA122	11.01	13.32	13.72	13.72	10.38 x 10.38
	308mm	308mm	156mm	143mm	260mm	260mm	273mm	273mm		280mm	338mm	348mm	348mm	264mm x 264mm
AM1426HW	14.14	12.26	6.13	5.60	12.25	10.25	12.75	10.88	PL142 PLA142	11.03	15.19	15.73	13.85	12.38 x 10.50
	359mm	312mm	156mm	142mm	311mm	260mm	324mm	276mm		280mm	386mm	399mm	352mm	314mm x 267mm
AM1648HW	16.27	14.40	8.13	7.58	14.25	12.25	14.75	12.88	P164 PA164	13.01	17.19	17.87	15.99	13.00 x 11.00
	413mm	366mm	207mm	192mm	362mm	311mm	375mm	327mm		330mm	437mm	454mm	406mm	330mm x 279mm
AM1868HW	18.40	16.40	8.13	7.58	16.25	14.25	16.88	14.88	P186 PA186	14.97	19.28	20.00	18.00	14.00 x 12.00
	467mm	417mm	207mm	192mm	413mm	362mm	429mm	378mm		380mm	490mm	508mm	457mm	356mm x 305mm
AM2068HW	20.00	16.00	8.13	7.58	17.81	13.81	18.44	14.44	P206 PA206	14.54	20.84	21.59	17.59	15.00 x 11.00
	508mm	406mm	207mm	192mm	452mm	351mm	468mm	367mm		369mm	529mm	548mm	447mm	381mm x 279mm

All dimensions are in inches unless otherwise noted

Data subject to change without notice

Enclosure base part numbers come standard with 4 separately bagged feet (ex. AM664HW)

Additional back panels found on page 128



AM Series

JIC SIZE JUNCTION BOXES

Cover Type

Flat Solid/Opaque

Closure Type

Snap Latch Hinged Cover



Application

Designed to insulate and protect controls and components in both indoor and outdoor applications often found in oil refineries, waste water treatment equipment, chemical plants, and many other applications

- Especially well suited for high temperature or corrosive environments
- Protects from dirt, dust, oil and water
- For use with industrial control equipment

Standards

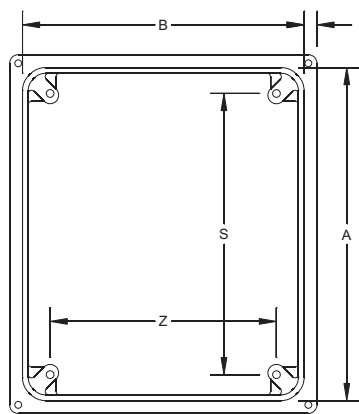
- UL 50 and UL 50E Types 1, 2, 3, 3R, 4, 4X, 12 and 13
- CSA C22.2 No. 94 Types 1, 2, 3, 3R, 4, 4X, 12 and 13
- Complies with:
 - NEMA Types 1, 2, 3, 3R, 4, 4X, 12 and 13
 - IEC 60529 Type IP66
 - RoHS directive

Construction

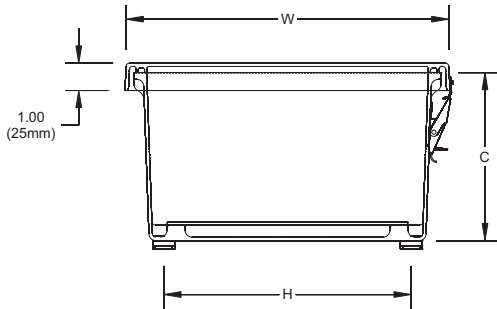
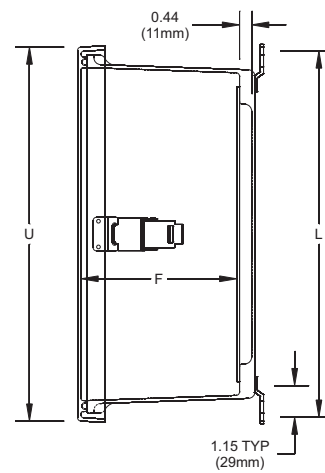
- Strong, molded ULTRAGUARD® fiberglass reinforced polyester material construction with matching flat cover
- 316 stainless steel snap latches feature padlock hasp (.375" dia.)
- Continuous 316 stainless steel hinge
- Formed-In-Place (FIP) polyurethane gasket system encased in continuous channel
- 316 stainless steel wall mounting feet with 10-32 stainless steel screws included
- #10-32 threaded brass inserts for optional back panel installation
- JIC sizes
- ULTRAGUARD® fiberglass material is easily punched, drilled, or sawed
- UV stabilized for outdoor use

Accessories & Modifications

- Optional back panels
- Custom holes and cutouts
- Custom size polycarbonate viewing windows
- Hinge installed on short side
- Molded-in color matching
- EMI/RFI shielding
- Factory-supplied silk screening



Note: Cover removed for clarity



Nominal 1/8" (3mm) wall thickness

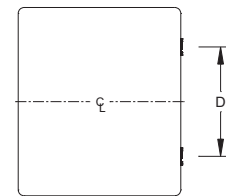
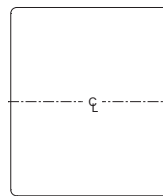
LATCH LOCATIONS

FOR USE ON:

- 6x6x4
- 8x6x4
- 10x8x4,6

FOR USE ON:

- 12x10x6 D=8.00 (203 mm)
- 12x12x4,6 D=8.00 (203 mm)
- 14x12x6 D=8.54 (217 mm)
- 16x14x8 D=8.54 (217 mm)
- 18x16x8 D=6.50 (165 mm)
- 20x16x8 D=10.52 (267 mm)



Part No.	Box Size			Usable Depth F	Panel Boss Centers		Panel Sizes			Foot Mount Centers		Cover Size	
	A	B	C		S	Z	Ht.	Wid.	P/N	H	L	U	W
AM664L	6.10	6.10	4.18	3.76	4.25	4.25	4.81	4.81	PL66 PLA66	5.01	7.32	7.69	7.69
	155mm	155mm	106mm	95mm	108mm	108mm	122mm	122mm		127mm	186mm	195mm	195mm
AM864L	8.00	6.13	4.14	3.71	6.25	4.25	6.75	4.88	PL86 PLA86	5.02	9.20	9.59	7.71
	203mm	156mm	105mm	94mm	159mm	108mm	171mm	124mm		127mm	234mm	244mm	196mm
AM1084L	10.14	8.26	4.13	3.68	8.25	6.25	8.75	6.88	PL108 PLA108	7.01	11.19	11.73	9.90
	258mm	210mm	105mm	93mm	210mm	159mm	222mm	175mm		178mm	284mm	299mm	251mm
AM1086L	10.14	8.26	6.13	5.68	8.25	6.25	8.75	6.88	PL108 PLA108	7.01	11.19	11.73	9.85
	258mm	210mm	156mm	144mm	210mm	159mm	222mm	175mm		178mm	284mm	298mm	250mm
AM1206L	12.14	10.26	6.13	5.68	10.25	8.25	10.75	8.88	PL120 PLA120	9.01	13.19	13.73	11.85
	308mm	261mm	156mm	144mm	260mm	210mm	273mm	225mm		229mm	335mm	349mm	301mm
AM1224L	12.14	12.14	4.13	3.73	10.25	10.25	10.75	10.75	PL122 PLA122	11.01	13.32	13.72	13.72
	308mm	308mm	105mm	95mm	260mm	260mm	273mm	273mm		280mm	338mm	348mm	348mm
AM1226L	12.14	12.14	6.13	5.73	10.25	10.25	10.75	10.75	PL122 PLA122	11.01	13.32	13.72	13.72
	308mm	308mm	156mm	145mm	260mm	260mm	273mm	273mm		280mm	338mm	348mm	348mm
AM1426L	14.14	12.26	6.13	5.71	12.25	10.25	12.75	10.88	PL142 PLA142	11.03	15.19	15.73	13.85
	359mm	312mm	156mm	145mm	311mm	260mm	324mm	276mm		280mm	386mm	399mm	352mm
AM1648L	16.27	14.40	8.13	7.68	14.25	12.25	14.75	12.88	P164 PA164	13.01	17.19	17.87	15.99
	413mm	366mm	207mm	195mm	362mm	311mm	375mm	327mm		330mm	437mm	454mm	406mm
AM1868L	18.40	16.40	8.13	7.69	16.25	14.25	16.88	14.88	P186 PA186	14.97	19.28	20.00	18.00
	467mm	417mm	207mm	195mm	413mm	362mm	429mm	378mm		380mm	490mm	508mm	457mm
AM2068L	20.00	16.00	8.13	7.68	17.81	13.81	18.44	14.44	P206 PA206	14.54	20.84	21.59	17.59
	508mm	406mm	207mm	195mm	452mm	351mm	468mm	367mm		369mm	529mm	548mm	447mm

All dimensions are in inches unless otherwise noted

Enclosure base part numbers come standard with 4 separately bagged feet (ex. AM664L)

Additional back panels found on page 128

Data subject to change without notice



AM Series

JIC SIZE JUNCTION BOXES

Cover Type

Flat Viewing Window

Closure Type

Snap Latch Hinged Cover



Application

Designed to insulate and protect controls and components in both indoor and outdoor applications often found in oil refineries, waste water treatment equipment, chemical plants, and many other applications

- Especially well suited for high temperature or corrosive environments
- Protects from dirt, dust, oil and water
- For use with industrial control equipment
- Window unit provides viewing area for instrumentation or equipment

Standards

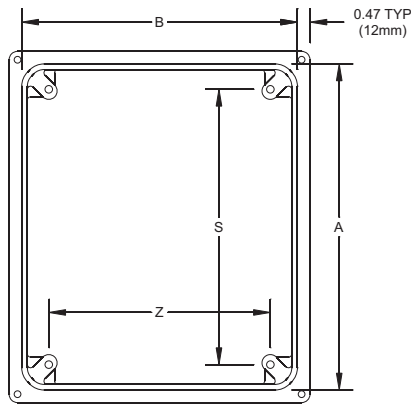
- UL 50 and UL 50E Types 1, 2, 3, 3R, 4, 4X, 12 and 13
- CSA C22.2 No. 94 Types 1, 2, 3, 3R, 4, 4X, 12 and 13
- Complies with:
 - NEMA Types 1, 2, 3, 3R, 4, 4X, 12 and 13
 - IEC 60529 Type IP66
 - RoHS directive

Construction

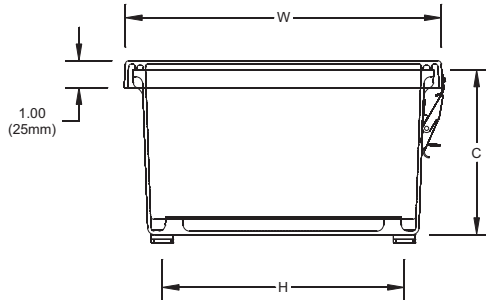
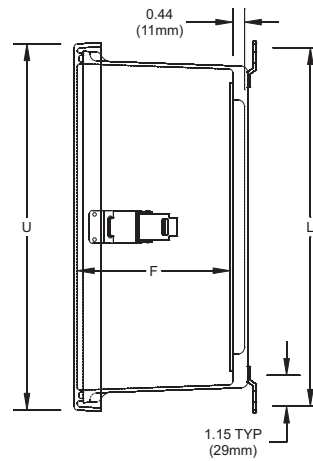
- Strong, molded ULTRAGUARD® fiberglass reinforced polyester material construction with matching flat cover
- UV resistant polycarbonate viewing window
- 316 stainless steel snap latches feature padlock hasp (.375" dia.)
- Continuous 316 stainless steel hinge
- Formed-In-Place (FIP) polyurethane gasket system encased in continuous channel
- 316 stainless steel wall mounting feet with 10-32 stainless steel screws included
- #10-32 threaded brass inserts for optional back panel installation
- JIC sizes
- ULTRAGUARD® fiberglass material is easily punched, drilled, or sawed
- UV stabilized for outdoor use

Accessories & Modifications

- Optional back panels
- Custom holes and cutouts
- Hinge installed on short side
- Molded-in color matching
- EMI/RFI shielding
- Factory-supplied silk screening



Note: Cover removed for clarity



Nominal 1/8" (3mm) wall thickness

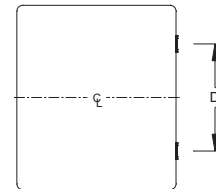
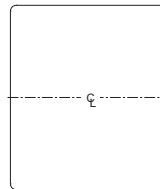
LATCH LOCATIONS

FOR USE ON:

- 6x6x4
- 8x6x4
- 10x8x4,6

FOR USE ON:

- 12x10x6 D=8.00 (203 mm)
- 12x12x4,6 D=8.00 (203 mm)
- 14x12x6 D=8.54 (217 mm)
- 16x14x8 D=8.54 (217 mm)
- 18x16x8 D=6.50 (165 mm)
- 20x16x8 D=10.52 (267 mm)



Part No.	Box Size			Usable Depth	Panel Boss Centers		Panel Sizes			Foot Mount Centers		Cover Size		Window Dimension (Height x Width)
	A	B	C		F	S	Z	Ht.	Wid.	P/N	H	L	U	
AM664LW	6.10	6.10	4.18	3.65	4.25	4.25	4.81	4.81	PL66 PLA66	5.01	7.32	7.69	7.69	4.25 x 4.25
	155mm	155mm	106mm	93mm	108mm	108mm	122mm	122mm		127mm	186mm	195mm	195mm	108mm x 108mm
AM864LW	8.00	6.13	4.14	3.60	6.25	4.25	6.75	4.88	PL86 PLA86	5.02	9.20	9.59	7.71	6.25 x 4.25
	203mm	156mm	105mm	91mm	159mm	108mm	171mm	124mm		127mm	234mm	244mm	196mm	159mm x 108mm
AM1084LW	10.14	8.26	4.13	3.57	8.25	6.25	8.75	6.88	PL108 PLA108	7.01	11.19	11.73	9.90	8.38 x 6.50
	258mm	210mm	105mm	91mm	210mm	159mm	222mm	175mm		178mm	284mm	299mm	251mm	213mm x 165mm
AM1086LW	10.14	8.26	6.13	5.57	8.25	6.25	8.75	6.88	PL108 PLA108	7.01	11.19	11.73	9.85	8.38 x 6.50
	258mm	210mm	156mm	141mm	210mm	159mm	222mm	175mm		178mm	284mm	298mm	250mm	213mm x 165mm
AM1206LW	12.14	10.26	6.13	5.58	10.25	8.25	10.75	8.88	PL120 PLA120	9.01	13.19	13.73	11.85	10.38 x 8.50
	308mm	261mm	156mm	142mm	260mm	210mm	273mm	225mm		229mm	335mm	349mm	301mm	264mm x 216mm
AM1224LW	12.14	12.14	4.13	3.62	10.25	10.25	10.75	10.75	PL122 PLA122	11.01	13.32	13.72	13.72	10.38 x 10.38
	308mm	308mm	105mm	92mm	260mm	260mm	273mm	273mm		280mm	338mm	348mm	348mm	264mm x 264mm
AM1226LW	12.14	12.14	6.13	5.62	10.25	10.25	10.75	10.75	PL122 PLA122	11.01	13.32	13.72	13.72	10.38 x 10.38
	308mm	308mm	156mm	143mm	260mm	260mm	273mm	273mm		280mm	338mm	348mm	348mm	264mm x 264mm
AM1426LW	14.14	12.26	6.13	5.60	12.25	10.25	12.75	10.88	PL142 PLA142	11.03	15.19	15.73	13.85	12.38 x 10.50
	359mm	312mm	156mm	142mm	311mm	260mm	324mm	276mm		280mm	386mm	399mm	352mm	314mm x 267mm
AM1648LW	16.27	14.40	8.13	7.58	14.25	12.25	14.75	12.88	P164 PA164	13.01	17.19	17.87	15.99	13.00 x 11.00
	413mm	366mm	207mm	192mm	362mm	311mm	375mm	327mm		330mm	437mm	454mm	406mm	330mm x 279mm
AM1868LW	18.40	16.40	8.13	7.58	16.25	14.25	16.88	14.88	P186 PA186	14.97	19.28	20.00	18.00	14.00 x 12.00
	467mm	417mm	207mm	192mm	413mm	362mm	429mm	378mm		380mm	490mm	508mm	457mm	356mm x 305mm
AM2068LW	20.00	16.00	8.13	7.58	17.81	13.81	18.44	14.44	P206 PA206	14.54	20.84	21.59	17.59	15.00 x 11.00
	508mm	406mm	207mm	192mm	452mm	351mm	468mm	367mm		369mm	529mm	548mm	447mm	381mm x 279mm

All dimensions are in inches unless otherwise noted

Data subject to change without notice

Enclosure base part numbers come standard with 4 separately bagged feet (ex. AM664LW)

Additional back panels found on page 128



AM Series

JIC SIZE JUNCTION BOXES

Cover Type

Flat Solid/Opaque

Closure Type

Twist Latch Hinged Cover



Application

Designed to insulate and protect controls and components in both indoor and outdoor applications often found in oil refineries, waste water treatment equipment, chemical plants, and many other applications

- Especially well suited for high temperature or corrosive environments
- Protects from dirt, dust, oil and water
- For use with industrial control equipment

Standards

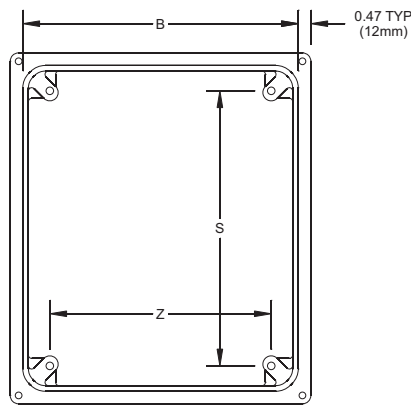
- UL 50 and UL 50E Types 1, 2, 3, 3R, 4, 4X, 12 and 13
- CSA C22.2 No. 94 Types 1, 2, 3, 3R, 4, 4X, 12 and 13
- Complies with:
 - NEMA Types 1, 2, 3, 3R, 4, 4X, 12 and 13
 - IEC 60529 Type IP66
 - RoHS directive

Construction

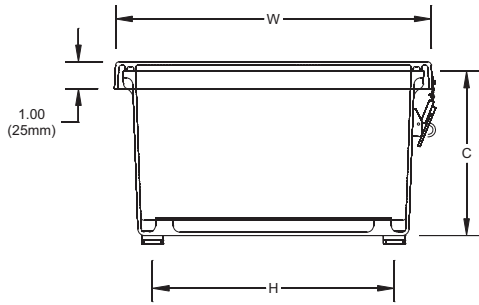
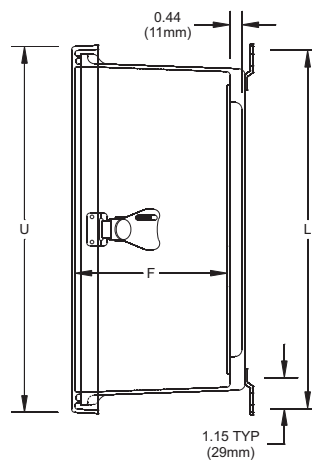
- Strong, molded ULTRAGUARD® fiberglass reinforced polyester material construction with matching flat cover
- 316 stainless steel twist latches feature padlock hasp (.375" dia.)
- Continuous 316 stainless steel hinge
- Formed-In-Place (FIP) polyurethane gasket system encased in continuous channel
- 316 stainless steel wall mounting feet with 10-32 stainless steel screws included
- #10-32 threaded brass inserts for optional back panel installation
- JIC sizes
- ULTRAGUARD® fiberglass material is easily punched, drilled, or sawed
- UV stabilized for outdoor use

Accessories & Modifications

- Optional back panels
- Custom holes and cutouts
- Custom size polycarbonate viewing windows
- Hinge installed on short side
- Molded-in color matching
- EMI/RFI shielding
- Factory-supplied silk screening



Note: Cover removed for clarity



Nominal 1/8" (3mm) wall thickness

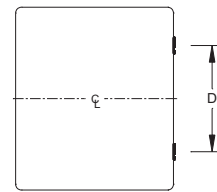
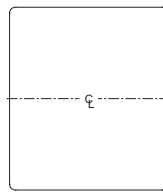
LATCH LOCATIONS

FOR USE ON:

- 6x6x4
- 8x6x4
- 10x8x4,6

FOR USE ON:

- 12x10x6 D=8.00 (203 mm)
- 12x12x4,6 D=8.00 (203 mm)
- 14x12x6 D=8.54 (217 mm)
- 16x14x8 D=8.54 (217 mm)
- 18x16x8 D=6.50 (165 mm)
- 20x16x8 D=10.52 (267 mm)



Part No.	Box Size			Usable Depth	Panel Boss Centers		Panel Sizes			Foot Mount Centers		Cover Size	
	A	B	C		F	S	Z	Ht.	Wid.	P/N	H	L	U
AM664T	6.10	6.10	4.18	3.76	4.25	4.25	4.81	4.81	PL66 PLA66	5.01	7.32	7.69	7.69
	155mm	155mm	106mm	95mm	108mm	108mm	122mm	122mm		127mm	186mm	195mm	195mm
AM864T	8.00	6.13	4.14	3.71	6.25	4.25	6.75	4.88	PL86 PLA86	5.02	9.20	9.59	7.71
	203mm	156mm	105mm	94mm	159mm	108mm	171mm	124mm		127mm	234mm	244mm	196mm
AM1084T	10.14	8.26	4.13	3.68	8.25	6.25	8.75	6.88	PL108 PLA108	7.01	11.19	11.73	9.90
	258mm	210mm	105mm	93mm	210mm	159mm	222mm	175mm		178mm	284mm	299mm	251mm
AM1086T	10.14	8.26	6.13	5.68	8.25	6.25	8.75	6.88	PL108 PLA108	7.01	11.19	11.73	9.85
	258mm	210mm	156mm	144mm	210mm	159mm	222mm	175mm		178mm	284mm	298mm	250mm
AM1206T	12.14	10.26	6.13	5.68	10.25	8.25	10.75	8.88	PL120 PLA120	9.01	13.19	13.73	11.85
	308mm	261mm	156mm	144mm	260mm	210mm	273mm	225mm		229mm	335mm	349mm	301mm
AM1224T	12.14	12.14	4.13	3.73	10.25	10.25	10.75	10.75	PL122 PLA122	11.01	13.32	13.72	13.72
	308mm	308mm	105mm	95mm	260mm	260mm	273mm	273mm		280mm	338mm	348mm	348mm
AM1226T	12.14	12.14	6.13	5.73	10.25	10.25	10.75	10.75	PL122 PLA122	11.01	13.32	13.72	13.72
	308mm	308mm	156mm	145mm	260mm	260mm	273mm	273mm		280mm	338mm	348mm	348mm
AM1426T	14.14	12.26	6.13	5.71	12.25	10.25	12.75	10.88	PL142 PLA142	11.03	15.19	15.73	13.85
	359mm	312mm	156mm	145mm	311mm	260mm	324mm	276mm		280mm	386mm	399mm	352mm
AM1648T	16.27	14.40	8.13	7.68	14.25	12.25	14.75	12.88	P164 PA164	13.01	17.19	17.87	15.99
	413mm	366mm	207mm	195mm	362mm	311mm	375mm	327mm		330mm	437mm	454mm	406mm
AM1868T	18.40	16.40	8.13	7.69	16.25	14.25	16.88	14.88	P186 PA186	14.97	19.28	20.00	18.00
	467mm	417mm	207mm	195mm	413mm	362mm	429mm	378mm		380mm	490mm	508mm	457mm
AM2068T	20.00	16.00	8.13	7.68	17.81	13.81	18.44	14.44	P206 PA206	14.54	20.84	21.59	17.59
	508mm	406mm	207mm	195mm	452mm	351mm	468mm	367mm		369mm	529mm	548mm	447mm

All dimensions are in inches unless otherwise noted

Data subject to change without notice

Enclosure base part numbers come standard with 4 separately bagged feet (ex. AM664T)

Additional back panels found on page 128



AM Series

JIC SIZE JUNCTION BOXES

Cover Type

Flat Viewing Window

Closure Type

Twist Latch Hinged Cover



Application

Designed to insulate and protect controls and components in both indoor and outdoor applications often found in oil refineries, waste water treatment equipment, chemical plants, and many other applications

- Especially well suited for high temperature or corrosive environments
- Protects from dirt, dust, oil and water
- For use with industrial control equipment
- Window unit provides viewing area for instrumentation or equipment

Standards

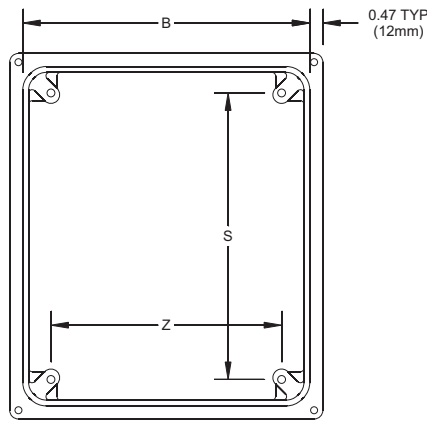
- UL 50 and UL 50E Types 1, 2, 3, 3R, 4, 4X, 12 and 13
- CSA C22.2 No. 94 Types 1, 2, 3, 3R, 4, 4X, 12 and 13
- Complies with:
 - NEMA Types 1, 2, 3, 3R, 4, 4X, 12 and 13
 - IEC 60529 Type IP66
 - RoHS directive

Construction

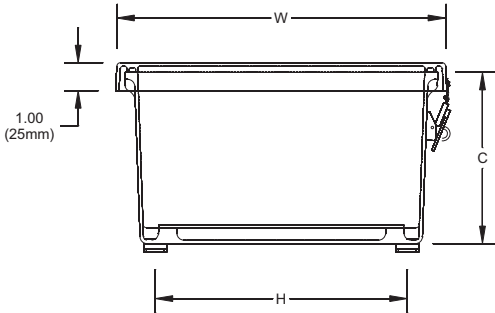
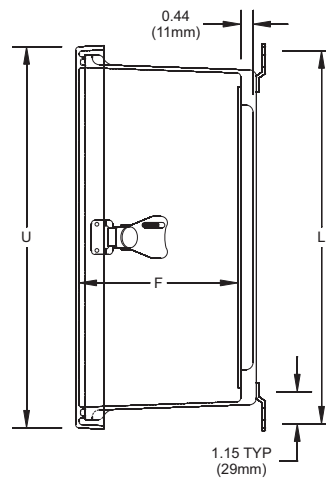
- Strong, molded ULTRAGUARD® fiberglass reinforced polyester material construction with matching flat cover
- UV resistant polycarbonate viewing window
- 316 stainless steel twist latches feature padlock hasp (.375" dia.)
- Continuous 316 stainless steel hinge
- Formed-In-Place (FIP) polyurethane gasket system encased in continuous channel
- 316 stainless steel wall mounting feet with 10-32 stainless steel screws included
- #10-32 threaded brass inserts for optional back panel installation
- JIC sizes
- ULTRAGUARD® fiberglass material is easily punched, drilled, or sawed
- UV stabilized for outdoor use

Accessories & Modifications

- Optional back panels
- Custom holes and cutouts
- Hinge installed on short side
- Molded-in color matching
- EMI/RFI shielding
- Factory-supplied silk screening



Note: Cover removed for clarity



Nominal 1/8" (3mm) wall thickness

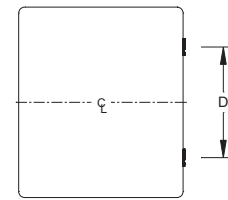
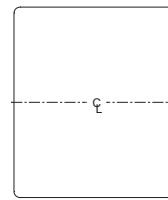
LATCH LOCATIONS

FOR USE ON:

- 6x6x4
- 8x6x4
- 10x8x4,6

FOR USE ON:

- 12x10x6 D=8.00 (203 mm)
- 12x12x4,6 D=8.00 (203 mm)
- 14x12x6 D=8.54 (217 mm)
- 16x14x8 D=8.54 (217 mm)
- 18x16x8 D=6.50 (165 mm)
- 20x16x8 D=10.52 (267 mm)



Part No.	Box Size			Usable Depth	Panel Boss Centers		Panel Sizes			Foot Mount Centers		Cover Size		Window Dimension (Height x Width)
	A	B	C		F	S	Z	Ht.	Wid.	P/N	H	L	U	
AM664TW	6.10	6.10	4.18	3.65	4.25	4.25	4.81	4.81	PL66 PLA66	5.01	7.32	7.69	7.69	4.25 x 4.25
	155mm	155mm	106mm	93mm	108mm	108mm	122mm	122mm		127mm	186mm	195mm	195mm	108mm x 108mm
AM864TW	8.00	6.13	4.14	3.60	6.25	4.25	6.75	4.88	PL86 PLA86	5.02	9.20	9.59	7.71	6.25 x 4.25
	203mm	156mm	105mm	91mm	159mm	108mm	171mm	124mm		127mm	234mm	244mm	196mm	159mm x 108mm
AM1084TW	10.14	8.26	4.13	3.57	8.25	6.25	8.75	6.88	PL108 PLA108	7.01	11.19	11.73	9.90	8.38 x 6.50
	258mm	210mm	105mm	91mm	210mm	159mm	222mm	175mm		178mm	284mm	299mm	251mm	213mm x 165mm
AM1086TW	10.14	8.26	6.13	5.57	8.25	6.25	8.75	6.88	PL108 PLA108	7.01	11.19	11.73	9.85	8.38 x 6.50
	258mm	210mm	156mm	141mm	210mm	159mm	222mm	175mm		178mm	284mm	298mm	250mm	213mm x 165mm
AM1206TW	12.14	10.26	6.13	5.58	10.25	8.25	10.75	8.88	PL120 PLA120	9.01	13.19	13.73	11.85	10.38 x 8.50
	308mm	261mm	156mm	142mm	260mm	210mm	273mm	225mm		229mm	335mm	349mm	301mm	264mm x 216mm
AM1224TW	12.14	12.14	4.13	3.62	10.25	10.25	10.75	10.75	PL122 PLA122	11.01	13.32	13.72	13.72	10.38 x 10.38
	308mm	308mm	105mm	92mm	260mm	260mm	273mm	273mm		280mm	338mm	348mm	348mm	264mm x 264mm
AM1226TW	12.14	12.14	6.13	5.62	10.25	10.25	10.75	10.75	PL122 PLA122	11.01	13.32	13.72	13.72	10.38 x 10.38
	308mm	308mm	156mm	143mm	260mm	260mm	273mm	273mm		280mm	338mm	348mm	348mm	264mm x 264mm
AM1426TW	14.14	12.26	6.13	5.60	12.25	10.25	12.75	10.88	PL142 PLA142	11.03	15.19	15.73	13.85	12.38 x 10.50
	359mm	312mm	156mm	142mm	311mm	260mm	324mm	276mm		280mm	386mm	399mm	352mm	314mm x 267mm
AM1648TW	16.27	14.40	8.13	7.58	14.25	12.25	14.75	12.88	P164 PA164	13.01	17.19	17.87	15.99	13.00 x 11.00
	413mm	366mm	207mm	192mm	362mm	311mm	375mm	327mm		330mm	437mm	454mm	406mm	330mm x 279mm
AM1868TW	18.40	16.40	8.13	7.58	16.25	14.25	16.88	14.88	P186 PA186	14.97	19.28	20.00	18.00	14.00 x 12.00
	467mm	417mm	207mm	192mm	413mm	362mm	429mm	378mm		380mm	490mm	508mm	457mm	356mm x 305mm
AM2068TW	20.00	16.00	8.13	7.58	17.81	13.81	18.44	14.44	P206 PA206	14.54	20.84	21.59	17.59	15.00 x 11.00
	508mm	406mm	207mm	192mm	452mm	351mm	468mm	367mm		369mm	529mm	548mm	447mm	381mm x 279mm

All dimensions are in inches unless otherwise noted
 Enclosure base part numbers come standard with 4 separately bagged feet (ex. AM664TW)
 Additional back panels found on page 128

Data subject to change without notice

