

Vent Kits

AMVENTSM

1. Drill a $\text{\O} 3/4"$ hole in the desired position.
2. Install the vent and o-ring as shown in Figure 1.
3. Tighten the plastic nut using a $15/16"$ Wrench. Do not overtighten!

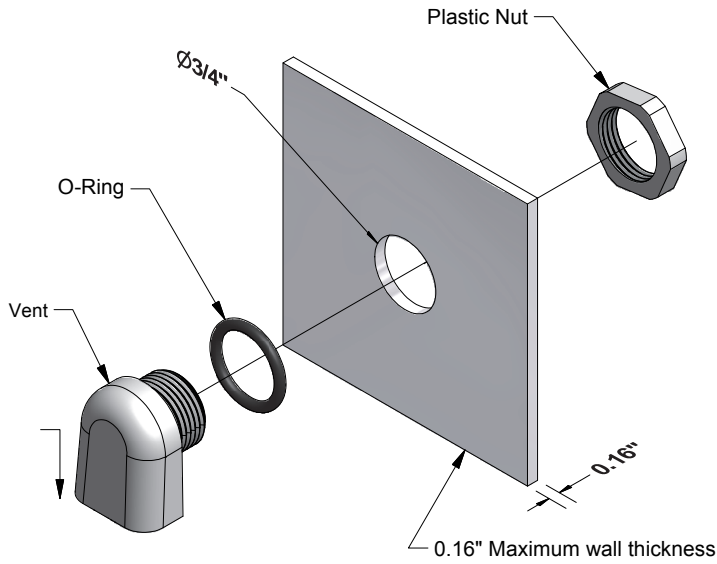


Figure 1

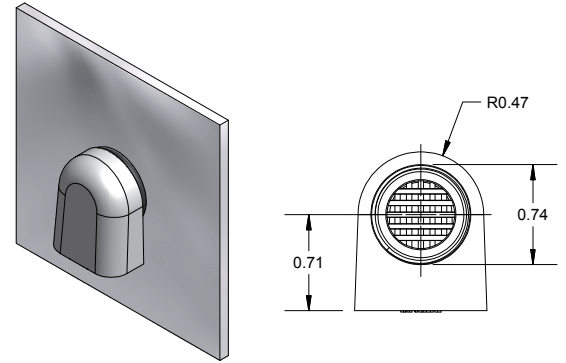


Figure 2



ALLIED
MOULDED
PRODUCTS, Inc.

AMVENTLG

1. Drill a $\text{\O} 1-1/8"$ hole in the desired position.
2. Install the back plate in the hole. Use the 3 small holes to mark the screw centers.
3. Remove the back plate and drill the three holes using a $\text{\O} 5/32"$ drill bit.
4. Assemble the vent cover, back plate and large o-ring in the hole pattern. Install the screws and small o-rings as shown in Figure 1. Do not over tighten!

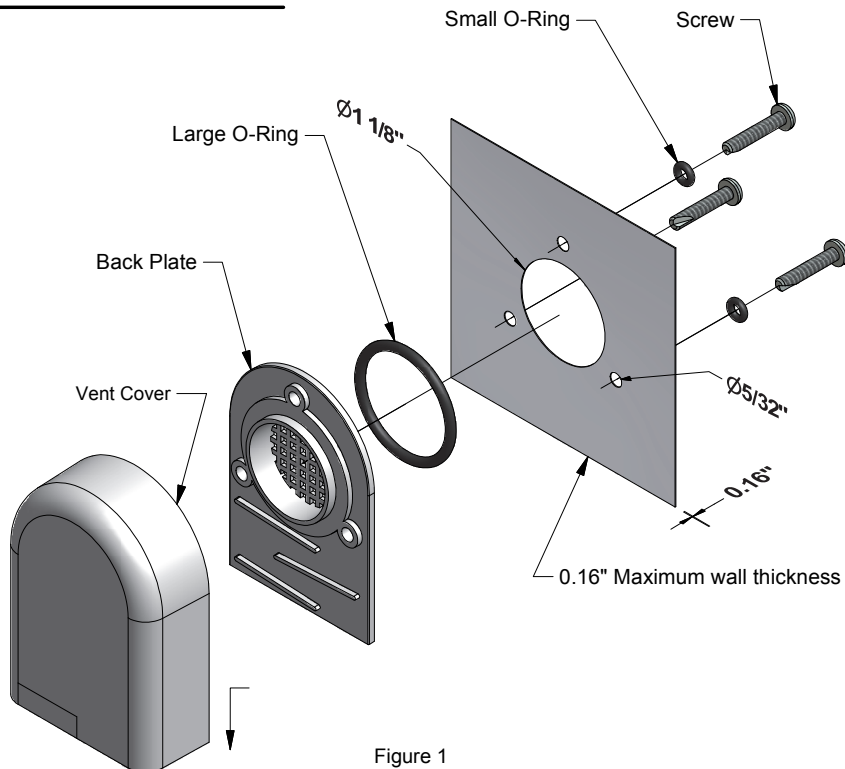


Figure 1

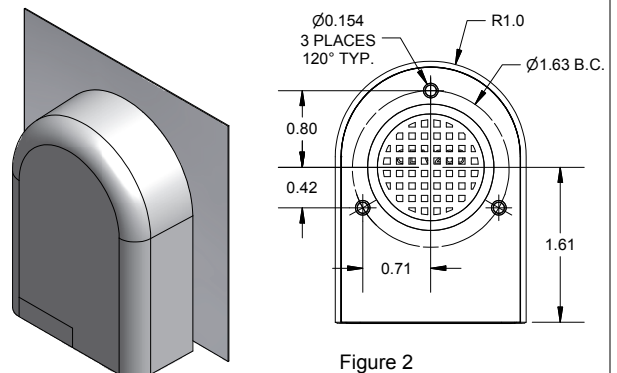


Figure 2



ALLIED
MOULDED
PRODUCTS, Inc.