



# CONTROL SERIES FIBERGLASS

The larger Control Series offers standard features as well as full-panel access and all usable panel space. In addition, the standard gray cover is available with or without a polycarbonate viewing window. Other options include removable aluminum hinged front panel and back panels.

Control Series enclosures insulate and protect controls and components against the toughest elements in the harshest environments. They are available in popular larger sizes and depths, along with standard stainless steel hinges and latches.



Scan to learn more



## Control Series Features & Benefits

- Molded ULTRAGUARD® fiberglass reinforced polyester material construction for durability
- One-piece body construction provides added dimensional stability
- (2) 316 stainless steel hinges
- Formed-In-Place (FIP) polyurethane gasket system
- Matching raised cover
- 316 stainless steel hardware and mounting feet
- Mounting panel inserts for optional back panel
- UV stabilized for outdoor use

## Control Series Specifications

- Non-corrosive
- Non-conductive
- Standard RAL 7035 light gray color
- Temperature-resistant
- Fire-resistant
- Rated NEMA 1, 2, 3, 3R, 4, 4X, 12, 13
- UL® listed
- CSA certified
- Compliant with RoHS directive

## Accessories

- Back panels available in painted carbon steel, aluminum, fiberglass, or galvanized steel
- Aluminum hinged front panel for configuration flexibility
- ULTRAPLUG® hole plugs
- Pole mount kits
- HMI cover kits
- Inspection windows
- UV resistant polycarbonate viewing windows

## Modifications

We are pleased to modify any of our standard products to fit your needs with:

- Custom holes and cutouts
- Custom size polycarbonate viewing windows
- Molded-in color matching
- EMI/RFI shielding
- Factory-supplied silk screening

*For complete details on factory modifications including a modification request form, see pages 142-144.*

[www.alliedmoulded.com](http://www.alliedmoulded.com)

STANDARDS  
ULTRAGUARD®  
FIBERGLASS  
AM SERIES  
AM-R  
AMHD-R  
CONTROL  
EMPIRE  
ULTALINE®  
POLYLINE®  
ACCESSORIES  
MODS  
TECHNICAL  
INDEX

## Control Series FIBERGLASS ENCLOSURES

### Cover Type

Raised Solid/Opaque

### Closure Type

Snap Latch Hinged Cover



### Application

Designed to insulate and house electrical and electronic controls, instruments or components for indoor and outdoor applications

- Especially well suited for high temperature or corrosive environments
- Protects from dirt, dust, oil, and water

### Standards

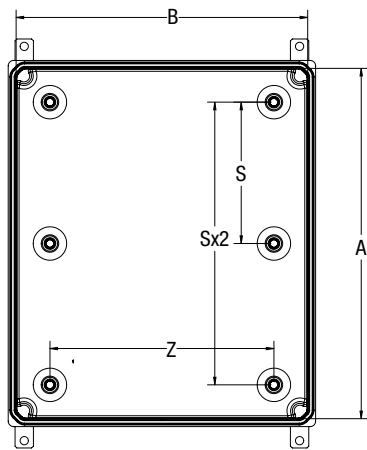
- UL 50 and UL 50E Types 1, 2, 3, 3R, 4, 4X, 12 and 13
- CSA C22.2 No. 94 Types 1, 2, 3, 3R, 4, 4X, 12 and 13
- Complies with:
  - NEMA Types 1, 2, 3, 3R, 4, 4X, 12 and 13
  - IEC 60529 Type IP66
  - RoHS directive

### Construction

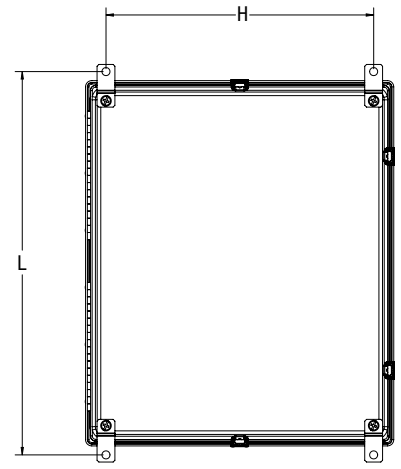
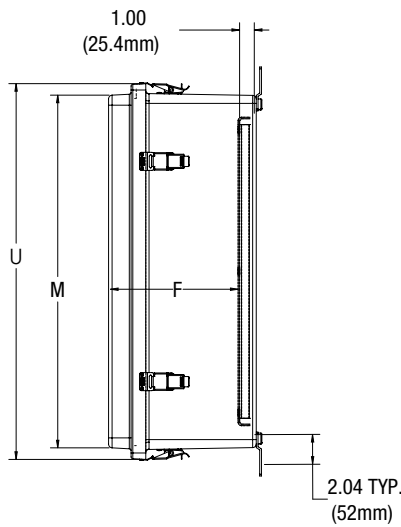
- Strong, molded ULTRAGUARD® fiberglass reinforced polyester material construction with matching raised cover
- Light gray color (RAL 7035)
- 316 stainless steel snap latches feature padlock hasp (.375" dia.)
- (2) 316 stainless steel hinges
- Formed-In-Place (FIP) polyurethane gasket system encased in continuous channel
- 316 stainless steel wall mounting feet with 3/8-16 stainless steel screws included
- 3/8-16 threaded brass inserts are installed for back panel mounting
- UV stabilized for outdoor use

### Accessories & Modifications

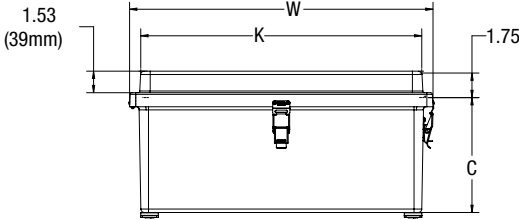
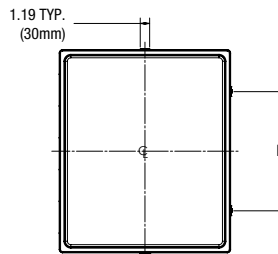
- Optional back panels and hinged front panels
- Custom holes and cutouts
- Custom size polycarbonate viewing windows
- Molded-in color matching
- EMI/RFI Shielding
- Factory-supplied silk screening



NOTE: COVER REMOVED FOR CLARITY



LATCH LOCATIONS



NOMINAL 1/8" (3mm) WALL THICKNESS

FOR USE ON:  
 24x20x8 D=15.00 (406 mm) 24x20x10 D=15.00 (406 mm)  
 24x24x8 D=15.00 (406 mm) 24x24x10 D=15.00 (406 mm)  
 30x24x8 D=19.98 (507 mm) 30x24x10 D=19.98 (507 mm)

Control Series Latching Options

Base Part #	Part No. Suffix	Description
See Chart Below	L	316 Stainless Steel Snap Latch
	3PT	316 Stainless Steel 3-Point Handle
	QT	Basic Slotted 1/4 Turn 316 Stainless Steel
	*Special Order	Basic Slotted 1/4 Turn (Keylock) 316 Stainless Steel

Add the "Part No. Suffix" to the base part number to create a complete enclosure option. (ex AM24208RQT is a 24"x20"x8" enclosure with a basic slotted 1/4 turn latch)

\*Available for special order only. | Visit our website to view and download all closure option drawings.

Part No.	Box Size			Usable Depth	Panel Boss Centers		Panel Sizes			Foot Mount Centers		Cover Size			
	A	B	C		F	S	Z	Ht.	Wid.	P/N	H	L	K	M	U
AM24208R	24.00	20.00	8.13	8.67	9.63	15.25	21.00	17.00	P2420 PA2420	18.75	26.85	20.16	24.16	25.59	21.59
	610mm	508mm	207mm	220mm	244mm	387mm	533mm	432mm		476mm	682mm	512mm	614mm	650mm	548mm
AM24248R	24.00	24.00	8.13	8.65	9.63	19.25	21.00	21.00	P2424 PA2424	22.75	26.85	24.16	24.16	25.59	25.59
	610mm	610mm	207mm	220mm	244mm	489mm	533mm	533mm		578mm	682mm	614mm	614mm	650mm	650mm
AM30248R	30.00	24.00	8.13	8.65	12.63	19.25	27.00	21.00	P3024 PA3024	22.75	32.85	24.16	30.16	31.59	25.59
	762mm	610mm	207mm	220mm	321mm	489mm	686mm	533mm		578mm	834mm	614mm	766mm	802mm	650mm
AM24200R	24.00	20.00	10.13	10.65	9.63	15.25	21.00	17.00	P2420 PA2420	18.75	26.85	20.16	24.16	25.59	21.59
	610mm	508mm	257mm	271mm	244mm	387mm	533mm	432mm		476mm	682mm	512mm	614mm	650mm	548mm
AM24240R	24.00	24.00	10.13	10.65	9.63	19.25	21.00	21.00	P2424 PA2424	22.75	26.85	24.16	24.16	25.59	25.59
	610mm	610mm	257mm	271mm	244mm	489mm	533mm	533mm		578mm	682mm	614mm	614mm	650mm	650mm
AM30240R	30.00	24.00	10.13	10.65	12.63	19.25	27.00	21.00	P3024 PA3024	22.75	32.85	24.16	30.16	31.59	25.59
	762mm	610mm	257mm	271mm	321mm	489mm	686mm	533mm		578mm	834mm	614mm	766mm	802mm	650mm

All dimensions are in inches unless otherwise noted

Data subject to change without notice

Enclosure base part numbers come standard with 4 separately bagged feet (ex. AM24208RL)

Additional back panels found on page 128



# Control Series

## FIBERGLASS ENCLOSURES

### Cover Type

Raised Viewing Window

### Closure Type

Snap Latch Hinged Cover



### Application

Designed to insulate and house electrical and electronic controls, instruments or components for indoor and outdoor applications

- Especially well suited for high temperature or corrosive environments
- Protects from dirt, dust, oil, and water
- Window unit provides viewing area for instrumentation or equipment

### Standards

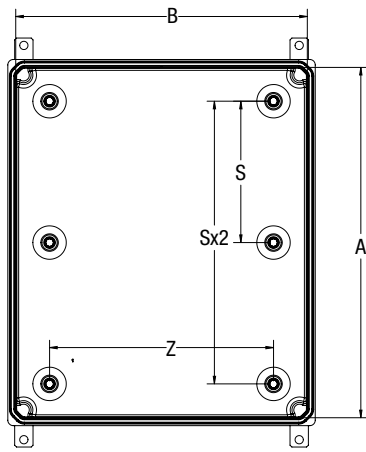
- UL 50 and UL 50E Types 1, 2, 3, 3R, 4, 4X, 12 and 13
- CSA C22.2 No. 94 Types 1, 2, 3, 3R, 4, 4X, 12 and 13
- Complies with:
  - NEMA Types 1, 2, 3, 3R, 4, 4X, 12 and 13
  - IEC 60529 Type IP66
  - RoHS directive

### Construction

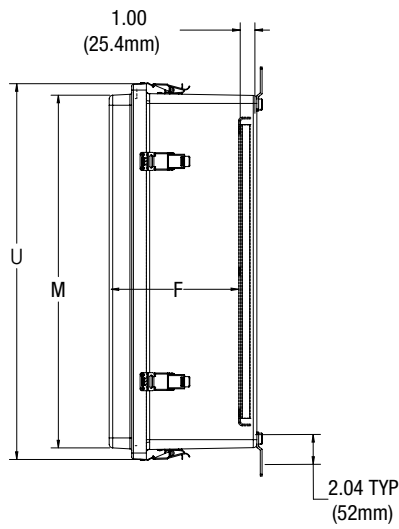
- Strong, molded ULTRAGUARD® fiberglass reinforced polyester material construction with matching raised cover
- UV resistant polycarbonate viewing window
- Light gray color (RAL 7035)
- 316 stainless steel snap latches feature padlock hasp (.375" dia.)
- (2) 316 stainless steel hinges
- Formed-In-Place (FIP) polyurethane gasket system encased in continuous channel
- 316 stainless steel wall mounting feet with 3/8-16 stainless steel screws included
- 3/8-16 threaded brass inserts are installed for back panel mounting
- UV stabilized for outdoor use

### Accessories & Modifications

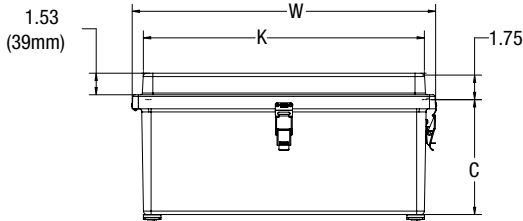
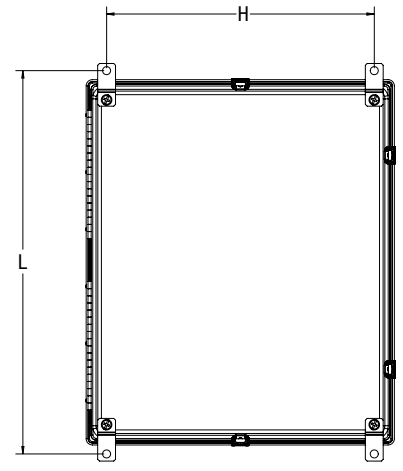
- Optional back panels and hinged front panels
- Custom holes and cutouts
- Molded-in color matching
- EMI/RFI Shielding
- Factory-supplied silk screening



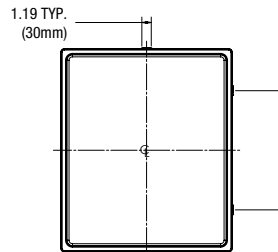
NOTE: COVER REMOVED FOR CLARITY



LATCH LOCATIONS



NOMINAL 1/8" (3mm) WALL THICKNESS



FOR USE ON:  
 24x20x8 D=15.00 (406 mm) 24x20x10 D=15.00 (406 mm)  
 24x24x8 D=15.00 (406 mm) 24x24x10 D=15.00 (406 mm)  
 30x24x8 D=19.98 (507 mm) 30x24x10 D=19.98 (507 mm)

### Control Series Latching Options

Notes	Latching Option Description
<b>Available for special order only.</b> Contact the manufacturer for additional details. Visit our website to view and download all closure option drawings.	316 Stainless Steel 3-Point Handle
	Basic Slotted 1/4 Turn 316 Stainless Steel
	Basic Slotted 1/4 Turn (Keylock) 316 Stainless Steel

Part No.	Box Size			Usable Depth	Panel Boss Centers		Panel Sizes			Foot Mount Centers		Cover Size				Window Dimension (Height x Width)
	A	B	C		F	S	Z	Ht.	Wid.	P/N	H	L	K	M	U	
AM24208RLW	24.00	20.00	8.13	8.59	9.63	15.25	21.00	17.00	P2420 PA2420	18.75	26.85	20.16	24.16	25.59	21.59	16.00 x 12.00
	610mm	508mm	207mm	218mm	244mm	387mm	533mm	432mm		476mm	682mm	512mm	614mm	650mm	548mm	406mm x 305mm
AM24248RLW	24.00	24.00	8.13	8.53	9.63	19.25	21.00	21.00	P2424 PA2424	22.75	26.85	24.16	24.16	25.59	25.59	16.00 x 16.00
	610mm	610mm	207mm	217mm	244mm	489mm	533mm	533mm		578mm	682mm	614mm	614mm	650mm	650mm	406mm x 406mm
AM30248RLW	30.00	24.00	8.13	8.54	12.63	19.25	27.00	21.00	P3024 PA3024	22.75	32.85	24.16	30.16	31.59	25.59	23.00 x 17.00
	762mm	610mm	207mm	217mm	321mm	489mm	686mm	533mm		578mm	834mm	614mm	766mm	802mm	650mm	584mm x 432mm
AM24200RLW	24.00	20.00	10.13	10.54	9.63	15.25	21.00	17.00	P2420 PA2420	18.75	26.85	20.16	24.16	25.59	21.59	16.00 x 12.00
	610mm	508mm	257mm	268mm	244mm	387mm	533mm	432mm		476mm	682mm	512mm	614mm	650mm	548mm	406mm x 305mm
AM24240RLW	24.00	24.00	10.13	10.54	9.63	19.25	21.00	21.00	P2424 PA2424	22.75	26.85	24.16	24.16	25.59	25.59	16.00 x 16.00
	610mm	610mm	257mm	268mm	244mm	489mm	533mm	533mm		578mm	682mm	614mm	614mm	650mm	650mm	406mm x 406mm
AM30240RLW	30.00	24.00	10.13	10.54	12.63	19.25	27.00	21.00	P3024 PA3024	22.75	32.85	24.16	30.16	31.59	25.59	23.00 x 17.00
	762mm	610mm	257mm	268mm	321mm	489mm	686mm	533mm		578mm	834mm	614mm	766mm	802mm	650mm	584mm x 432mm

All dimensions are in inches unless otherwise noted  
 Enclosure base part numbers come standard with 4 separately bagged feet (ex. AM24208RLW)  
 Additional back panels found on page 128

Data subject to change without notice



STANDARDS  
 ULTRAGUARD®  
 FIBERGLASS  
 AM SERIES  
 AM-R  
 AMHD-R  
 CONTROL  
 EMPIRE  
 ULTRALINE®  
 POLYLIN®  
 ACCESSORIES  
 MODS  
 TECHNICAL  
 INDEX

# Control Series

## FIBERGLASS ENCLOSURES

### Cover Type

Raised Solid/Opaque

### Closure Type

Twist Latch Hinged Cover



### Application

Designed to insulate and house electrical and electronic controls, instruments or components for indoor and outdoor applications

- Especially well suited for high temperature or corrosive environments
- Protects from dirt, dust, oil, and water

### Standards

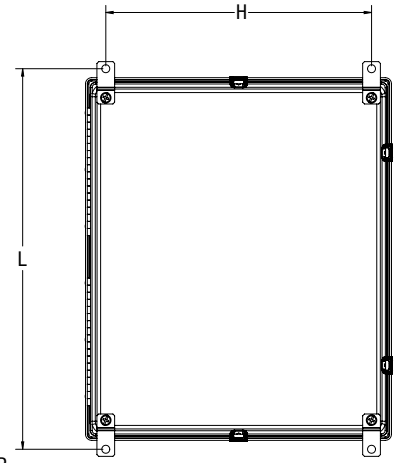
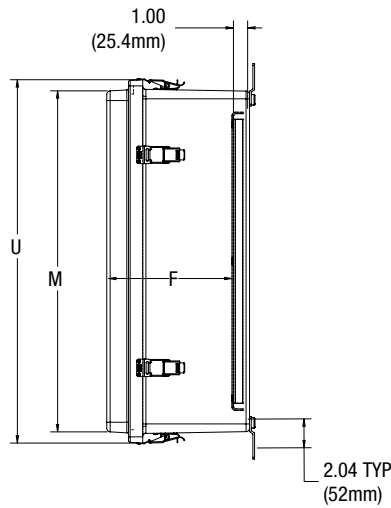
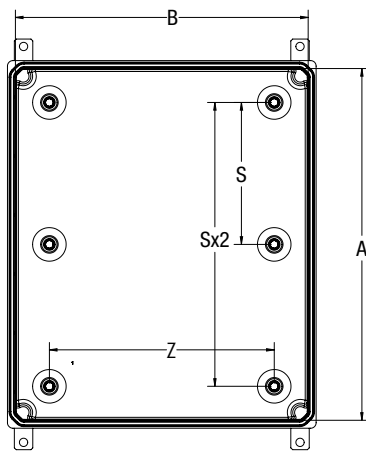
- UL 50 and UL 50E Types 1, 2, 3, 3R, 4, 4X, 12 and 13
- CSA C22.2 No. 94 Types 1, 2, 3, 3R, 4, 4X, 12 and 13
- Complies with:
  - NEMA Types 1, 2, 3, 3R, 4, 4X, 12 and 13
  - IEC 60529 Type IP66
  - RoHS directive

### Construction

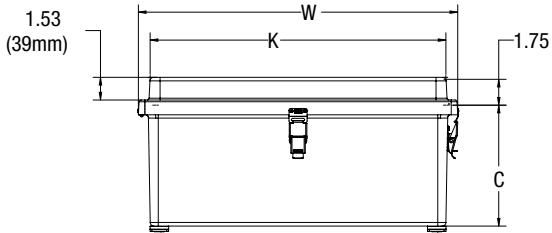
- Strong, molded ULTRAGUARD® fiberglass reinforced polyester material construction with matching raised cover
- Light gray color (RAL 7035)
- 316 stainless steel twist latches feature padlock hasp (.375" dia.)
- (2) 316 stainless steel hinges
- Formed-In-Place (FIP) polyurethane gasket system encased in continuous channel
- 316 stainless steel wall mounting feet with 3/8-16 stainless steel screws included
- 3/8-16 threaded brass inserts are installed for back panel mounting
- UV stabilized for outdoor use

### Accessories & Modifications

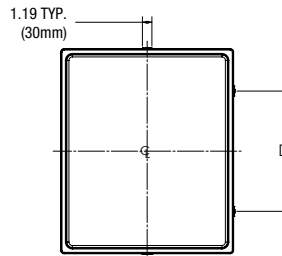
- Optional back panels and hinged front panels
- Custom holes and cutouts
- Custom size polycarbonate viewing windows
- Molded-in color matching
- EMI/RFI Shielding
- Factory-supplied silk screening



NOTE: COVER REMOVED FOR CLARITY



LATCH LOCATIONS



NOMINAL 1/8" (3mm) WALL THICKNESS

FOR USE ON:  
 24x20x8 D=15.00 (406 mm)  
 24x24x8 D=15.00 (406 mm)  
 30x24x8 D=19.98 (507 mm)

FOR USE ON:  
 24x20x10 D=15.00 (406 mm)  
 24x24x10 D=15.00 (406 mm)  
 30x24x10 D=19.98 (507 mm)

Control Series Latching Options		
Base Part #	Part No. Suffix	Description
See Chart Below	T	316 Stainless Steel Twist Latch
	3PT	316 Stainless Steel 3-Point Handle
	QT	Basic Slotted 1/4 Turn 316 Stainless Steel
	<i>*Special Order</i>	Basic Slotted 1/4 Turn (Keylock) 316 Stainless Steel

Add the "Part No. Suffix" to the base part number to create a complete enclosure option. (ex AM24208RQT is a 24"x20"x8" enclosure with a basic slotted 1/4 turn latch)

\*Available for special order only. | Visit our website to view and download all closure option drawings.

Part No.	Box Size			Usable Depth F	Panel Boss Centers		Panel Sizes			Foot Mount Centers		Cover Size			
	A	B	C		S	Z	Ht.	Wid.	P/N	H	L	K	M	U	W
AM24208R	24.00	20.00	8.13	8.67	9.63	15.25	21.00	17.00	P2420 PA2420	18.75	26.85	20.16	24.16	25.59	21.59
	610mm	508mm	207mm	220mm	244mm	387mm	533mm	432mm		476mm	682mm	512mm	614mm	650mm	548mm
AM24248R	24.00	24.00	8.13	8.65	9.63	19.25	21.00	21.00	P2424 PA2424	22.75	26.85	24.16	24.16	25.59	25.59
	610mm	610mm	207mm	220mm	244mm	489mm	533mm	533mm		578mm	682mm	614mm	614mm	650mm	650mm
AM30248R	30.00	24.00	8.13	8.65	12.63	19.25	27.00	21.00	P3024 PA3024	22.75	32.85	24.16	30.16	31.59	25.59
	762mm	610mm	207mm	220mm	321mm	489mm	686mm	533mm		578mm	834mm	614mm	766mm	802mm	650mm
AM24200R	24.00	20.00	10.13	10.65	9.63	15.25	21.00	17.00	P2420 PA2420	18.75	26.85	20.16	24.16	25.59	21.59
	610mm	508mm	257mm	271mm	244mm	387mm	533mm	432mm		476mm	682mm	512mm	614mm	650mm	548mm
AM24240R	24.00	24.00	10.13	10.65	9.63	19.25	21.00	21.00	P2424 PA2424	22.75	26.85	24.16	24.16	25.59	25.59
	610mm	610mm	257mm	271mm	244mm	489mm	533mm	533mm		578mm	682mm	614mm	614mm	650mm	650mm
AM30240R	30.00	24.00	10.13	10.65	12.63	19.25	27.00	21.00	P3024 PA3024	22.75	32.85	24.16	30.16	31.59	25.59
	762mm	610mm	257mm	271mm	321mm	489mm	686mm	533mm		578mm	834mm	614mm	766mm	802mm	650mm

All dimensions are in inches unless otherwise noted

Data subject to change without notice

Enclosure base part numbers come standard with 4 separately bagged feet (ex. AM24208RT)

Additional back panels found on page 128



STANDARDS  
 ULTRAGUARD®  
 FIBERGLASS  
 AM SERIES  
 AM-R  
 AMHD-R  
 CONTROL  
 EMPIRE  
 ULTRALINE®  
 POLYLIN®  
 ACCESSORIES  
 MODS  
 TECHNICAL  
 INDEX



## Control Series FIBERGLASS ENCLOSURES

### Cover Type

Raised Viewing Window

### Closure Type

Twist Latch Hinged Cover



### Application

Designed to insulate and house electrical and electronic controls, instruments or components for indoor and outdoor applications

- Especially well suited for high temperature or corrosive environments
- Protects from dirt, dust, oil, and water
- Window unit provides viewing area for instrumentation or equipment

### Standards

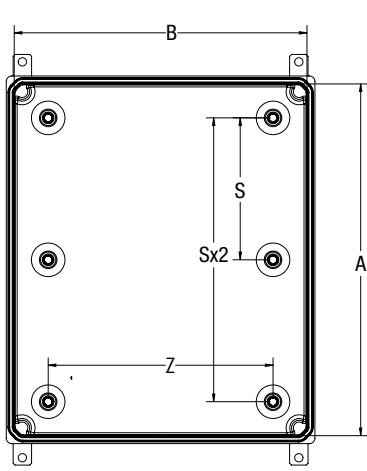
- UL 50 and UL 50E Types 1, 2, 3, 3R, 4, 4X, 12 and 13
- CSA C22.2 No. 94 Types 1, 2, 3, 3R, 4, 4X, 12 and 13
- Complies with:
  - NEMA Types 1, 2, 3, 3R, 4, 4X, 12 and 13
  - IEC 60529 Type IP66
  - RoHS directive

### Construction

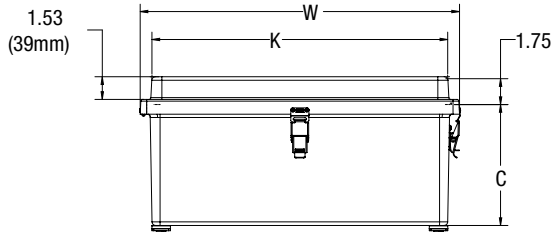
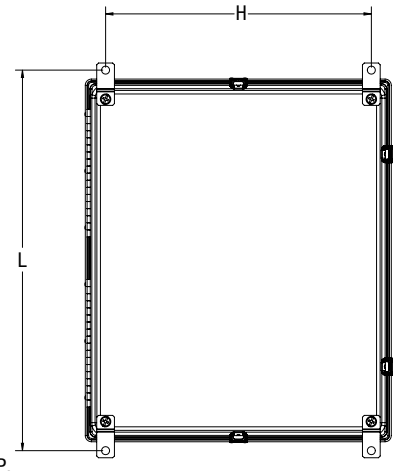
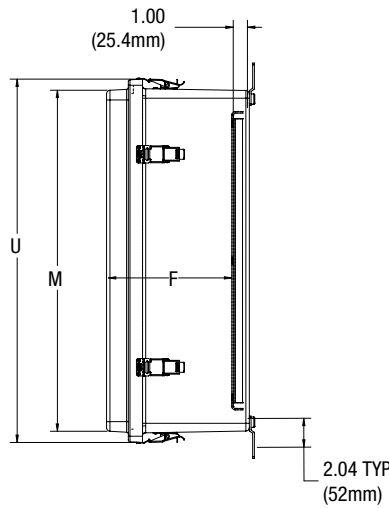
- Strong, molded ULTRAGUARD® fiberglass reinforced polyester material construction with matching raised cover
- UV resistant polycarbonate viewing window
- Light gray color (RAL 7035)
- 316 stainless steel twist latches feature padlock hasp (.375" dia.)
- (2) 316 stainless steel hinges
- Formed-In-Place (FIP) polyurethane gasket system encased in continuous channel
- 316 stainless steel wall mounting feet with 3/8-16 stainless steel screws included
- 3/8-16 threaded brass inserts are installed for back panel mounting
- UV stabilized for outdoor use

### Accessories & Modifications

- Optional back panels and hinged front panels
- Custom holes and cutouts
- Molded-in color matching
- EMI/RFI Shielding
- Factory-supplied silk screening

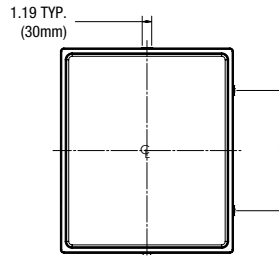


NOTE: COVER REMOVED FOR CLARITY



NOMINAL 1/8" (3mm) WALL THICKNESS

LATCH LOCATIONS



FOR USE ON:  
 24x20x8 D=15.00 (406 mm)  
 24x24x8 D=15.00 (406 mm)  
 30x24x8 D=19.98 (507 mm)

FOR USE ON:  
 24x20x10 D=15.00 (406 mm)  
 24x24x10 D=15.00 (406 mm)  
 30x24x10 D=19.98 (507 mm)

Control Series Latching Options	
Notes	Latching Option Description
<i>Available for special order only.</i> Contact the manufacturer for additional details. Visit our website to view and download all closure option drawings.	316 Stainless Steel 3-Point Handle
	Basic Slotted 1/4 Turn 316 Stainless Steel
	Basic Slotted 1/4 Turn (Keylock) 316 Stainless Steel

Part No.	Box Size			Usable Depth F	Panel Boss Centers		Panel Sizes			Foot Mount Centers		Cover Size				Window Dimension (Height x Width)
	A	B	C		S	Z	Ht.	Wid.	P/N	H	L	K	M	U	W	
AM24208RTW	24.00	20.00	8.13	8.59	9.63	15.25	21.00	17.00	P2420 PA2420	18.75	26.85	20.16	24.16	25.59	21.59	16.00 x 12.00
	610mm	508mm	207mm	218mm	244mm	387mm	533mm	432mm		476mm	682mm	512mm	614mm	650mm	548mm	406mm x 305mm
AM24248RTW	24.00	24.00	8.13	8.53	9.63	19.25	21.00	21.00	P2424 PA2424	22.75	26.85	24.16	24.16	25.59	25.59	16.00 x 16.00
	610mm	610mm	207mm	217mm	244mm	489mm	533mm	533mm		578mm	682mm	614mm	614mm	650mm	650mm	406mm x 406mm
AM30248RTW	30.00	24.00	8.13	8.54	12.63	19.25	27.00	21.00	P3024 PA3024	22.75	32.85	24.16	30.16	31.59	25.59	23.00 x 17.00
	762mm	610mm	207mm	217mm	321mm	489mm	686mm	533mm		578mm	834mm	614mm	766mm	802mm	650mm	584mm x 432mm
AM24200RTW	24.00	20.00	10.13	10.54	9.63	15.25	21.00	17.00	P2420 PA2420	18.75	26.85	20.16	24.16	25.59	21.59	16.00 x 12.00
	610mm	508mm	257mm	268mm	244mm	387mm	533mm	432mm		476mm	682mm	512mm	614mm	650mm	548mm	406mm x 305mm
AM24240RTW	24.00	24.00	10.13	10.54	9.63	19.25	21.00	21.00	P2424 PA2424	22.75	26.85	24.16	24.16	25.59	25.59	16.00 x 16.00
	610mm	610mm	257mm	268mm	244mm	489mm	533mm	533mm		578mm	682mm	614mm	614mm	650mm	650mm	406mm x 406mm
AM30240RTW	30.00	24.00	10.13	10.54	12.63	19.25	27.00	21.00	P3024 PA3024	22.75	32.85	24.16	30.16	31.59	25.59	23.00 x 17.00
	762mm	610mm	257mm	268mm	321mm	489mm	686mm	533mm		578mm	834mm	614mm	766mm	802mm	650mm	584mm x 432mm

All dimensions are in inches unless otherwise noted  
 Enclosure base part numbers come standard with 4 separately bagged feet (ex. AM24208RTW)  
 Additional back panels found on page 128

Data subject to change without notice



STANDARDS  
 ULTRAGUARD®  
 FIBERGLASS  
 AM SERIES  
 AM-R  
 AMHD-R  
 CONTROL  
 EMPIRE  
 ULTRALINE®  
 POLYLIN®  
 ACCESSORIES  
 MODS  
 TECHNICAL  
 INDEX

# Control XL Series

## FIBERGLASS ENCLOSURES

### Cover Type

Solid/Opaque

### Closure Type

3-Point Latching Handle



### Application

Designed to insulate and protect controls and components in both indoor and outdoor applications often found in oil refineries, waste water treatment equipment, chemical plants, and many other applications

- Especially well suited for high temperature or corrosive environments
- Protects from dirt, dust, oil, and water
- For use with industrial control equipment

### Standards

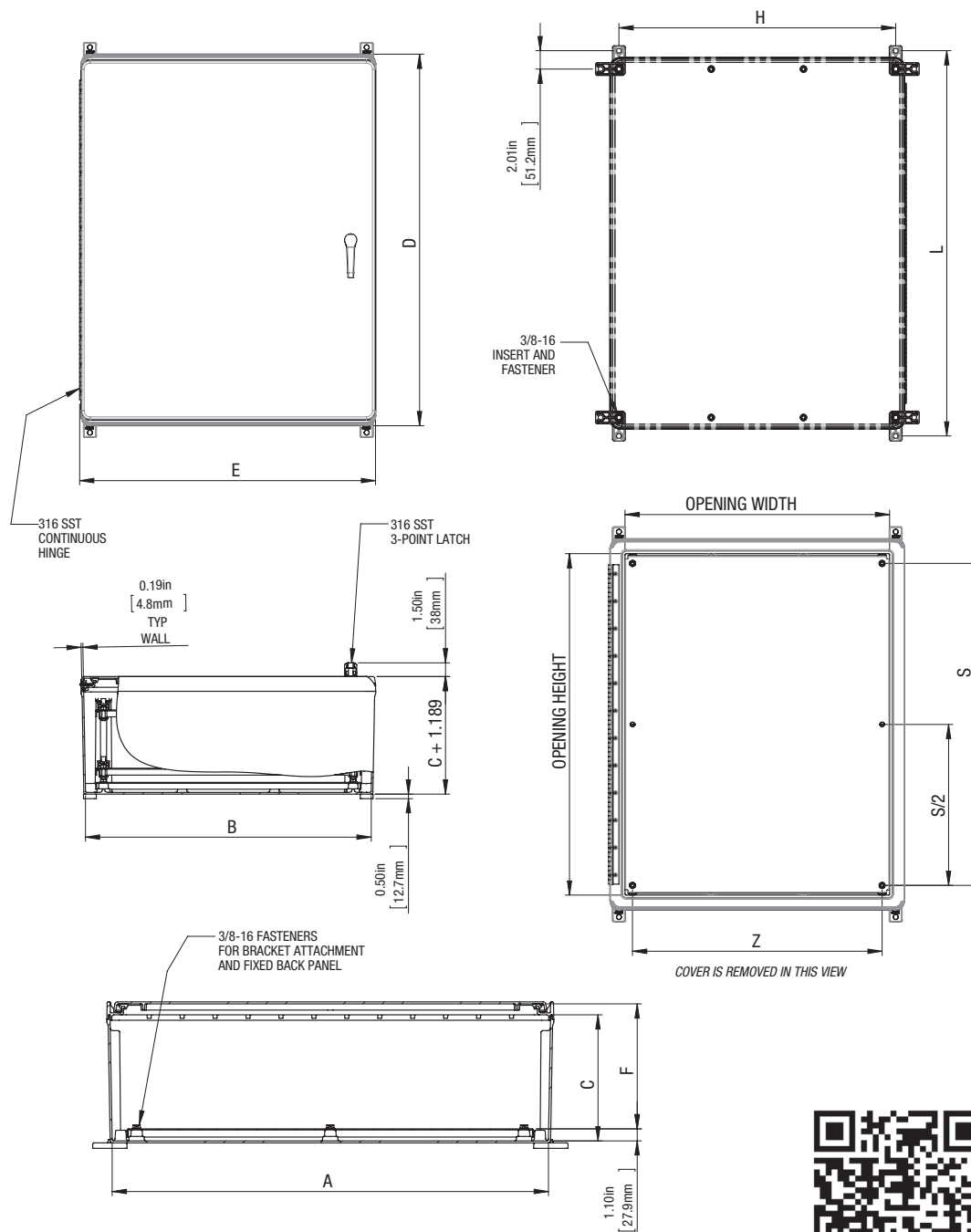
- UL 50 and UL 50E Types 1, 2, 3, 3R, 4, 4X, 12 and 13
- CSA C22.2 No. 94 Types 1, 2, 3, 3R, 4, 4X, 12 and 13
- Complies with:
  - NEMA Types 1, 2, 3, 3R, 4, 4X, 12 and 13
  - IEC 60529 Type IP66
  - RoHS directive

### Construction

- Compression molded cover and two piece box from ULTRAGUARD® material in standard light gray RAL 7035 color
- 316 stainless steel 3-point latching handle with padlock provision
- Formed-In-Place (FIP) polyurethane gasket system provides sealing means to meet IP66/NEMA 4X rating
- Rain guard is molded into enclosure box frame top and bottom for additional protection
- Can easily be reconfigured for RH or LH door opening operation
- Mounting feet are compression molded in fiberglass material with 316 stainless steel mounting screws included
- Brass inserts are installed for mounting feet; feet can be rotated 90° for alternate mounting configurations
- Heavy duty continuous 316 stainless steel hinge

### Accessories & Modifications

- Optional back panels and hinged front panels
- Custom holes and cutouts
- Custom size polycarbonate viewing windows
- Factory-supplied silk screening



Panel adjustment; (K) 6.38" (162mm)



Scan to learn more

Part No.	Box Size			Overall Box Size			Usable Depth	Foot Mount Centers		Panel Mount Centers		Enclosure Opening		Panel Sizes			Maximum Window Size	
	A	B	C	D	E	F		H	L	S	Z	Ht.	Wid.	Ht.	Wid.	P/N	Ht.	Wid.
AMXL403212L3PT	39.73	31.23	11.50	40.17	32.34	11.41	42.21	30.25	35.28	27.28	37.42	28.92	37.00	29.00	P4032 PA4032	-	-	
	1009mm	793mm	292mm	1035mm	822mm	290mm	1072mm	970mm	896mm	293mm	951mm	735mm	940mm	737mm		-	-	

All dimensions are in inches unless otherwise noted

Data subject to change without notice

Enclosure base part numbers come standard with 4 separately bagged feet (ex. AMXL403212L3PT)

Additional hardware kit available for adjustable back panel option (AMADJUST-CXL)

