

POLYLINE®

New Sizes!
16" & 18"

AMP Series Polycarbonate Enclosures

POLYLINE® enclosures come standard with industry exclusive multi-mounting capabilities, including an out-of-the-box mounting flange or adjustable mounting feet which adapt to various mounting configurations. Featuring metallic or nonmetallic latches and molded-in latch keepers and mounting bosses, a tongue-and-groove seal joint between cover and base, POLYLINE is the ultimate in polycarbonate enclosures.

A clear polycarbonate cover option is also available for instrumentation applications where critical electronic equipment must be visible and protected from the elements.



APPLICATION

- Designed to insulate and house electrical and electronic controls, instruments or components for indoor and outdoor applications
- Lightweight and impact resistant with good corrosion resistance for many industrial environments
- Protects from dirt, dust, oil and water

STANDARDS

- UL 50 and UL 50E Types 1, 2, 3, 3R, 4, 4X, 12 and 13
- CSA C22.2 No. 94 Types 1, 2, 3, 3R, 4, 4X, 12 and 13
- Complies with
 - NEMA Types 1, 2, 3, 3R, 4, 4X, 12 and 13
 - IEC 60529 Type IP66
 - RoHS directive
- Screw cover option also meets UL 50 and UL 50E Type 6P; CSA C22.2 No. 94 Type 6P; and complies with
 - IEC 60529 Type IP68 submersible up to 24 hours at a depth of 6 feet (1.8 meters)

CONSTRUCTION

- Injection molded polycarbonate thermoplastic – opaque or clear cover, enclosure base, feet and flanges
- Opaque cover, base, feet, and flanges – Light gray color (RAL 7035)
Note: flanged models are pre-assembled; if requested, foot mounting hardware supplied in a bag
- 316 stainless steel captive cover screws and foot/flange mounting hardware
- Cover seal – Formed-In-Place polyurethane gasket design
- #10-32 threaded brass inserts are installed for optional back panel mounting



Scan to learn more about
Polyline Products!

ACCESSORIES

- Back panel kits
 - Fixed back panel kit (steel)
 - Fixed back panel kit (aluminum)
- Hinged front panel kits
 - Aluminum
- ULTRAPLUG® hole plug assemblies
- Pole Mount Kits

MODIFICATIONS

- Custom holes and cutouts, along with polycarbonate viewing windows are available. Contact factory for additional modification options.

CONTACT INFORMATION

Allied Moulded Products Inc.
222 North Union Street
Bryan, OH 43506 USA

Phone: 1-800-722-2679

Fax: 1-800-237-7269

Email: sales@alliedmoulded.com



**ALLIED
MOULDED
PRODUCTS, Inc.**

www.alliedmoulded.com



POLYLINE®

16" x 14" x 8" and 18" x 16" x 10" Polycarbonate Enclosures

Two new sizes are being introduced to the growing POLYLINE® series of electrical enclosures including a 16" x 14" x 8" and 18" x 16" x 10" size option.

The new larger sizes have the same features and benefits as the current product line, but add a new nonmetal hinge design into the electrical enclosure market. The design provides superior corrosion resistance and easy maintenance and sets Allied Moulded's polycarbonate enclosures apart from the competition. The new hinge is easy to install and remove while securing your most important electrical products.

**Nonmetal
Hinge
Design!**



Cover Installation and Removal Instructions:



Step 1: To install the cover, align the cover with the box in the open position, then close the cover. Slide the hinge clip into place at a small angle



Step 2: Once the hinge clip is in place, firmly push down on the clip until in the seated position. There will be an audible snap when the clip has been correctly seated



Step 3: To remove the clip, open the box and use a flat blade screwdriver as shown. The clip will unseat after minimal rotating and pushing

ACCESSORIES

- Back panel kits
 - Fixed back panel kit in steel, P/N P164, P186
 - Fixed back panel kit in aluminum, P/N PA164, PA186
- Hinged front panel kits
 - Aluminum, P/N HFPP88
- ULTRAPLUG® hole plug assemblies
- Pole mount kit



New Hinge Mount Design



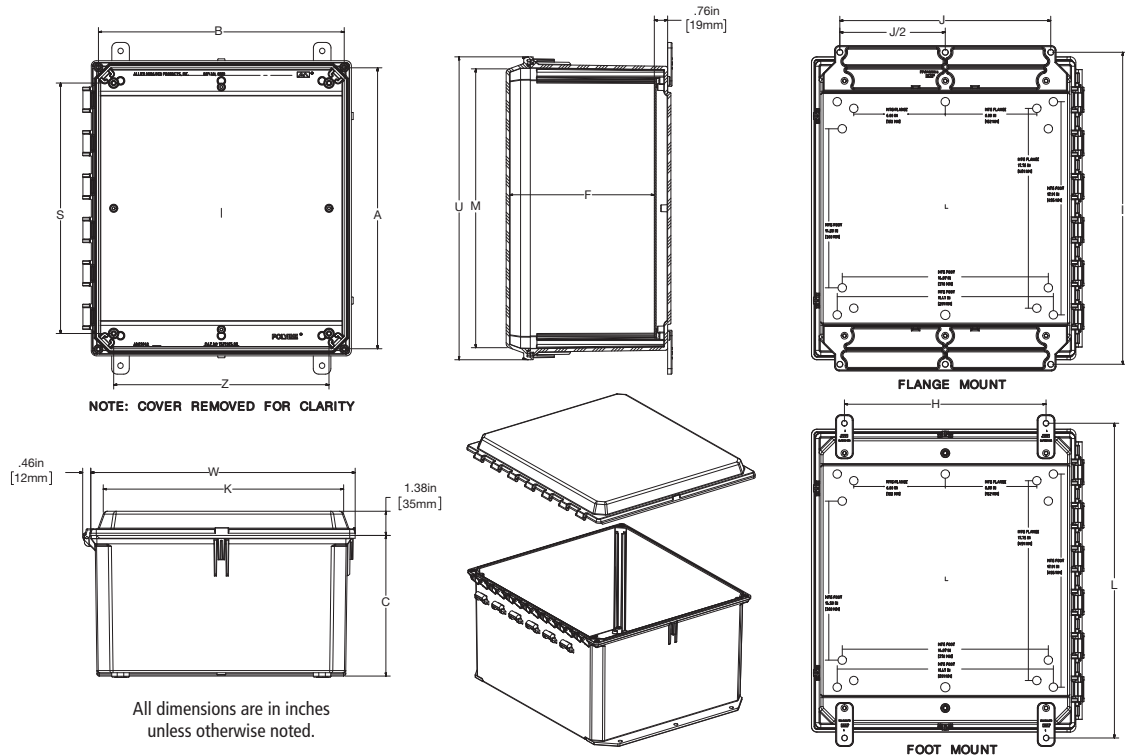
**Scan to view installation
and removal instructions!**

MODIFICATIONS

- Custom holes and cutouts, along with polycarbonate viewing windows are available. Contact factory for additional modification options.



Accessories and Product Measurement Information



	Box Size Inside Dimensions			Usable Depth F	Panel Boss Centers		Flange Mount Centers		Foot Mount Centers		Cover Size				Nominal Wall Thickness
	A	B	C		S	Z	J	I	H	L	K	M	W	U	
AMP1648(F)	15.98	13.98	7.81	8.24	14.25	12.25	12	17.75	11.47	17.91	13.68	15.63	15.04	17.22	0.19
Dimensions in mm	406	355	198	209	362	311	305	451	291	455	347	397	382	438	4.8
AMP1860(F)	18.04	16.04	10	10.27	16.26	14.26	12	19.63 19.51	13.72	19.91	15.68	17.68	17.09	19.28	0.19
Dimensions in mm	458	407	254	261	413	362	305	497 496	349	506	398	454	434	490	4.8

Optional Back Panel:

Part Number	Description
P164	Steel back panel
PA164	Aluminum back panel
P186	Steel back panel
PA186	Aluminum back panel



Optional Adjustable Hinged Front Panel:

Part Number	Description
HFPP164	Aluminum hinged front panel for AMP1648
HFPP186	Aluminum hinged front panel for AMP1868



POLYLINE®

**Launched
Nov 2014!**

8" x 8" x 4" Polycarbonate Enclosures

Recently added to the POLYLINE® Series of enclosures, the 8" x 8" x 4" is a feature rich, injection-molded polycarbonate enclosure that offers standard features such as multi-mounting capability with your choice of a mounting flange or adjustable mounting feet. A clear polycarbonate cover option will allow viewing of critical electronic instrumentation, while providing protection in harsh environments.

Featuring metallic or nonmetallic latches, molded-in latch keepers and mounting bosses, and a tongue-and-groove seal joint between cover and base, POLYLINE is the ultimate in polycarbonate enclosures.

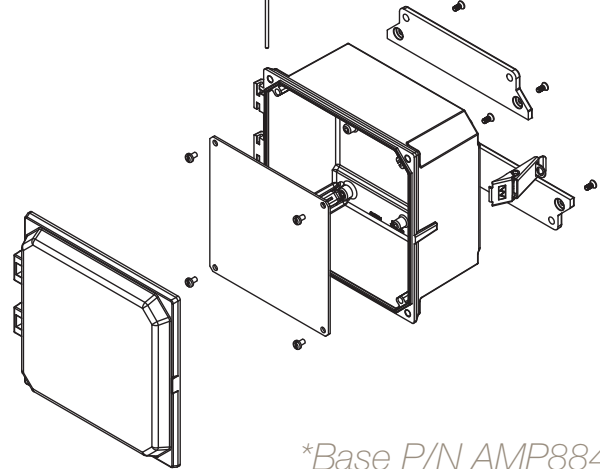
Accessories for our POLYLINE series of enclosures include optional back panels or adjustable hinged front panels to fit your specific enclosure requirement.



Molded hinge design with stainless steel tamper resistant hinge pin with no wall penetrations



Industry exclusive multi-mounting capability



*Base P/N AMP884

	Box Size Inside Dimensions			Usable Depth F	Panel Boss Centers		Flange Mount Centers		Foot Mount Centers		Cover Size				Nominal Wall Thickness
	A	B	C		S	Z	J	I	H	L	K	M	W	U	
AMP884	7.94	8.15	3.98	4.18	6.25	6.25	6.00	8.75	6.91	8.75	7.89	7.67	8.72	8.50	0.14
Dimensions in mm	202	207	101	106	159	159	152	222	175.5	222	200	195	221	216	3.7

Available Configuration Options for AMP884 POLYLINE Enclosure

Base Part Number		Cover Types		Cover Attachment Types				Mounting Types	
Base Number Model	Size	Opaque Cover	Clear Cover	Screw Cover	Hinged Screw Cover	Hinged Nonmetal Latch	Hinged Snap Latch	Foot Mount	Flange Mount
AMP884	8"x8"x4"	(none)	CC	(none)	H	NL	L	(none)	F

Example: Part number AMP884CCLF is a base enclosure with a clear cover (-CC), a hinged snap latch (-L), and a flange mount (-F).
Part number AMP884H is a base enclosure with an opaque cover, a hinged screw cover (-H), and foot mounting brackets.

222 North Union Street
Bryan, OH 43506 USA
Phone: 1-800-722-2679
Fax: 1-800-237-7269



www.alliedmoulded.com