



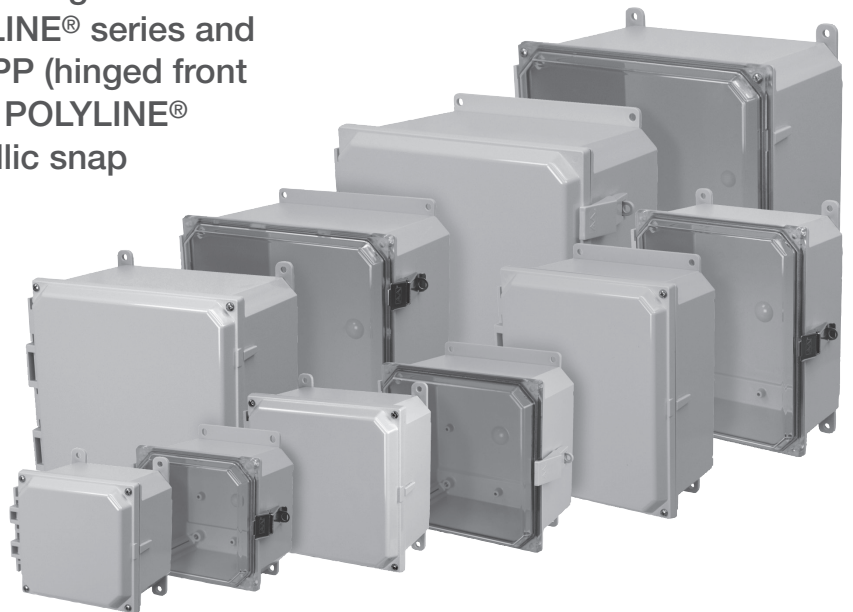
POLYLINE® SERIES

POLYCARBONATE



U.S. Pat. No. 7,572,975

The AMP polycarbonate series was developed primarily for general purpose industrial applications as an alternative to steel enclosures. The design of this product group is similar to the ULTRALINE® series and includes a provision for adjustable HFPP (hinged front panel POLYLINE®) position. Additional POLYLINE® options include clear covers, nonmetallic snap latches, and patented multi-mounting capabilities. Available sizes include 6" x 6" x 4" (152mm x 152mm x 102mm) up through 18" x 16" x 10" (457mm x 406mm x 254mm).



Scan to learn more



AMP Series Features & Benefits

- Engineering grade thermoplastic-injection molded polycarbonate
- Cover to base design - flush, aesthetically pleasing and more modern architecture
- Patented (US Pat. No. 7,572,975) multi-mounting capability
 - Out-of-the-box polycarbonate flange design (factory installed)
 - Optional polycarbonate foot mount brackets for multi-directional mounting (vertical or horizontal positioning)
 - 316 stainless steel foot/flange mounting screws
- Solid opaque or clear polycarbonate cover options
- Partial molded hinges, providing a secure cover-to-base closure with no wall penetrations
- Formed-In-Place (FIP) polyurethane gasket system
- Mounting panel inserts for optional back panel
- UV stabilized for outdoor use

AMP Series Specifications

- Non-corrosive
- Non-conductive
- Standard RAL 7035 light gray color
- Temperature-resistant
- Fire-resistant
- Rated NEMA 1, 2, 3, 3R, 4, 4X, 12 and 13
- UL® listed
- CSA certified
- Compliant with RoHS directive

Accessories

- Back panels available in painted carbon steel, or aluminum
- Optional hinged front panels
- ULTRAPLUG® hole plugs
- Pole mount kits
- HMI cover kits
- Inspection windows

Modifications

We are pleased to modify any of our standard products to fit your needs with:

- Custom holes and cutouts
- EMI/RFI shielding
- Factory-supplied silk screening

For complete details on factory modifications including a modification request form, see pages 142-144.

www.alliedmoulded.com

AMP Series

JIC SIZE JUNCTION BOXES

Cover Type

Solid/Opaque

Closure Type

Lift-Off Screw Cover



Application

Designed to insulate and protect controls and components in both indoor and outdoor applications often found in industrial control panels, pump controls/waste water treatment, irrigation/water control, solar/wind, and chemical plants

- Light weight, impact resistant and good corrosion resistance for many industrial enclosure applications and a great alternative to metallic enclosures
- Protects from dirt, dust, and water

Standards

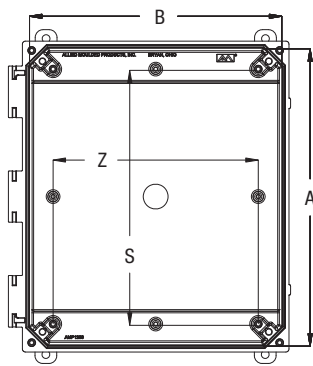
- UL 50 and UL 50E Types 1, 2, 3, 3R, 4, 4X, (6P for sizes 6"x6" up through 14"x12"), 12 and 13
- CSA C22.2 No. 94 Types 1, 2, 3, 3R, 4, 4X, (6P for sizes 6"x6" up through 14"x12"), 12 and 13
- Complies with:
 - NEMA Types 1, 2, 3, 3R, 4, 4X, (6P for sizes 6"x6" up through 14"x12"), 12 and 13
 - IEC 60529 Type IP68 submersible up to 24 hours at a depth of 6 feet (1.8 meters)
 - RoHS directive

Construction

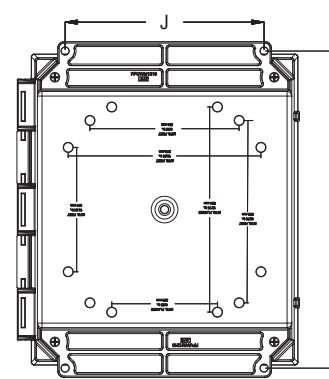
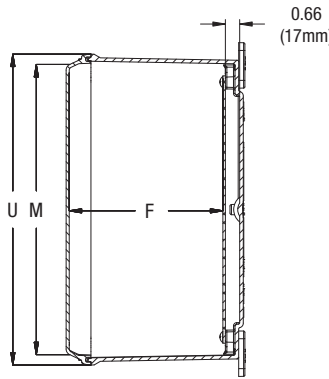
- Injection molded polycarbonate thermoplastic construction with flush, solid/opaque cover
- Opaque cover, base, feet, flanges — Light gray color (RAL 7035)
Note: foot models mounting hardware supplied in a bag. Flanged models are pre-assembled
- 316 stainless steel captive cover screws
- Formed-In-Place (FIP) polyurethane gasket system encased in continuous channel
- 316 stainless steel foot/flange mounting hardware
- Polycarbonate hinge clips (16" & 18" sizes)
- Molded-in hinge bosses removed for 6"x6", 8"x6", and 8"x8" enclosure sizes
- #10-32 threaded brass inserts are installed for back panel mounting

Accessories & Modifications

- Optional back panels and hinged front panels
- Custom holes and cutouts
- Optional foot/flange mounting hardware
- DIN rail mounting available with molded-in bosses using #10 sheet metal screws
- Factory-supplied silk screening

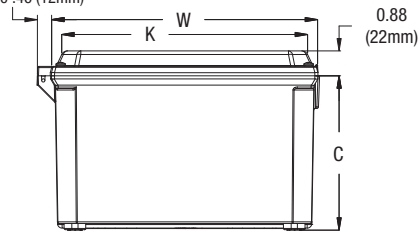


NOTE: COVER REMOVED FOR CLARITY

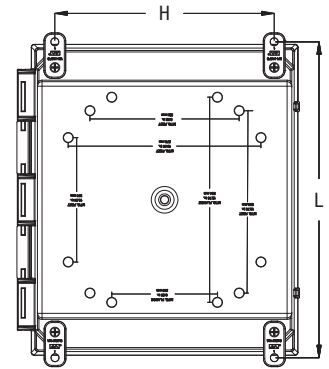


FLANGE MOUNT

6 x 6 x 4 - 14 x 12 x 6 0.56 (14mm)
16 x 14 x 8 .36 (9mm)
18 x 16 x 10 .46 (12mm)



*Nom. Wall Thickness: .14 (4mm)
14" thru 18" sizes: .19 (5mm)



FOOT MOUNT

| Part No. | Box Size | | | Usable Depth | Panel Boss Centers | | Back Panel Size | | | Flange Mount Centers | | Foot Mount Centers | | Cover Size | | | |
|---------------------|----------------|----------------|----------------|----------------|--------------------|----------------|-----------------|----------------|-----------------|----------------------|----------------------------|--------------------|----------------|----------------|----------------|----------------|----------------|
| | A | B | C | | F | S | Z | Ht. | Wid. | P/N | J | I | H | L | K | M | W |
| AMP664 AMP664F | 6.03 153mm | 6.26 159mm | 4.08 104mm | 4.06 103mm | 4.25 108mm | 4.25 108mm | 4.81 122mm | 4.81 122mm | PL66 PLA66 | 4.00 102mm | 6.88, 6.75 175, 171mm | 4.91 125mm | 6.75 171mm | 5.67 144mm | 5.45 139mm | 6.72 171mm | 6.50 165mm |
| AMP864 AMP864F | 7.94 202mm | 6.16 156mm | 4.08 104mm | 4.06 103mm | 6.25 159mm | 4.25 108mm | 6.75 171mm | 4.88 124mm | PL86 PLA86 | 4.00 102mm | 8.88, 8.75 226, 222mm | 4.91 125mm | 8.75 222mm | 5.67 144mm | 7.45 189mm | 6.72 171mm | 8.50 216mm |
| AMP884 AMP884F | 7.94 202mm | 8.16 207mm | 4.08 104mm | 4.06 103mm | 6.25 159mm | 6.25 159mm | 6.75 171mm | 6.88 175mm | PL88 PLA88 | 6.00 152mm | 8.75 222mm | 6.91 175mm | 8.75 222mm | 7.67 195mm | 7.45 189mm | 8.72 221mm | 8.50 216mm |
| AMP1082 AMP1082F | 9.93 252mm | 8.15 207mm | 2.70 69mm | 2.68 68mm | 8.25 210mm | 6.25 159mm | 8.75 222mm | 6.88 175mm | PL108 PLA108 | 6.00 152mm | 10.75 273mm | 6.91 175mm | 10.75 273mm | 7.75 197mm | 9.67 246mm | 8.72 221mm | 10.50 267mm |
| AMP1084 AMP1084F | 9.93 252mm | 8.15 207mm | 4.08 104mm | 4.06 103mm | 8.25 210mm | 6.25 159mm | 8.75 222mm | 6.88 175mm | PL108 PLA108 | 6.00 152mm | 10.75 273mm | 6.91 175mm | 10.75 273mm | 7.75 197mm | 9.67 246mm | 8.72 221mm | 10.50 267mm |
| AMP1086 AMP1086F | 9.90 255mm | 8.12 206mm | 5.94 151mm | 6.06 154mm | 8.25 210mm | 6.25 159mm | 8.75 222mm | 6.88 175mm | PL108 PLA108 | 6.00 152mm | 10.75 273mm | 6.91 175mm | 10.75 273mm | 7.75 197mm | 9.67 246mm | 8.72 221mm | 10.50 267mm |
| AMP1204 AMP1204F | 11.93 303mm | 10.15 258mm | 4.08 104mm | 4.16 106mm | 10.25 260mm | 8.25 210mm | 10.75 273mm | 8.88 225mm | PL120 PLA120 | 8.00 203mm | 12.75 324mm | 8.82 224mm | 12.70 323mm | 9.75 248mm | 11.53 293mm | 10.72 272mm | 12.50 318mm |
| AMP1206 AMP1206F | 11.93 303mm | 10.15 258mm | 6.08 154mm | 6.06 154mm | 10.25 260mm | 8.25 210mm | 10.75 273mm | 8.88 225mm | PL120 PLA120 | 8.00 203mm | 12.75 324mm | 8.82 224mm | 12.70 323mm | 9.75 248mm | 11.53 293mm | 10.72 272mm | 12.50 318mm |
| AMP1426 AMP1426F | 13.85 352mm | 12.07 307mm | 6.13 156mm | 5.99 152mm | 12.25 311mm | 10.25 260mm | 12.75 324mm | 10.88 276mm | PL142 PLA142 | 10.01 254mm | 14.75, 14.62 375, 371mm | 10.82 275mm | 14.70 373mm | 11.75 298mm | 13.53 344mm | 12.72 323mm | 14.50 368mm |
| AMP1648 AMP1648F | 15.98 406mm | 13.98 355mm | 8.00 203mm | 8.27 210mm | 14.25 362mm | 12.25 311mm | 14.75 375mm | 12.88 327mm | P164 PA164 | 12.00 305mm | 17.75 451mm | 11.47 291mm | 17.91 455mm | 13.56 344mm | 15.74 400mm | 15.04 382mm | 17.23 438mm |
| AMP1860 AMP1860F | 18.04 458mm | 16.04 407mm | 10.00 254mm | 10.27 261mm | 16.22 412mm | 14.25 362mm | 16.88 429mm | 14.88 378mm | P186 PA186 | 12.00 305mm | 19.63, 19.51 499, 496mm | 13.72 349mm | 19.91 506mm | 15.56 395mm | 17.74 451mm | 17.10 434mm | 19.28 490mm |

All dimensions are in inches unless otherwise noted

"I" dimensions with multiple numbers indicate slotted holes

All sizes 6" x 6" x 4" up through 14" x 12" x 6" are rated 6P (IP68)

Enclosure base part numbers come standard with 4 separately bagged feet (ex. AMP664)

Part numbers with "F" signify factory installed flanges (ex. AMP664F)

Back panel specifications found on page 130

Data subject to change without notice



AMP Series

JIC SIZE JUNCTION BOXES

Cover Type

Clear Polycarbonate

Closure Type

Lift-Off Screw Cover



Application

Designed to insulate and protect controls and components in both indoor and outdoor applications often found in industrial control panels, pump controls/waste water treatment, irrigation/water control, solar/wind, and chemical plants

- Light weight, impact resistant and good corrosion resistance for many industrial enclosure applications and a great alternative to metallic enclosures
- Protects from dirt, dust, and water
- Clear polycarbonate instrumentation cover, used in applications where critical electronic equipment must be visible and protected from the elements

Standards

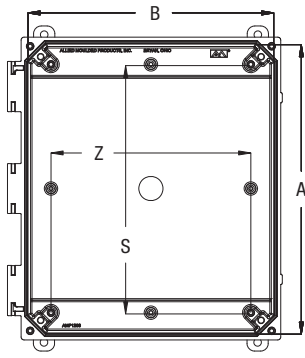
- UL 50 and UL 50E Types 1, 2, 3, 3R, 4, 4X, (6P for sizes 6"x6" up through 14"x12"), 12 and 13
- CSA C22.2 No. 94 Types 1, 2, 3, 3R, 4, 4X, (6P for sizes 6"x6" up through 14"x12"), 12 and 13
- Complies with:
 - NEMA Types 1, 2, 3, 3R, 4, 4X, (6P for sizes 6"x6" up through 14"x12"), 12 and 13
 - IEC 60529 Type IP68 submersible up to 24 hours at a depth of 6 feet (1.8 meters)
 - RoHS directive

Construction

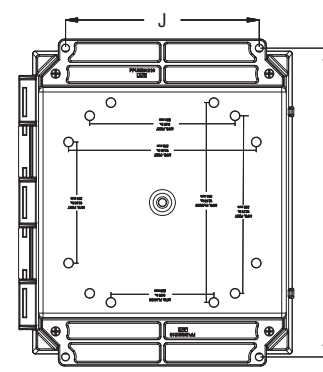
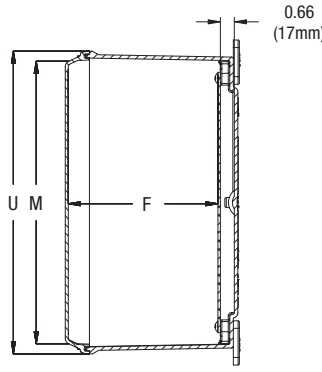
- Injection molded polycarbonate thermoplastic construction with flush, clear polycarbonate cover
- Enclosure base, feet, flanges — Light gray color (RAL 7035)
Note: foot models mounting hardware supplied in a bag. Flanged models are pre-assembled
- 316 stainless steel captive cover screws
- Formed-In-Place (FIP) polyurethane gasket system encased in continuous channel
- 316 stainless steel foot/flange mounting hardware
- Polycarbonate hinge clips (16" & 18" sizes)
- Molded-in hinge bosses removed for 6"x6", 8"x6", and 8"x8" enclosure sizes
- #10-32 threaded brass inserts are installed for back panel mounting

Accessories & Modifications

- Optional back panels and hinged front panels
- Custom holes and cutouts
- Optional foot/flange mounting hardware
- DIN rail mounting available with molded-in bosses using #10 sheet metal screws
- Factory-supplied silk screening

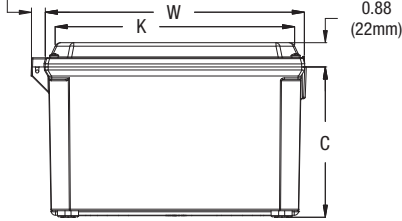


NOTE: COVER REMOVED FOR CLARITY

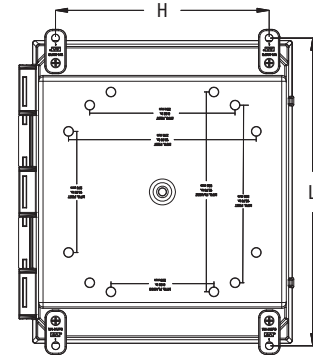


FLANGE MOUNT

6 x 6 x 4 - 14 x 12 x 6 0.56 (14mm)
16 x 14 x 8 .36 (9mm)
18 x 16 x 10 .46 (12mm)



*Nom. Wall Thickness: .14 (4mm)
14" thru 18" sizes: .19 (5mm)



FOOT MOUNT

| Part No. | Box Size | | | Usable Depth | Panel Boss Centers | | Back Panel Size | | | Flange Mount Centers | | Foot Mount Centers | | Cover Size | | | |
|-------------------------|----------------|----------------|----------------|----------------|--------------------|----------------|-----------------|----------------|-----------------|----------------------|----------------------------|--------------------|----------------|----------------|----------------|----------------|----------------|
| | A | B | C | | F | S | Z | Ht. | Wid. | P/N | J | I | H | L | K | M | W |
| AMP664CC AMP664CCF | 6.03 153mm | 6.26 159mm | 4.08 104mm | 4.06 103mm | 4.25 108mm | 4.25 108mm | 4.81 122mm | 4.81 122mm | PL66 PLA66 | 4.00 102mm | 6.88, 6.75 175, 171mm | 4.91 125mm | 6.75 171mm | 5.67 144mm | 5.45 139mm | 6.72 171mm | 6.50 165mm |
| AMP864CC AMP864CCF | 7.94 202mm | 6.16 156mm | 4.08 104mm | 4.06 103mm | 6.25 159mm | 4.25 108mm | 6.75 171mm | 4.88 124mm | PL86 PLA86 | 4.00 102mm | 8.88, 8.75 226, 222mm | 4.91 125mm | 8.75 222mm | 5.67 144mm | 7.45 189mm | 6.72 171mm | 8.50 216mm |
| AMP884CC AMP884CCF | 7.94 202mm | 8.16 207mm | 4.08 104mm | 4.06 103mm | 6.25 159mm | 6.25 159mm | 6.75 171mm | 6.88 175mm | PL88 PLA88 | 6.00 152mm | 8.75 222mm | 6.91 175mm | 8.75 222mm | 7.67 195mm | 7.45 189mm | 8.72 221mm | 8.50 216mm |
| AMP1082CC AMP1082CCF | 9.93 252mm | 8.15 207mm | 2.70 69mm | 2.68 68mm | 8.25 210mm | 6.25 159mm | 8.75 222mm | 6.88 175mm | PL108 PLA108 | 6.00 152mm | 10.75 273mm | 6.91 175mm | 10.75 273mm | 7.75 197mm | 9.67 246mm | 8.72 221mm | 10.50 267mm |
| AMP1084CC AMP1084CCF | 9.93 252mm | 8.15 207mm | 4.08 104mm | 4.06 103mm | 8.25 210mm | 6.25 159mm | 8.75 222mm | 6.88 175mm | PL108 PLA108 | 6.00 152mm | 10.75 273mm | 6.91 175mm | 10.75 273mm | 7.75 197mm | 9.67 246mm | 8.72 221mm | 10.50 267mm |
| AMP1086CC AMP1086CCF | 9.90 255mm | 8.12 206mm | 5.94 151mm | 6.06 154mm | 8.25 210mm | 6.25 159mm | 8.75 222mm | 6.88 175mm | PL108 PLA108 | 6.00 152mm | 10.75 273mm | 6.91 175mm | 10.75 273mm | 7.75 197mm | 9.67 246mm | 8.72 221mm | 10.50 267mm |
| AMP1204CC AMP1204CCF | 11.93 303mm | 10.15 258mm | 4.08 104mm | 4.16 106mm | 10.25 260mm | 8.25 210mm | 10.75 273mm | 8.88 225mm | PL120 PLA120 | 8.00 203mm | 12.75 324mm | 8.82 224mm | 12.70 323mm | 9.75 248mm | 11.53 293mm | 10.72 272mm | 12.50 318mm |
| AMP1206CC AMP1206CCF | 11.93 303mm | 10.15 258mm | 6.08 154mm | 6.06 154mm | 10.25 260mm | 8.25 210mm | 10.75 273mm | 8.88 225mm | PL120 PLA120 | 8.00 203mm | 12.75 324mm | 8.82 224mm | 12.70 323mm | 9.75 248mm | 11.53 293mm | 10.72 272mm | 12.50 318mm |
| AMP1426CC AMP1426CCF | 13.85 352mm | 12.07 307mm | 6.13 156mm | 5.99 152mm | 12.25 311mm | 10.25 260mm | 12.75 324mm | 10.88 276mm | PL142 PLA142 | 10.01 254mm | 14.75, 14.62 375, 371mm | 10.82 275mm | 14.70 373mm | 11.75 298mm | 13.53 344mm | 12.72 323mm | 14.50 368mm |
| AMP1648CC AMP1648CCF | 15.98 406mm | 13.98 355mm | 8.00 203mm | 8.27 210mm | 14.25 362mm | 12.25 311mm | 14.75 375mm | 12.88 327mm | P164 PA164 | 12.00 305mm | 17.75 451mm | 11.47 291mm | 17.91 455mm | 13.56 344mm | 15.74 400mm | 15.04 382mm | 17.23 438mm |
| AMP1860CC AMP1860CCF | 18.04 458mm | 16.04 407mm | 10.00 254mm | 10.27 261mm | 16.22 412mm | 14.25 362mm | 16.88 429mm | 14.88 378mm | P186 PA186 | 12.00 305mm | 19.63, 19.51 499, 496mm | 13.72 349mm | 19.91 506mm | 15.56 395mm | 17.74 451mm | 17.10 434mm | 19.28 490mm |

All dimensions are in inches unless otherwise noted

Data subject to change without notice

"I" dimensions with multiple numbers indicate slotted holes

All sizes 6" x 6" x 4" up through 14" x 12" x 6" are rated 6P (IP68)

Enclosure base part numbers come standard with 4 separately bagged feet (ex. AMP664CC)

Part numbers with "F" signify factory installed flanges (ex. AMP664CCF)

Back panel specifications found on page 130



AMP Series

JIC SIZE JUNCTION BOXES

Cover Type

Solid/Opaque

Closure Type

Hinged Screw Cover



Application

Designed to insulate and protect controls and components in both indoor and outdoor applications often found in industrial control panels, pump controls/waste water treatment, irrigation/water control, solar/wind, and chemical plants

- Light weight, impact resistant and good corrosion resistance for many industrial enclosure applications and a great alternative to metallic enclosures
- Protects from dirt, dust, and water

Standards

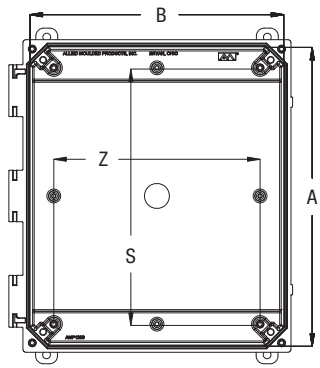
- UL 50 and UL 50E Types 1, 2, 3, 3R, 4, 4X, 12 and 13
- CSA C22.2 No. 94 Types 1, 2, 3, 3R, 4, 4X, 12 and 13
- Complies with:
 - NEMA Types 1, 2, 3, 3R, 4, 4X, 12 and 13
 - IEC 60529 Type IP66
 - RoHS directive

Construction

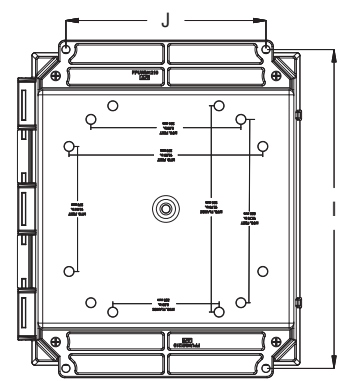
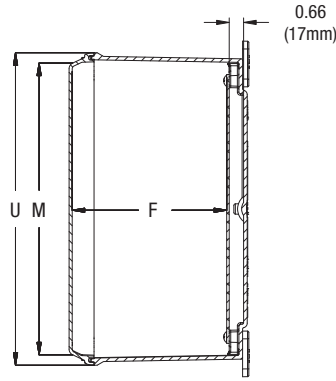
- Injection molded polycarbonate thermoplastic construction with flush, solid/opaque cover
- Opaque cover, base, feet, flanges — Light gray color (RAL 7035)
Note: foot models mounting hardware supplied in a bag. Flanged models are pre-assembled
- 316 stainless steel captive cover screws
- Formed-In-Place (FIP) polyurethane gasket system encased in continuous channel
- 316 stainless steel foot/flange mounting hardware
- 316 stainless steel hinge pin (6"-14" sizes)
- Polycarbonate hinge clips (16" & 18" sizes)
- #10-32 threaded brass inserts are installed for back panel mounting

Accessories & Modifications

- Optional back panels and hinged front panels
- Custom holes and cutouts
- Optional foot/flange mounting hardware
- DIN rail mounting available with molded-in bosses using #10 sheet metal screws
- Factory-supplied silk screening

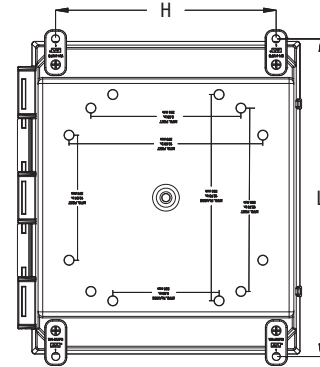
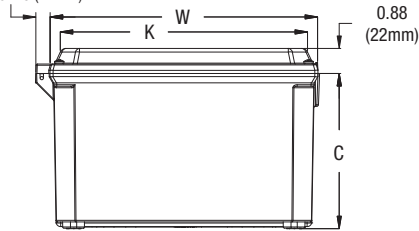


NOTE: COVER REMOVED FOR CLARITY



FLANGE MOUNT

6 x 6 x 4 - 14 x 12 x 6 0.56 (14mm)
 16 x 14 x 8 .36 (9mm)
 18 x 16 x 10 .46 (12mm)



FOOT MOUNT

*Nom. Wall Thickness: .14 (4mm)
 14" thru 18" sizes: .19 (5mm)

| Part No. | Box Size | | | Usable Depth | Panel Boss Centers | | | Back Panel Size | | | Flange Mount Centers | | Foot Mount Centers | | Cover Size | | | |
|-----------|----------|-------|-------|--------------|--------------------|-------|-------|-----------------|-----------------|-------|----------------------|-------|--------------------|-------|------------|-------|-------|---|
| | A | B | C | | F | S | Z | Ht. | Wid. | P/N | J | I | H | L | K | M | W | U |
| AMP664H | 6.03 | 6.26 | 4.08 | 4.06 | 4.25 | 4.25 | 4.81 | 4.81 | PL66 PLA66 | 4.00 | 6.88, 6.75 | 4.91 | 6.75 | 5.67 | 5.45 | 6.72 | 6.50 | |
| AMP664HF | 153mm | 159mm | 104mm | 103mm | 108mm | 108mm | 122mm | 122mm | | 102mm | 175, 171mm | 125mm | 171mm | 144mm | 139mm | 171mm | 165mm | |
| AMP864H | 7.94 | 6.16 | 4.08 | 4.06 | 6.25 | 4.25 | 6.75 | 4.88 | PL86 PLA86 | 4.00 | 8.88, 8.75 | 4.91 | 8.75 | 5.67 | 7.45 | 6.72 | 8.50 | |
| AMP864HF | 202mm | 156mm | 104mm | 103mm | 159mm | 108mm | 171mm | 124mm | | 102mm | 226, 222mm | 125mm | 222mm | 144mm | 189mm | 171mm | 216mm | |
| AMP884H | 7.94 | 8.16 | 4.08 | 4.06 | 6.25 | 6.25 | 6.75 | 6.88 | PL88 PLA88 | 6.00 | 8.75 | 6.91 | 8.75 | 7.67 | 7.45 | 8.72 | 8.50 | |
| AMP884HF | 202mm | 207mm | 104mm | 103mm | 159mm | 159mm | 171mm | 175mm | | 152mm | 222mm | 175mm | 222mm | 195mm | 189mm | 221mm | 216mm | |
| AMP1082H | 9.93 | 8.15 | 2.70 | 2.68 | 8.25 | 6.25 | 8.75 | 6.88 | PL108 PLA108 | 6.00 | 10.75 | 6.91 | 10.75 | 7.75 | 9.67 | 8.72 | 10.50 | |
| AMP1082HF | 252mm | 207mm | 69mm | 68mm | 210mm | 159mm | 222mm | 175mm | | 152mm | 273mm | 175mm | 273mm | 197mm | 246mm | 221mm | 267mm | |
| AMP1084H | 9.93 | 8.15 | 4.08 | 4.06 | 8.25 | 6.25 | 8.75 | 6.88 | PL108 PLA108 | 6.00 | 10.75 | 6.91 | 10.75 | 7.75 | 9.67 | 8.72 | 10.50 | |
| AMP1084HF | 252mm | 207mm | 104mm | 103mm | 210mm | 159mm | 222mm | 175mm | | 152mm | 273mm | 175mm | 273mm | 197mm | 246mm | 221mm | 267mm | |
| AMP1086H | 9.90 | 8.12 | 5.94 | 6.06 | 8.25 | 6.25 | 8.75 | 6.88 | PL108 PLA108 | 6.00 | 10.75 | 6.91 | 10.75 | 7.75 | 9.67 | 8.72 | 10.50 | |
| AMP1086HF | 255mm | 206mm | 151mm | 154mm | 210mm | 159mm | 222mm | 175mm | | 152mm | 273mm | 175mm | 273mm | 197mm | 246mm | 221mm | 267mm | |
| AMP1204H | 11.93 | 10.15 | 4.08 | 4.16 | 10.25 | 8.25 | 10.75 | 8.88 | PL120 PLA120 | 8.00 | 12.75 | 8.82 | 12.70 | 9.75 | 11.53 | 10.72 | 12.50 | |
| AMP1204HF | 303mm | 258mm | 104mm | 106mm | 260mm | 210mm | 273mm | 225mm | | 203mm | 324mm | 224mm | 323mm | 248mm | 293mm | 272mm | 318mm | |
| AMP1206H | 11.93 | 10.15 | 6.08 | 6.06 | 10.25 | 8.25 | 10.75 | 8.88 | PL120 PLA120 | 8.00 | 12.75 | 8.82 | 12.70 | 9.75 | 11.53 | 10.72 | 12.50 | |
| AMP1206HF | 303mm | 258mm | 154mm | 154mm | 260mm | 210mm | 273mm | 225mm | | 203mm | 324mm | 224mm | 323mm | 248mm | 293mm | 272mm | 318mm | |
| AMP1426H | 13.85 | 12.07 | 6.13 | 5.99 | 12.25 | 10.25 | 12.75 | 10.88 | PL142 PLA142 | 10.01 | 14.75, 14.62 | 10.82 | 14.70 | 11.75 | 13.53 | 12.72 | 14.50 | |
| AMP1426HF | 352mm | 307mm | 156mm | 152mm | 311mm | 260mm | 324mm | 276mm | | 254mm | 375, 371mm | 275mm | 373mm | 298mm | 344mm | 323mm | 368mm | |
| AMP1648H | 15.98 | 13.98 | 8.00 | 8.27 | 14.25 | 12.25 | 14.75 | 12.88 | P164 PA164 | 12.00 | 17.75 | 11.47 | 17.91 | 13.56 | 15.74 | 15.04 | 17.23 | |
| AMP1648HF | 406mm | 355mm | 203mm | 210mm | 362mm | 311mm | 375mm | 327mm | | 305mm | 451mm | 291mm | 455mm | 344mm | 400mm | 382mm | 438mm | |
| AMP1860H | 18.04 | 16.04 | 10.00 | 10.27 | 16.22 | 14.25 | 16.88 | 14.88 | P186 PA186 | 12.00 | 19.63, 19.51 | 13.72 | 19.91 | 15.56 | 17.74 | 17.10 | 19.28 | |
| AMP1860HF | 458mm | 407mm | 254mm | 261mm | 412mm | 362mm | 429mm | 378mm | | 305mm | 499, 496mm | 349mm | 506mm | 395mm | 451mm | 434mm | 490mm | |

All dimensions are in inches unless otherwise noted
 "I" dimensions with multiple numbers indicate slotted holes

Data subject to change without notice

Enclosure base part numbers come standard with 4 separately bagged feet (ex. AMP664H)

Part numbers with "F" signify factory installed flanges (ex. AMP664HF)

Back panel specifications found on page 130



AMP Series

JIC SIZE JUNCTION BOXES

Cover Type

Clear Polycarbonate

Closure Type

Hinged Screw Cover



Application

Designed to insulate and protect controls and components in both indoor and outdoor applications often found in industrial control panels, pump controls/waste water treatment, irrigation/water control, solar/wind, and chemical plants

- Light weight, impact resistant and good corrosion resistance for many industrial enclosure applications and a great alternative to metallic enclosures
- Protects from dirt, dust, and water
- Clear polycarbonate instrumentation cover, used in applications where critical electronic equipment must be visible and protected from the elements

Standards

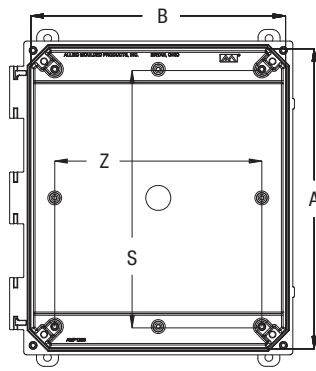
- UL 50 and UL 50E Types 1, 2, 3, 3R, 4, 4X, 12 and 13
- CSA C22.2 No. 94 Types 1, 2, 3, 3R, 4, 4X, 12 and 13
- Complies with:
 - NEMA Types 1, 2, 3, 3R, 4, 4X, 12 and 13
 - IEC 60529 Type IP66
 - RoHS directive

Construction

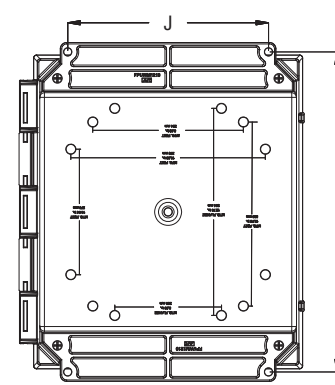
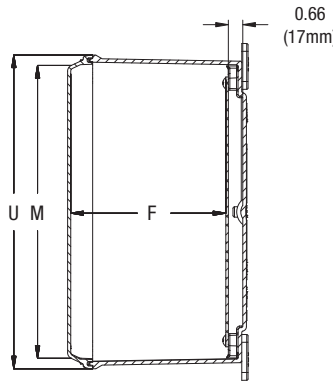
- Injection molded polycarbonate thermoplastic construction with flush, clear polycarbonate cover
- Enclosure base, feet, flanges — Light gray color (RAL 7035)
Note: foot models mounting hardware supplied in a bag. Flanged models are pre-assembled
- 316 stainless steel captive cover screws
- Formed-In-Place (FIP) polyurethane gasket system encased in continuous channel
- 316 stainless steel foot/flange mounting hardware
- 316 stainless steel hinge pin (6"-14" sizes)
- Polycarbonate hinge clips (16" & 18" sizes)
- #10-32 threaded brass inserts are installed for back panel mounting

Accessories & Modifications

- Optional back panels and hinged front panels
- Custom holes and cutouts
- Optional foot/flange mounting hardware
- DIN rail mounting available with molded-in bosses using #10 sheet metal screws
- Factory-supplied silk screening

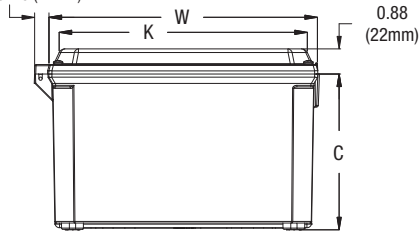


NOTE: COVER REMOVED FOR CLARITY

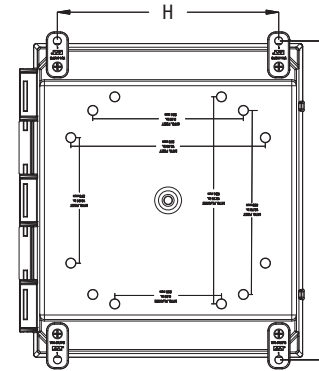


FLANGE MOUNT

6 x 6 x 4 - 14 x 12 x 6 0.56 (14mm)
16 x 14 x 8 .36 (9mm)
18 x 16 x 10 .46 (12mm)



*Nom. Wall Thickness: .14 (4mm)
14" thru 18" sizes: .19 (5mm)



FOOT MOUNT

| Part No. | Box Size | | | Usable Depth | Panel Boss Centers | | Back Panel Size | | | Flange Mount Centers | | Foot Mount Centers | | Cover Size | | | |
|-------------|----------|-------|-------|--------------|--------------------|-------|-----------------|-------|-----------------|----------------------|--------------|--------------------|-------|------------|-------|-------|-------|
| | A | B | C | | F | S | Z | Ht. | Wid. | P/N | J | I | H | L | K | M | W |
| AMP664CCH | 6.03 | 6.26 | 4.08 | 4.06 | 4.25 | 4.25 | 4.81 | 4.81 | PL66 PLA66 | 4.00 | 6.88, 6.75 | 4.91 | 6.75 | 5.67 | 5.45 | 6.72 | 6.50 |
| AMP664CCHF | 153mm | 159mm | 104mm | 103mm | 108mm | 108mm | 122mm | 122mm | | 102mm | 175, 171mm | 125mm | 171mm | 144mm | 139mm | 171mm | 165mm |
| AMP864CCH | 7.94 | 6.16 | 4.08 | 4.06 | 6.25 | 4.25 | 6.75 | 4.88 | PL86 PLA86 | 4.00 | 8.88, 8.75 | 4.91 | 8.75 | 5.67 | 7.45 | 6.72 | 8.50 |
| AMP864CCHF | 202mm | 156mm | 104mm | 103mm | 159mm | 108mm | 171mm | 124mm | | 102mm | 226, 222mm | 125mm | 222mm | 144mm | 189mm | 171mm | 216mm |
| AMP884CCH | 7.94 | 8.16 | 4.08 | 4.06 | 6.25 | 6.25 | 6.75 | 6.88 | PL88 PLA88 | 6.00 | 8.75 | 6.91 | 8.75 | 7.67 | 7.45 | 8.72 | 8.50 |
| AMP884CCHF | 202mm | 207mm | 104mm | 103mm | 159mm | 159mm | 171mm | 175mm | | 152mm | 222mm | 175mm | 222mm | 195mm | 189mm | 221mm | 216mm |
| AMP1082CCH | 9.93 | 8.15 | 2.70 | 2.68 | 8.25 | 6.25 | 8.75 | 6.88 | PL108 PLA108 | 6.00 | 10.75 | 6.91 | 10.75 | 7.75 | 9.67 | 8.72 | 10.50 |
| AMP1082CCHF | 252mm | 207mm | 69mm | 68mm | 210mm | 159mm | 222mm | 175mm | | 152mm | 273mm | 175mm | 273mm | 197mm | 246mm | 221mm | 267mm |
| AMP1084CCH | 9.93 | 8.15 | 4.08 | 4.06 | 8.25 | 6.25 | 8.75 | 6.88 | PL108 PLA108 | 6.00 | 10.75 | 6.91 | 10.75 | 7.75 | 9.67 | 8.72 | 10.50 |
| AMP1084CCHF | 252mm | 207mm | 104mm | 103mm | 210mm | 159mm | 222mm | 175mm | | 152mm | 273mm | 175mm | 273mm | 197mm | 246mm | 221mm | 267mm |
| AMP1086CCH | 9.90 | 8.12 | 5.94 | 6.06 | 8.25 | 6.25 | 8.75 | 6.88 | PL108 PLA108 | 6.00 | 10.75 | 6.91 | 10.75 | 7.75 | 9.67 | 8.72 | 10.50 |
| AMP1086CCHF | 255mm | 206mm | 151mm | 154mm | 210mm | 159mm | 222mm | 175mm | | 152mm | 273mm | 175mm | 273mm | 197mm | 246mm | 221mm | 267mm |
| AMP1204CCH | 11.93 | 10.15 | 4.08 | 4.16 | 10.25 | 8.25 | 10.75 | 8.88 | PL120 PLA120 | 8.00 | 12.75 | 8.82 | 12.70 | 9.75 | 11.53 | 10.72 | 12.50 |
| AMP1204CCHF | 303mm | 258mm | 104mm | 106mm | 260mm | 210mm | 273mm | 225mm | | 203mm | 324mm | 224mm | 323mm | 248mm | 293mm | 272mm | 318mm |
| AMP1206CCH | 11.93 | 10.15 | 6.08 | 6.06 | 10.25 | 8.25 | 10.75 | 8.88 | PL120 PLA120 | 8.00 | 12.75 | 8.82 | 12.70 | 9.75 | 11.53 | 10.72 | 12.50 |
| AMP1206CCHF | 303mm | 258mm | 154mm | 154mm | 260mm | 210mm | 273mm | 225mm | | 203mm | 324mm | 224mm | 323mm | 248mm | 293mm | 272mm | 318mm |
| AMP1426CCH | 13.85 | 12.07 | 6.13 | 5.99 | 12.25 | 10.25 | 12.75 | 10.88 | PL142 PLA142 | 10.01 | 14.75, 14.62 | 10.82 | 14.70 | 11.75 | 13.53 | 12.72 | 14.50 |
| AMP1426CCHF | 352mm | 307mm | 156mm | 152mm | 311mm | 260mm | 324mm | 276mm | | 254mm | 375, 371mm | 275mm | 373mm | 298mm | 344mm | 323mm | 368mm |
| AMP1648CCH | 15.98 | 13.98 | 8.00 | 8.27 | 14.25 | 12.25 | 14.75 | 12.88 | P164 PA164 | 12.00 | 17.75 | 11.47 | 17.91 | 13.56 | 15.74 | 15.04 | 17.23 |
| AMP1648CCHF | 406mm | 355mm | 203mm | 210mm | 362mm | 311mm | 375mm | 327mm | | 305mm | 451mm | 291mm | 455mm | 344mm | 400mm | 382mm | 438mm |
| AMP1860CCH | 18.04 | 16.04 | 10.00 | 10.27 | 16.22 | 14.25 | 16.88 | 14.88 | P186 PA186 | 12.00 | 19.63, 19.51 | 13.72 | 19.91 | 15.56 | 17.74 | 17.10 | 19.28 |
| AMP1860CCHF | 458mm | 407mm | 254mm | 261mm | 412mm | 362mm | 429mm | 378mm | | 305mm | 499, 496mm | 349mm | 506mm | 395mm | 451mm | 434mm | 490mm |

All dimensions are in inches unless otherwise noted
"I" dimensions with multiple numbers indicate slotted holes

Enclosure base part numbers come standard with 4 separately bagged feet (ex. AMP664CCH)

Part numbers with "F" signify factory installed flanges (ex. AMP664CCHF)

Back panel specifications found on page 130

Data subject to change without notice



AMP Series

JIC SIZE JUNCTION BOXES

Cover Type

Solid/Opaque

Closure Type

Nonmetal Snap Latch
Hinged Cover



Application

Designed to insulate and protect controls and components in both indoor and outdoor applications often found in industrial control panels, pump controls/waste water treatment, irrigation/water control, solar/wind, and chemical plants

- Light weight, impact resistant and good corrosion resistance for many industrial enclosure applications and a great alternative to metallic enclosures
- Protects from dirt, dust, and water

Standards

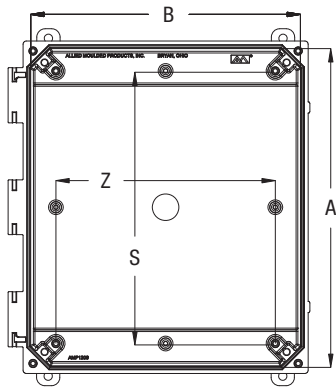
- UL 50 and UL 50E Types 1, 2, 3, 3R, 4, 4X, 12 and 13
- CSA C22.2 No. 94 Types 1, 2, 3, 3R, 4, 4X, 12 and 13
- Complies with:
 - NEMA Types 1, 2, 3, 3R, 4, 4X, 12 and 13
 - IEC 60529 Type IP66
 - RoHS directive

Construction

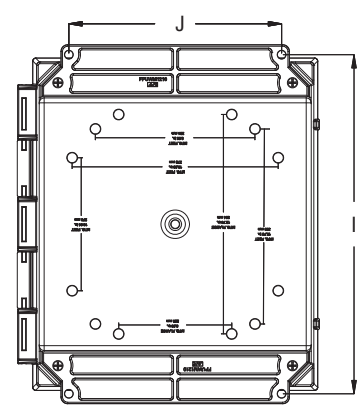
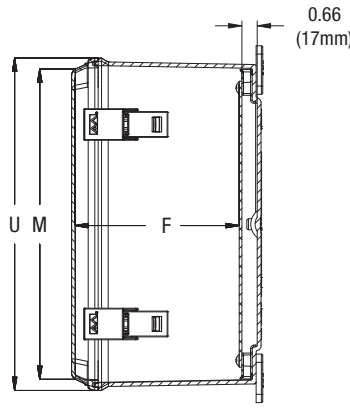
- Injection molded polycarbonate thermoplastic construction with flush, solid/opaque cover
- Opaque cover, base, snap latches, feet, flanges — Light gray color (RAL 7035)
Note: foot models mounting hardware supplied in a bag. Flanged models are pre-assembled
- Polycarbonate snap latches feature padlock hasp (.281" dia.)—(AMP1082 not available)
- Formed-In-Place (FIP) polyurethane gasket system encased in continuous channel
- 316 stainless steel foot/flange mounting hardware
- 316 stainless steel hinge pin (6"-14" sizes)
- Polycarbonate hinge clips (16" & 18" sizes)
- #10-32 threaded brass inserts are installed for back panel mounting

Accessories & Modifications

- Optional back panels and hinged front panels
- Custom holes and cutouts
- Optional foot/flange mounting hardware
- DIN rail mounting available with molded-in bosses using #10 sheet metal screws
- Factory-supplied silk screening

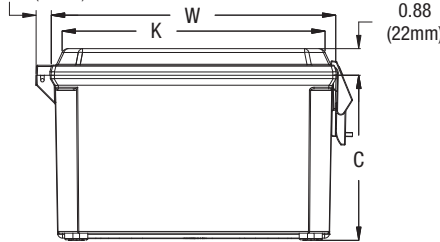


NOTE: COVER REMOVED FOR CLARITY



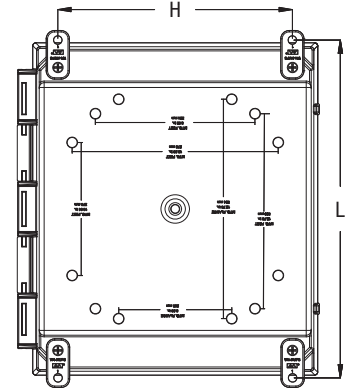
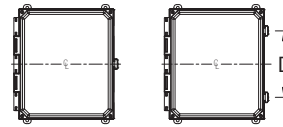
FLANGE MOUNT

6 x 6 x 4 - 14 x 12 x 6 0.56 (14mm)
16 x 14 x 8 .36 (9mm)
18 x 16 x 10 .46 (12mm)



LATCH LOCATIONS

| | |
|--------------|------------------------------|
| FOR USE ON | FOR USE ON |
| 6 x 6 x 4 | 12 x 10 x 4,6 D=7.50 (191mm) |
| 8 x 6 x 4 | 14 x 12 x 6 D=8.00 (203mm) |
| 8 x 8 x 4 | 16 x 14 x 8 D=10.5 (267mm) |
| 10 x 8 x 4,6 | 18 x 16 x 10 D=12.5 (318mm) |



FOOT MOUNT

*Nom. Wall Thickness: .14 (4mm)
14" thru 18" sizes: .19 (5mm)

| Part No. | Box Size | | | Usable Depth | Panel Boss Centers | | | Back Panel Size | | | Flange Mount Centers | | Foot Mount Centers | | Cover Size | | | |
|-------------------------|----------------|----------------|----------------|----------------|--------------------|----------------|----------------|-----------------|-----------------|----------------|----------------------------|----------------|--------------------|----------------|----------------|----------------|----------------|---|
| | A | B | C | | F | S | Z | Ht. | Wid. | P/N | J | I | H | L | K | M | W | U |
| AMP664NL AMP664NLF | 6.03 153mm | 6.26 159mm | 4.08 104mm | 4.06 103mm | 4.25 108mm | 4.25 108mm | 4.81 122mm | 4.81 122mm | PL66 PLA66 | 4.00 102mm | 6.88, 6.75 175, 171mm | 4.91 125mm | 6.75 171mm | 5.67 144mm | 5.45 139mm | 6.72 171mm | 6.50 165mm | |
| AMP864NL AMP864NLF | 7.94 202mm | 6.16 156mm | 4.08 104mm | 4.06 103mm | 6.25 159mm | 4.25 108mm | 6.75 171mm | 4.88 124mm | PL86 PLA86 | 4.00 102mm | 8.88, 8.75 226, 222mm | 4.91 125mm | 8.75 222mm | 5.67 144mm | 7.45 189mm | 6.72 171mm | 8.50 216mm | |
| AMP884NL AMP884NLF | 7.94 202mm | 8.16 207mm | 4.08 104mm | 4.06 103mm | 6.25 159mm | 6.25 159mm | 6.75 171mm | 6.88 175mm | PL88 PLA88 | 6.00 152mm | 8.75 222mm | 6.91 175mm | 8.75 222mm | 7.67 195mm | 7.45 189mm | 8.72 221mm | 8.50 216mm | |
| AMP1084NL AMP1084NLF | 9.93 252mm | 8.15 207mm | 4.08 104mm | 4.06 103mm | 8.25 210mm | 6.25 159mm | 8.75 222mm | 6.88 175mm | PL108 PLA108 | 6.00 152mm | 10.75 273mm | 6.91 175mm | 10.75 273mm | 7.75 197mm | 9.67 246mm | 8.72 221mm | 10.50 267mm | |
| AMP1086NL AMP1086NLF | 9.90 255mm | 8.12 206mm | 5.94 151mm | 6.06 154mm | 8.25 210mm | 6.25 159mm | 8.75 222mm | 6.88 175mm | PL108 PLA108 | 6.00 152mm | 10.75 273mm | 6.91 175mm | 10.75 273mm | 7.75 197mm | 9.67 246mm | 8.72 221mm | 10.50 267mm | |
| AMP1204NL AMP1204NLF | 11.93 303mm | 10.15 258mm | 4.08 104mm | 4.16 106mm | 10.25 260mm | 8.25 210mm | 10.75 273mm | 8.88 225mm | PL120 PLA120 | 8.00 203mm | 12.75 324mm | 8.82 224mm | 12.70 323mm | 9.75 248mm | 11.53 293mm | 10.72 272mm | 12.50 318mm | |
| AMP1206NL AMP1206NLF | 11.93 303mm | 10.15 258mm | 6.08 154mm | 6.06 154mm | 10.25 260mm | 8.25 210mm | 10.75 273mm | 8.88 225mm | PL120 PLA120 | 8.00 203mm | 12.75 324mm | 8.82 224mm | 12.70 323mm | 9.75 248mm | 11.53 293mm | 10.72 272mm | 12.50 318mm | |
| AMP1426NL AMP1426NLF | 13.85 352mm | 12.07 307mm | 6.13 156mm | 5.99 152mm | 12.25 311mm | 10.25 260mm | 12.75 324mm | 10.88 276mm | PL142 PLA142 | 10.01 254mm | 14.75, 14.62 375, 371mm | 10.82 275mm | 14.70 373mm | 11.75 298mm | 13.53 344mm | 12.72 323mm | 14.50 368mm | |
| AMP1648NL AMP1648NLF | 15.98 406mm | 13.98 355mm | 8.00 203mm | 8.27 210mm | 14.25 362mm | 12.25 311mm | 14.75 375mm | 12.88 327mm | P164 PA164 | 12.00 305mm | 17.75 451mm | 11.47 291mm | 17.91 455mm | 13.56 344mm | 15.74 400mm | 15.04 382mm | 17.23 438mm | |
| AMP1860NL AMP1860NLF | 18.04 458mm | 16.04 407mm | 10.00 254mm | 10.27 261mm | 16.22 412mm | 14.25 362mm | 16.88 429mm | 14.88 378mm | P186 PA186 | 12.00 305mm | 19.63, 19.51 499, 496mm | 13.72 349mm | 19.91 506mm | 15.56 395mm | 17.74 451mm | 17.10 434mm | 19.28 490mm | |

All dimensions are in inches unless otherwise noted

"I" dimensions with multiple numbers indicate slotted holes

Enclosure base part numbers come standard with 4 separately bagged feet (ex. AMP664NL)

Part numbers with "F" signify factory installed flanges (ex. AMP664NLF)

Back panel specifications found on page 130

Data subject to change without notice



AMP Series

JIC SIZE JUNCTION BOXES

Cover Type

Clear Polycarbonate

Closure Type

Nonmetal Snap Latch
Hinged Cover



Application

Designed to insulate and protect controls and components in both indoor and outdoor applications often found in industrial control panels, pump controls/waste water treatment, irrigation/water control, solar/wind, and chemical plants

- Light weight, impact resistant and good corrosion resistance for many industrial enclosure applications and a great alternative to metallic enclosures
- Protects from dirt, dust, and water
- Clear polycarbonate instrumentation cover, used in applications where critical electronic equipment must be visible and protected from the elements

Standards

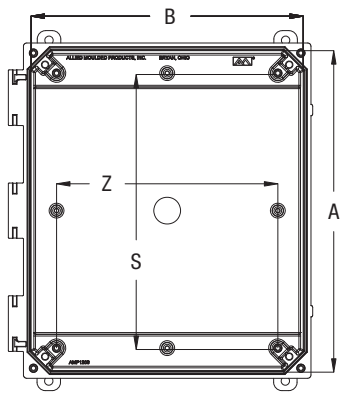
- UL 50 and UL 50E Types 1, 2, 3, 3R, 4, 4X, 12 and 13
- CSA C22.2 No. 94 Types 1, 2, 3, 3R, 4, 4X, 12 and 13
- Complies with:
 - NEMA Types 1, 2, 3, 3R, 4, 4X, 12 and 13
 - IEC 60529 Type IP66
 - RoHS directive

Construction

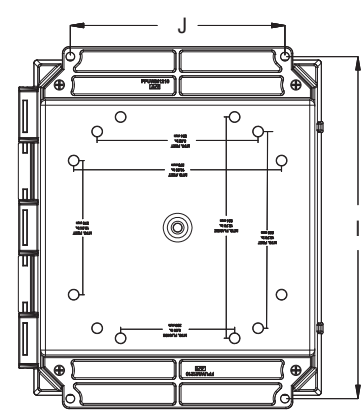
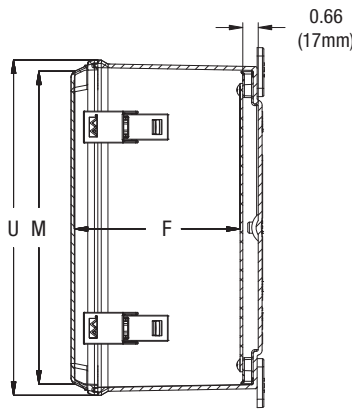
- Injection molded polycarbonate thermoplastic construction with flush, clear polycarbonate cover
- Enclosure base, feet, flanges — Light gray color (RAL 7035)
Note: foot models mounting hardware supplied in a bag. Flanged models are pre-assembled
- Polycarbonate snap latches feature padlock hasp (.281" dia.)—(AMP1082 not available)
- Formed-In-Place (FIP) polyurethane gasket system encased in continuous channel
- 316 stainless steel foot/flange mounting hardware
- 316 stainless steel hinge pin (6"-14" sizes)
- Polycarbonate hinge clips (16" & 18" sizes)
- #10-32 threaded brass inserts are installed for back panel mounting

Accessories & Modifications

- Optional back panels and hinged front panels
- Custom holes and cutouts
- Optional foot/flange mounting hardware
- DIN rail mounting available with molded-in bosses using #10 sheet metal screws
- Factory-supplied silk screening

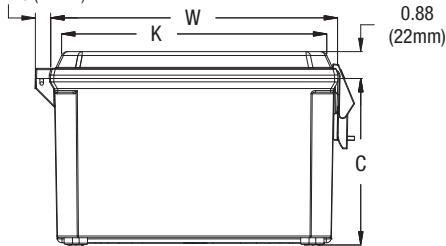


NOTE: COVER REMOVED FOR CLARITY



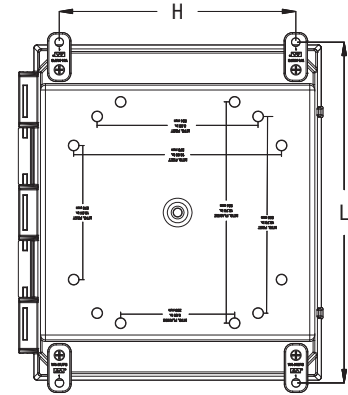
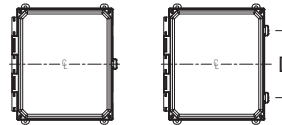
FLANGE MOUNT

6 x 6 x 4 - 14 x 12 x 6 0.56 (14mm)
 16 x 14 x 8 .36 (9mm)
 18 x 16 x 10 .46 (12mm)



LATCH LOCATIONS

| | |
|--------------|------------------------------|
| FOR USE ON | FOR USE ON |
| 6 x 6 x 4 | 12 x 10 x 4,6 D=7.50 (191mm) |
| 8 x 6 x 4 | 14 x 12 x 6 D=8.00 (203mm) |
| 8 x 8 x 4 | 16 x 14 x 8 D=10.5 (267mm) |
| 10 x 8 x 4,6 | 18 x 16 x 10 D=12.5 (318mm) |



FOOT MOUNT

*Nom. Wall Thickness: .14 (4mm)
 14" thru 18" sizes: .19 (5mm)

| Part No. | Box Size | | | Usable Depth | Panel Boss Centers | | | Back Panel Size | | | Flange Mount Centers | | Foot Mount Centers | | Cover Size | | | |
|--------------|----------|-------|-------|--------------|--------------------|-------|-------|-----------------|--------|-------|----------------------|-------|--------------------|-------|------------|-------|-------|---|
| | A | B | C | | F | S | Z | Ht. | Wid. | P/N | J | I | H | L | K | M | W | U |
| AMP664CCNL | 6.03 | 6.26 | 4.08 | 4.06 | 4.25 | 4.25 | 4.81 | 4.81 | PL66 | 4.00 | 6.88, 6.75 | 4.91 | 6.75 | 5.67 | 5.45 | 6.72 | 6.50 | |
| AMP664CCNLF | 153mm | 159mm | 104mm | 103mm | 108mm | 108mm | 122mm | 122mm | PLA66 | 102mm | 175, 171mm | 125mm | 171mm | 144mm | 139mm | 171mm | 165mm | |
| AMP864CCNL | 7.94 | 6.16 | 4.08 | 4.06 | 6.25 | 4.25 | 6.75 | 4.88 | PL86 | 4.00 | 8.88, 8.75 | 4.91 | 8.75 | 5.67 | 7.45 | 6.72 | 8.50 | |
| AMP864CCNLF | 202mm | 156mm | 104mm | 103mm | 159mm | 108mm | 171mm | 124mm | PLA86 | 102mm | 226, 222mm | 125mm | 222mm | 144mm | 189mm | 171mm | 216mm | |
| AMP884CCNL | 7.94 | 8.16 | 4.08 | 4.06 | 6.25 | 6.25 | 6.75 | 6.88 | PL88 | 6.00 | 8.75 | 6.91 | 8.75 | 7.67 | 7.45 | 8.72 | 8.50 | |
| AMP884CCNLF | 202mm | 207mm | 104mm | 103mm | 159mm | 159mm | 171mm | 175mm | PLA88 | 152mm | 222mm | 175mm | 222mm | 195mm | 189mm | 221mm | 216mm | |
| AMP1084CCNL | 9.93 | 8.15 | 4.08 | 4.06 | 8.25 | 6.25 | 8.75 | 6.88 | PL108 | 6.00 | 10.75 | 6.91 | 10.75 | 7.75 | 9.67 | 8.72 | 10.50 | |
| AMP1084CCNLF | 252mm | 207mm | 104mm | 103mm | 210mm | 159mm | 222mm | 175mm | PLA108 | 152mm | 273mm | 175mm | 273mm | 197mm | 246mm | 221mm | 267mm | |
| AMP1086CCNL | 9.90 | 8.12 | 5.94 | 6.06 | 8.25 | 6.25 | 8.75 | 6.88 | PL108 | 6.00 | 10.75 | 6.91 | 10.75 | 7.75 | 9.67 | 8.72 | 10.50 | |
| AMP1086CCNLF | 255mm | 206mm | 151mm | 154mm | 210mm | 159mm | 222mm | 175mm | PLA108 | 152mm | 273mm | 175mm | 273mm | 197mm | 246mm | 221mm | 267mm | |
| AMP1204CCNL | 11.93 | 10.15 | 4.08 | 4.16 | 10.25 | 8.25 | 10.75 | 8.88 | PL120 | 8.00 | 12.75 | 8.82 | 12.70 | 9.75 | 11.53 | 10.72 | 12.50 | |
| AMP1204CCNLF | 303mm | 258mm | 104mm | 106mm | 260mm | 210mm | 273mm | 225mm | PLA120 | 203mm | 324mm | 224mm | 323mm | 248mm | 293mm | 272mm | 318mm | |
| AMP1206CCNL | 11.93 | 10.15 | 6.08 | 6.06 | 10.25 | 8.25 | 10.75 | 8.88 | PL120 | 8.00 | 12.75 | 8.82 | 12.70 | 9.75 | 11.53 | 10.72 | 12.50 | |
| AMP1206CCNLF | 303mm | 258mm | 154mm | 154mm | 260mm | 210mm | 273mm | 225mm | PLA120 | 203mm | 324mm | 224mm | 323mm | 248mm | 293mm | 272mm | 318mm | |
| AMP1426CCNL | 13.85 | 12.07 | 6.13 | 5.99 | 12.25 | 10.25 | 12.75 | 10.88 | PL142 | 10.01 | 14.75, 14.62 | 10.82 | 14.70 | 11.75 | 13.53 | 12.72 | 14.50 | |
| AMP1426CCNLF | 352mm | 307mm | 156mm | 152mm | 311mm | 260mm | 324mm | 276mm | PLA142 | 254mm | 375, 371mm | 275mm | 373mm | 298mm | 344mm | 323mm | 368mm | |
| AMP1648CCNL | 15.98 | 13.98 | 8.00 | 8.27 | 14.25 | 12.25 | 14.75 | 12.88 | P164 | 12.00 | 17.75 | 11.47 | 17.91 | 13.56 | 15.74 | 15.04 | 17.23 | |
| AMP1648CCNLF | 406mm | 355mm | 203mm | 210mm | 362mm | 311mm | 375mm | 327mm | PA164 | 305mm | 451mm | 291mm | 455mm | 344mm | 400mm | 382mm | 438mm | |
| AMP1860CCNL | 18.04 | 16.04 | 10.00 | 10.27 | 16.22 | 14.25 | 16.88 | 14.88 | P186 | 12.00 | 19.63, 19.51 | 13.72 | 19.91 | 15.56 | 17.74 | 17.10 | 19.28 | |
| AMP1860CCNLF | 458mm | 407mm | 254mm | 261mm | 412mm | 362mm | 429mm | 378mm | PA186 | 305mm | 499, 496mm | 349mm | 506mm | 395mm | 451mm | 434mm | 490mm | |

All dimensions are in inches unless otherwise noted
 "I" dimensions with multiple numbers indicate slotted holes

Data subject to change without notice

Enclosure base part numbers come standard with 4 separately bagged feet (ex. AMP664CCNL)

Part numbers with "F" signify factory installed flanges (ex. AMP664CCNLF)

Back panel specifications found on page 130



AMP Series

JIC SIZE JUNCTION BOXES

Cover Type

Solid/Opaque

Closure Type

Snap Latch Hinged Cover



Application

Designed to insulate and protect controls and components in both indoor and outdoor applications often found in industrial control panels, pump controls/waste water treatment, irrigation/water control, solar/wind, and chemical plants

- Light weight, impact resistant and good corrosion resistance for many industrial enclosure applications and a great alternative to metallic enclosures
- Protects from dirt, dust, and water

Standards

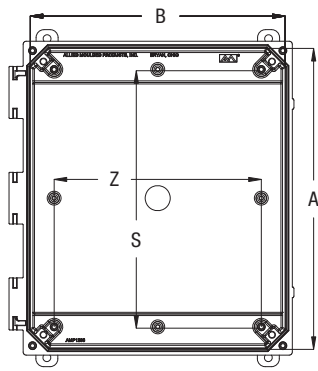
- UL 50 and UL 50E Types 1, 2, 3, 3R, 4, 4X, 12 and 13
- CSA C22.2 No. 94 Types 1, 2, 3, 3R, 4, 4X, 12 and 13
- Complies with:
 - NEMA Types 1, 2, 3, 3R, 4, 4X, 12 and 13
 - IEC 60529 Type IP66
 - RoHS directive

Construction

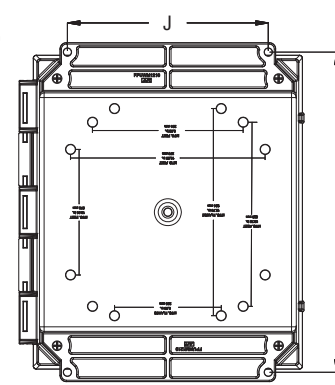
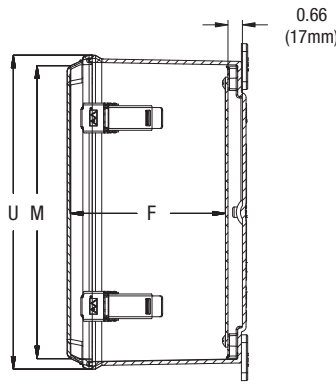
- Injection molded polycarbonate thermoplastic construction with flush, solid/opaque cover
- Opaque cover, base, feet, flanges — Light gray color (RAL 7035)
Note: foot models mounting hardware supplied in a bag. Flanged models are pre-assembled
- 316 stainless steel snap latches feature padlock hasp (.375" dia.)—(AMP1082 .354" dia.)
- Formed-In-Place (FIP) polyurethane gasket system encased in continuous channel
- 316 stainless steel foot/flange mounting hardware
- 316 stainless steel hinge pin (6"-14" sizes)
- Polycarbonate hinge clips (16" & 18" sizes)
- #10-32 threaded brass inserts are installed for back panel mounting

Accessories & Modifications

- Optional back panels and hinged front panels
- Custom holes and cutouts
- Optional foot/flange mounting hardware
- DIN rail mounting available with molded-in bosses using #10 sheet metal screws
- Factory-supplied silk screening

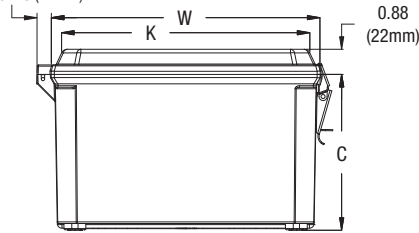


NOTE: COVER REMOVED FOR CLARITY



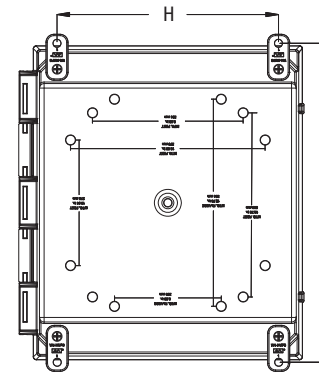
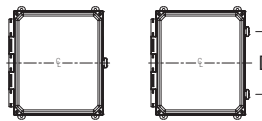
FLANGE MOUNT

- 6 x 6 x 4 - 14 x 12 x 6 0.56 (14mm)
- 16 x 14 x 8 .36 (9mm)
- 18 x 16 x 10 .46 (12mm)



LATCH LOCATIONS

- | | |
|----------------|------------------------------|
| FOR USE ON | FOR USE ON |
| 6 x 6 x 4 | 12 x 10 x 4.6 D=7.50 (191mm) |
| 8 x 6 x 4 | 14 x 12 x 6 D=8.00 (203mm) |
| 8 x 8 x 4 | 16 x 14 x 8 D=10.5 (267mm) |
| 10 x 8 x 2,4,6 | 18 x 16 x 10 D=12.5 (318mm) |



FOOT MOUNT

*Nom. Wall Thickness: .14 (4mm)
14" thru 18" sizes: .19 (5mm)

| Part No. | Box Size | | | Usable Depth | Panel Boss Centers | | | Back Panel Size | | | Flange Mount Centers | | Foot Mount Centers | | Cover Size | | | |
|-----------|----------|-------|-------|--------------|--------------------|-------|-------|-----------------|--------|-------|----------------------|-------|--------------------|-------|------------|-------|-------|---|
| | A | B | C | | F | S | Z | Ht. | Wid. | P/N | J | I | H | L | K | M | W | U |
| AMP664L | 6.03 | 6.26 | 4.08 | 4.06 | 4.25 | 4.25 | 4.81 | 4.81 | PL66 | 4.00 | 6.88, 6.75 | 4.91 | 6.75 | 5.67 | 5.45 | 6.72 | 6.50 | |
| AMP664LF | 153mm | 159mm | 104mm | 103mm | 108mm | 108mm | 122mm | 122mm | PLA66 | 102mm | 175, 171mm | 125mm | 171mm | 144mm | 139mm | 171mm | 165mm | |
| AMP864L | 7.94 | 6.16 | 4.08 | 4.06 | 6.25 | 4.25 | 6.75 | 4.88 | PL86 | 4.00 | 8.88, 8.75 | 4.91 | 8.75 | 5.67 | 7.45 | 6.72 | 8.50 | |
| AMP864LF | 202mm | 156mm | 104mm | 103mm | 159mm | 108mm | 171mm | 124mm | PLA86 | 102mm | 226, 222mm | 125mm | 222mm | 144mm | 189mm | 171mm | 216mm | |
| AMP884L | 7.94 | 8.16 | 4.08 | 4.06 | 6.25 | 6.25 | 6.75 | 6.88 | PL88 | 6.00 | 8.75 | 6.91 | 8.75 | 7.67 | 7.45 | 8.72 | 8.50 | |
| AMP884LF | 202mm | 207mm | 104mm | 103mm | 159mm | 159mm | 171mm | 175mm | PLA88 | 152mm | 222mm | 175mm | 222mm | 195mm | 189mm | 221mm | 216mm | |
| AMP1082L | 9.93 | 8.15 | 2.70 | 2.68 | 8.25 | 6.25 | 8.75 | 6.88 | PL108 | 6.00 | 10.75 | 6.91 | 10.75 | 7.75 | 9.67 | 8.72 | 10.50 | |
| AMP1082LF | 252mm | 207mm | 69mm | 68mm | 210mm | 159mm | 222mm | 175mm | PLA108 | 152mm | 273mm | 175mm | 273mm | 197mm | 246mm | 221mm | 267mm | |
| AMP1084L | 9.93 | 8.15 | 4.08 | 4.06 | 8.25 | 6.25 | 8.75 | 6.88 | PL108 | 6.00 | 10.75 | 6.91 | 10.75 | 7.75 | 9.67 | 8.72 | 10.50 | |
| AMP1084LF | 252mm | 207mm | 104mm | 103mm | 210mm | 159mm | 222mm | 175mm | PLA108 | 152mm | 273mm | 175mm | 273mm | 197mm | 246mm | 221mm | 267mm | |
| AMP1086L | 9.90 | 8.12 | 5.94 | 6.06 | 8.25 | 6.25 | 8.75 | 6.88 | PL108 | 6.00 | 10.75 | 6.91 | 10.75 | 7.75 | 9.67 | 8.72 | 10.50 | |
| AMP1086LF | 255mm | 206mm | 151mm | 154mm | 210mm | 159mm | 222mm | 175mm | PLA108 | 152mm | 273mm | 175mm | 273mm | 197mm | 246mm | 221mm | 267mm | |
| AMP1204L | 11.93 | 10.15 | 4.08 | 4.16 | 10.25 | 8.25 | 10.75 | 8.88 | PL120 | 8.00 | 12.75 | 8.82 | 12.70 | 9.75 | 11.53 | 10.72 | 12.50 | |
| AMP1204LF | 303mm | 258mm | 104mm | 106mm | 260mm | 210mm | 273mm | 225mm | PLA120 | 203mm | 324mm | 224mm | 323mm | 248mm | 293mm | 272mm | 318mm | |
| AMP1206L | 11.93 | 10.15 | 6.08 | 6.06 | 10.25 | 8.25 | 10.75 | 8.88 | PL120 | 8.00 | 12.75 | 8.82 | 12.70 | 9.75 | 11.53 | 10.72 | 12.50 | |
| AMP1206LF | 303mm | 258mm | 154mm | 154mm | 260mm | 210mm | 273mm | 225mm | PLA120 | 203mm | 324mm | 224mm | 323mm | 248mm | 293mm | 272mm | 318mm | |
| AMP1426L | 13.85 | 12.07 | 6.13 | 5.99 | 12.25 | 10.25 | 12.75 | 10.88 | PL142 | 10.01 | 14.75, 14.62 | 10.82 | 14.70 | 11.75 | 13.53 | 12.72 | 14.50 | |
| AMP1426LF | 352mm | 307mm | 156mm | 152mm | 311mm | 260mm | 324mm | 276mm | PLA142 | 254mm | 375, 371mm | 275mm | 373mm | 298mm | 344mm | 323mm | 368mm | |
| AMP1648L | 15.98 | 13.98 | 8.00 | 8.27 | 14.25 | 12.25 | 14.75 | 12.88 | P164 | 12.00 | 17.75 | 11.47 | 17.91 | 13.56 | 15.74 | 15.04 | 17.23 | |
| AMP1648LF | 406mm | 355mm | 203mm | 210mm | 362mm | 311mm | 375mm | 327mm | PA164 | 305mm | 451mm | 291mm | 455mm | 344mm | 400mm | 382mm | 438mm | |
| AMP1860L | 18.04 | 16.04 | 10.00 | 10.27 | 16.22 | 14.25 | 16.88 | 14.88 | P186 | 12.00 | 19.63, 19.51 | 13.72 | 19.91 | 15.56 | 17.74 | 17.10 | 19.28 | |
| AMP1860LF | 458mm | 407mm | 254mm | 261mm | 412mm | 362mm | 429mm | 378mm | PA186 | 305mm | 499, 496mm | 349mm | 506mm | 395mm | 451mm | 434mm | 490mm | |

All dimensions are in inches unless otherwise noted
"I" dimensions with multiple numbers indicate slotted holes

Enclosure base part numbers come standard with 4 separately bagged feet (ex. AMP664L)

Part numbers with "F" signify factory installed flanges (ex. AMP664LF)

Back panel specifications found on page 130

Data subject to change without notice



AMP Series

JIC SIZE JUNCTION BOXES

Cover Type

Clear Polycarbonate

Closure Type

Snap Latch Hinged Cover



Application

Designed to insulate and protect controls and components in both indoor and outdoor applications often found in industrial control panels, pump controls/waste water treatment, irrigation/water control, solar/wind, and chemical plants

- Light weight, impact resistant and good corrosion resistance for many industrial enclosure applications and a great alternative to metallic enclosures
- Protects from dirt, dust, and water
- Clear polycarbonate instrumentation cover, used in applications where critical electronic equipment must be visible and protected from the elements

Standards

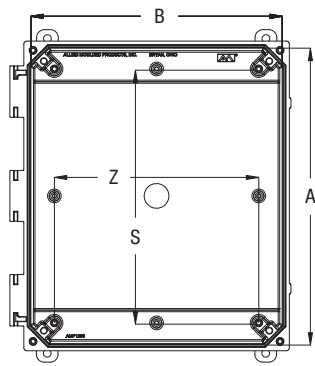
- UL 50 and UL 50E Types 1, 2, 3, 3R, 4, 4X, 12 and 13
- CSA C22.2 No. 94 Types 1, 2, 3, 3R, 4, 4X, 12 and 13
- Complies with:
 - NEMA Types 1, 2, 3, 3R, 4, 4X, 12 and 13
 - IEC 60529 Type IP66
 - RoHS directive

Construction

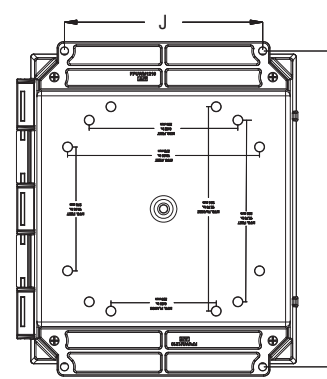
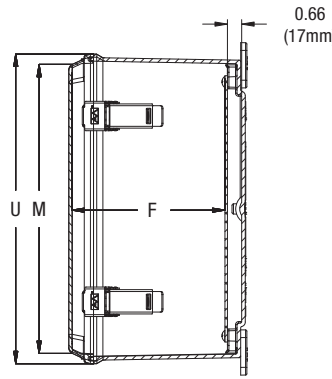
- Injection molded polycarbonate thermoplastic construction with flush, clear polycarbonate cover
- Enclosure base, feet, flanges — Light gray color (RAL 7035)
Note: foot models mounting hardware supplied in a bag. Flanged models are pre-assembled
- 316 stainless steel snap latches feature padlock hasp (.375" dia.)—(AMP1082 .354" dia.)
- Formed-In-Place (FIP) polyurethane gasket system encased in continuous channel
- 316 stainless steel foot/flange mounting hardware
- 316 stainless steel hinge pin (6"-14" sizes)
- Polycarbonate hinge clips (16" & 18" sizes)
- #10-32 threaded brass inserts are installed for back panel mounting

Accessories & Modifications

- Optional back panels and hinged front panels
- Custom holes and cutouts
- Optional foot/flange mounting hardware
- DIN rail mounting available with molded-in bosses using #10 sheet metal screws
- Factory-supplied silk screening

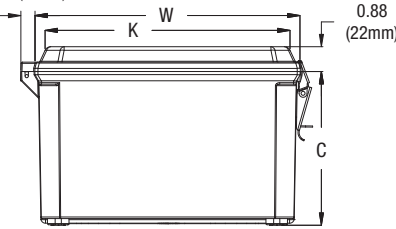


NOTE: COVER REMOVED FOR CLARITY



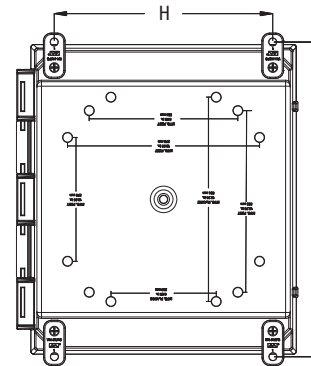
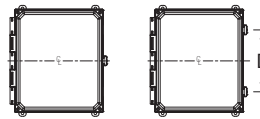
FLANGE MOUNT

- 6 x 6 x 4 - 14 x 12 x 6 0.56 (14mm)
- 16 x 14 x 8 .36 (9mm)
- 18 x 16 x 10 .46 (12mm)



LATCH LOCATIONS

- | | |
|----------------|------------------------------|
| FOR USE ON | FOR USE ON |
| 6 x 6 x 4 | 12 x 10 x 4.6 D=7.50 (191mm) |
| 8 x 6 x 4 | 14 x 12 x 6 D=8.00 (203mm) |
| 8 x 8 x 4 | 16 x 14 x 8 D=10.5 (267mm) |
| 10 x 8 x 2.4,6 | 18 x 16 x 10 D=12.5 (318mm) |



FOOT MOUNT

*Nom. Wall Thickness: .14 (4mm)
14" thru 18" sizes: .19 (5mm)

| Part No. | Box Size | | | Usable Depth | Panel Boss Centers | | | Back Panel Size | | | Flange Mount Centers | | Foot Mount Centers | | Cover Size | | | |
|-------------|----------|-------|-------|--------------|--------------------|-------|-------|-----------------|--------|-------|----------------------|-------|--------------------|-------|------------|-------|-------|---|
| | A | B | C | | F | S | Z | Ht. | Wid. | P/N | J | I | H | L | K | M | W | U |
| AMP664CCL | 6.03 | 6.26 | 4.08 | 4.06 | 4.25 | 4.25 | 4.81 | 4.81 | PL66 | 4.00 | 6.88, 6.75 | 4.91 | 6.75 | 5.67 | 5.45 | 6.72 | 6.50 | |
| AMP664CCLF | 153mm | 159mm | 104mm | 103mm | 108mm | 108mm | 122mm | 122mm | PLA66 | 102mm | 175, 171mm | 125mm | 171mm | 144mm | 139mm | 171mm | 165mm | |
| AMP864CCL | 7.94 | 6.16 | 4.08 | 4.06 | 6.25 | 4.25 | 6.75 | 4.88 | PL86 | 4.00 | 8.88, 8.75 | 4.91 | 8.75 | 5.67 | 7.45 | 6.72 | 8.50 | |
| AMP864CCLF | 202mm | 156mm | 104mm | 103mm | 159mm | 108mm | 171mm | 124mm | PLA86 | 102mm | 226, 222mm | 125mm | 222mm | 144mm | 189mm | 171mm | 216mm | |
| AMP884CCL | 7.94 | 8.16 | 4.08 | 4.06 | 6.25 | 6.25 | 6.75 | 6.88 | PL88 | 6.00 | 8.75 | 6.91 | 8.75 | 7.67 | 7.45 | 8.72 | 8.50 | |
| AMP884CCLF | 202mm | 207mm | 104mm | 103mm | 159mm | 159mm | 171mm | 175mm | PLA88 | 152mm | 222mm | 175mm | 222mm | 195mm | 189mm | 221mm | 216mm | |
| AMP1082CCL | 9.93 | 8.15 | 2.70 | 2.68 | 8.25 | 6.25 | 8.75 | 6.88 | PL108 | 6.00 | 10.75 | 6.91 | 10.75 | 7.75 | 9.67 | 8.72 | 10.50 | |
| AMP1082CCLF | 252mm | 207mm | 69mm | 68mm | 210mm | 159mm | 222mm | 175mm | PLA108 | 152mm | 273mm | 175mm | 273mm | 197mm | 246mm | 221mm | 267mm | |
| AMP1084CCL | 9.93 | 8.15 | 4.08 | 4.06 | 8.25 | 6.25 | 8.75 | 6.88 | PL108 | 6.00 | 10.75 | 6.91 | 10.75 | 7.75 | 9.67 | 8.72 | 10.50 | |
| AMP1084CCLF | 252mm | 207mm | 104mm | 103mm | 210mm | 159mm | 222mm | 175mm | PLA108 | 152mm | 273mm | 175mm | 273mm | 197mm | 246mm | 221mm | 267mm | |
| AMP1086CCL | 9.90 | 8.12 | 5.94 | 6.06 | 8.25 | 6.25 | 8.75 | 6.88 | PL108 | 6.00 | 10.75 | 6.91 | 10.75 | 7.75 | 9.67 | 8.72 | 10.50 | |
| AMP1086CCLF | 255mm | 206mm | 151mm | 154mm | 210mm | 159mm | 222mm | 175mm | PLA108 | 152mm | 273mm | 175mm | 273mm | 197mm | 246mm | 221mm | 267mm | |
| AMP1204CCL | 11.93 | 10.15 | 4.08 | 4.16 | 10.25 | 8.25 | 10.75 | 8.88 | PL120 | 8.00 | 12.75 | 8.82 | 12.70 | 9.75 | 11.53 | 10.72 | 12.50 | |
| AMP1204CCLF | 303mm | 258mm | 104mm | 106mm | 260mm | 210mm | 273mm | 225mm | PLA120 | 203mm | 324mm | 224mm | 323mm | 248mm | 293mm | 272mm | 318mm | |
| AMP1206CCL | 11.93 | 10.15 | 6.08 | 6.06 | 10.25 | 8.25 | 10.75 | 8.88 | PL120 | 8.00 | 12.75 | 8.82 | 12.70 | 9.75 | 11.53 | 10.72 | 12.50 | |
| AMP1206CCLF | 303mm | 258mm | 154mm | 154mm | 260mm | 210mm | 273mm | 225mm | PLA120 | 203mm | 324mm | 224mm | 323mm | 248mm | 293mm | 272mm | 318mm | |
| AMP1426CCL | 13.85 | 12.07 | 6.13 | 5.99 | 12.25 | 10.25 | 12.75 | 10.88 | PL142 | 10.01 | 14.75, 14.62 | 10.82 | 14.70 | 11.75 | 13.53 | 12.72 | 14.50 | |
| AMP1426CCLF | 352mm | 307mm | 156mm | 152mm | 311mm | 260mm | 324mm | 276mm | PLA142 | 254mm | 375, 371mm | 275mm | 373mm | 298mm | 344mm | 323mm | 368mm | |
| AMP1648CCL | 15.98 | 13.98 | 8.00 | 8.27 | 14.25 | 12.25 | 14.75 | 12.88 | P164 | 12.00 | 17.75 | 11.47 | 17.91 | 13.56 | 15.74 | 15.04 | 17.23 | |
| AMP1648CCLF | 406mm | 355mm | 203mm | 210mm | 362mm | 311mm | 375mm | 327mm | PA164 | 305mm | 451mm | 291mm | 455mm | 344mm | 400mm | 382mm | 438mm | |
| AMP1860CCL | 18.04 | 16.04 | 10.00 | 10.27 | 16.22 | 14.25 | 16.88 | 14.88 | P186 | 12.00 | 19.63, 19.51 | 13.72 | 19.91 | 15.56 | 17.74 | 17.10 | 19.28 | |
| AMP1860CCLF | 458mm | 407mm | 254mm | 261mm | 412mm | 362mm | 429mm | 378mm | PA186 | 305mm | 499, 496mm | 349mm | 506mm | 395mm | 451mm | 434mm | 490mm | |

All dimensions are in inches unless otherwise noted

"I" dimensions with multiple numbers indicate slotted holes

Enclosure base part numbers come standard with 4 separately bagged feet (ex. AMP664CCL)

Part numbers with "F" signify factory installed flanges (ex. AMP664CCLF)

Back panel specifications found on page 130

Data subject to change without notice

