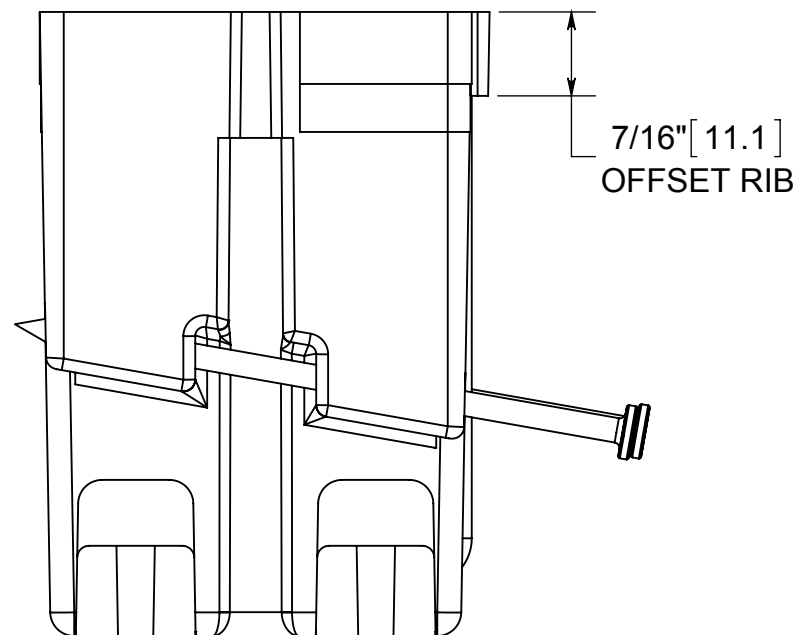
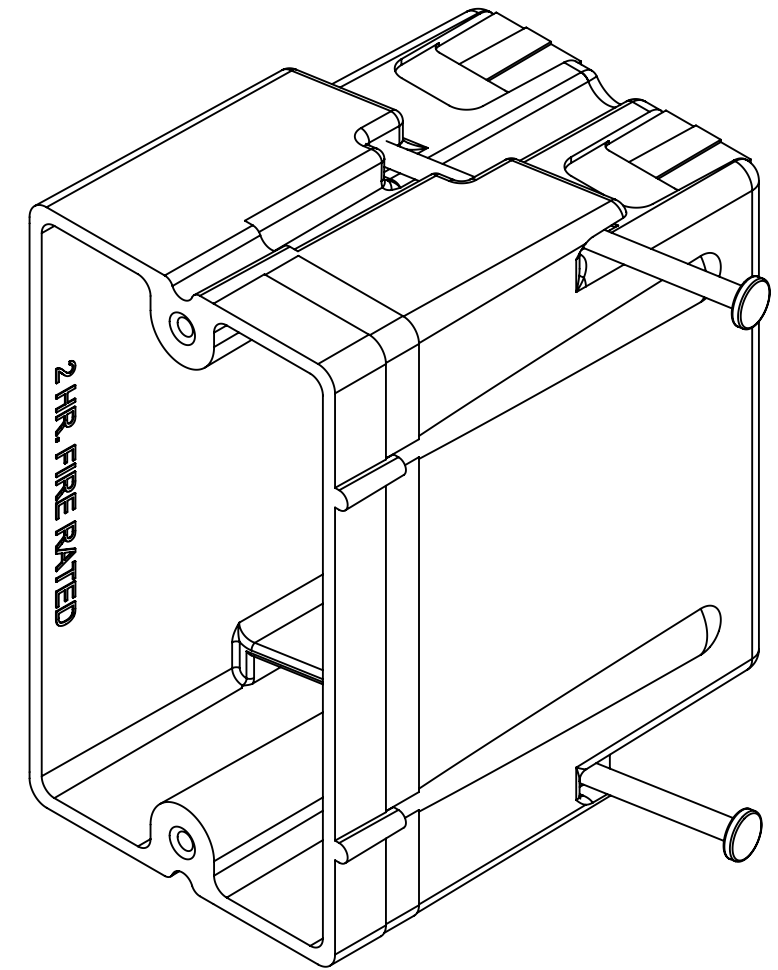
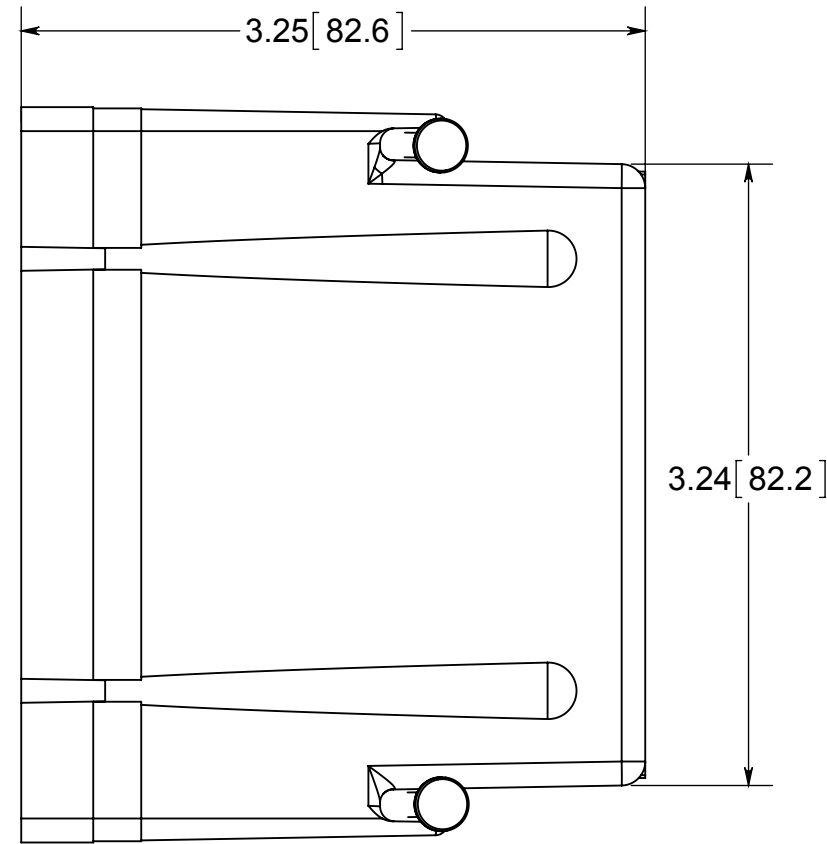
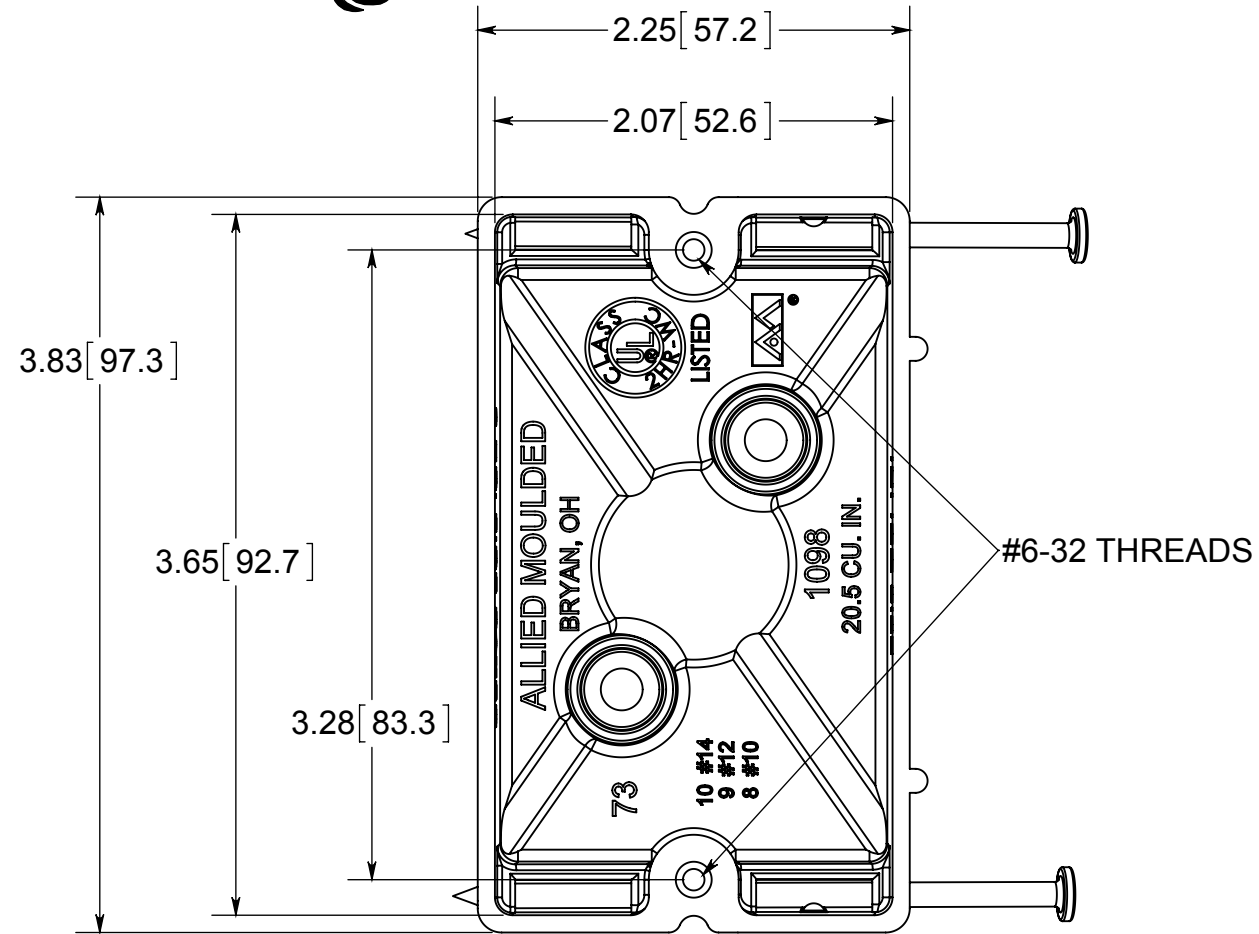


fiberglass BOX™

ISSUE DATE: 06/29/2015



- NOTES:
 1.) BOX MATERIAL: FIBERGLASS REINFORCED POLYESTER, NAIL MATERIAL: PLATED CARBON STEEL
 2.) UL LISTED WITH 2 HOUR FIRE RATING FOR WALL AND CEILING
 3.) REVERSE NAILED



® **ALLIED MOULDED PRODUCTS**
BRYAN, OHIO

The Original Fiber Glass Outlet Box

PRODUCT SERIES

SINGLE GANG 20.5 CU. IN.

Part No.

1098-NR

CONFIDENTIAL

THIS MATERIAL IS OWNED BY THE ALLIED MOULDED PRODUCTS COMPANY, IS DISCLOSED IN CONFIDENCE, AND IS NOT TO BE REPRODUCED OR DISTRIBUTED WITHOUT PRIOR WRITTEN PERMISSION FROM ALLIED MOULDED PRODUCTS.