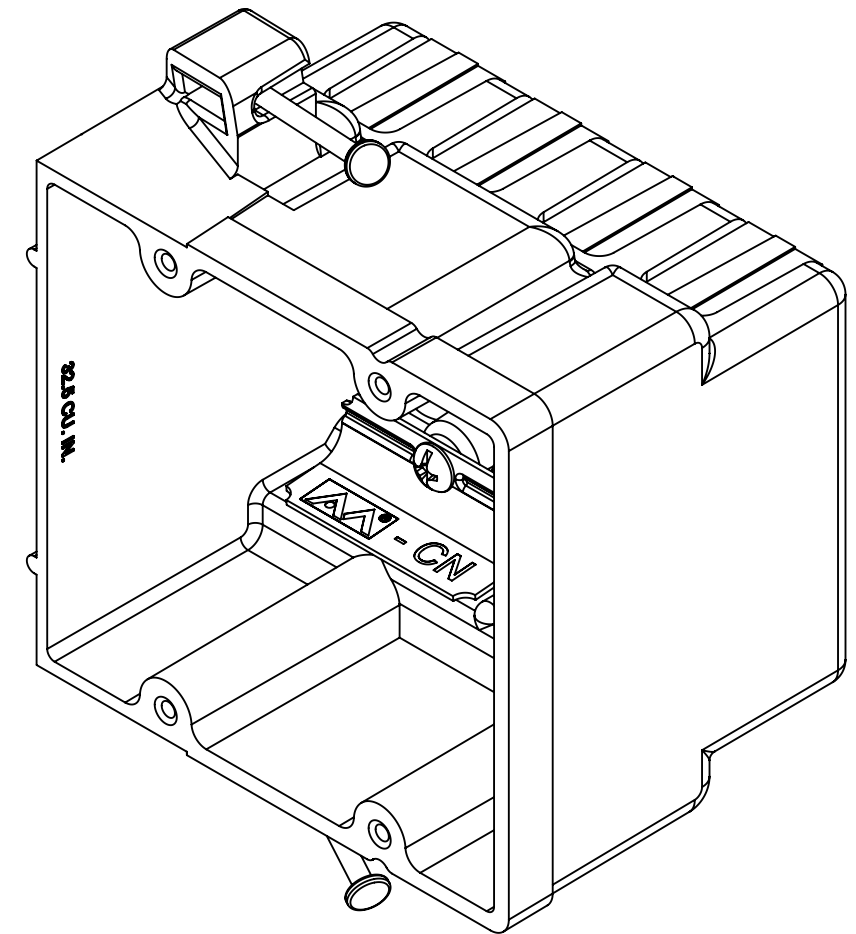
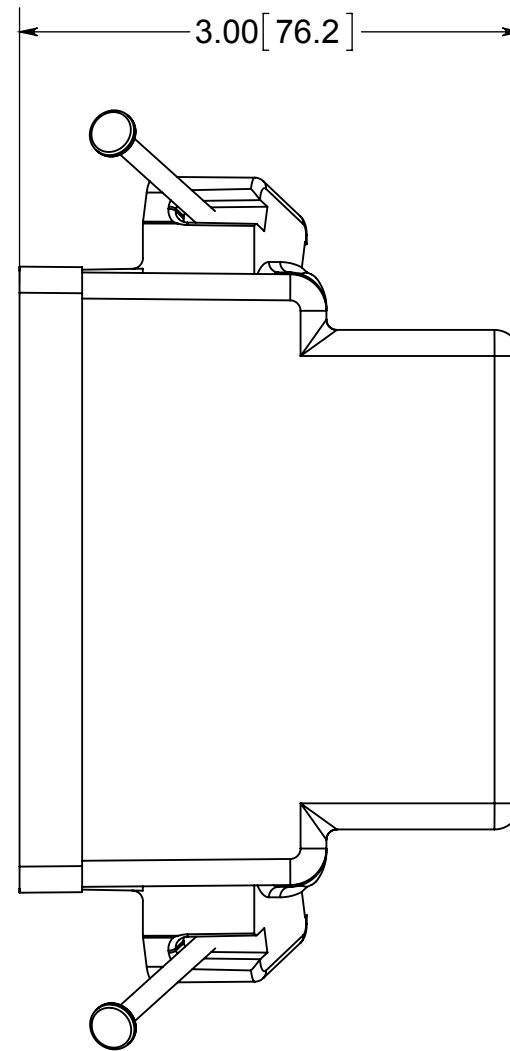
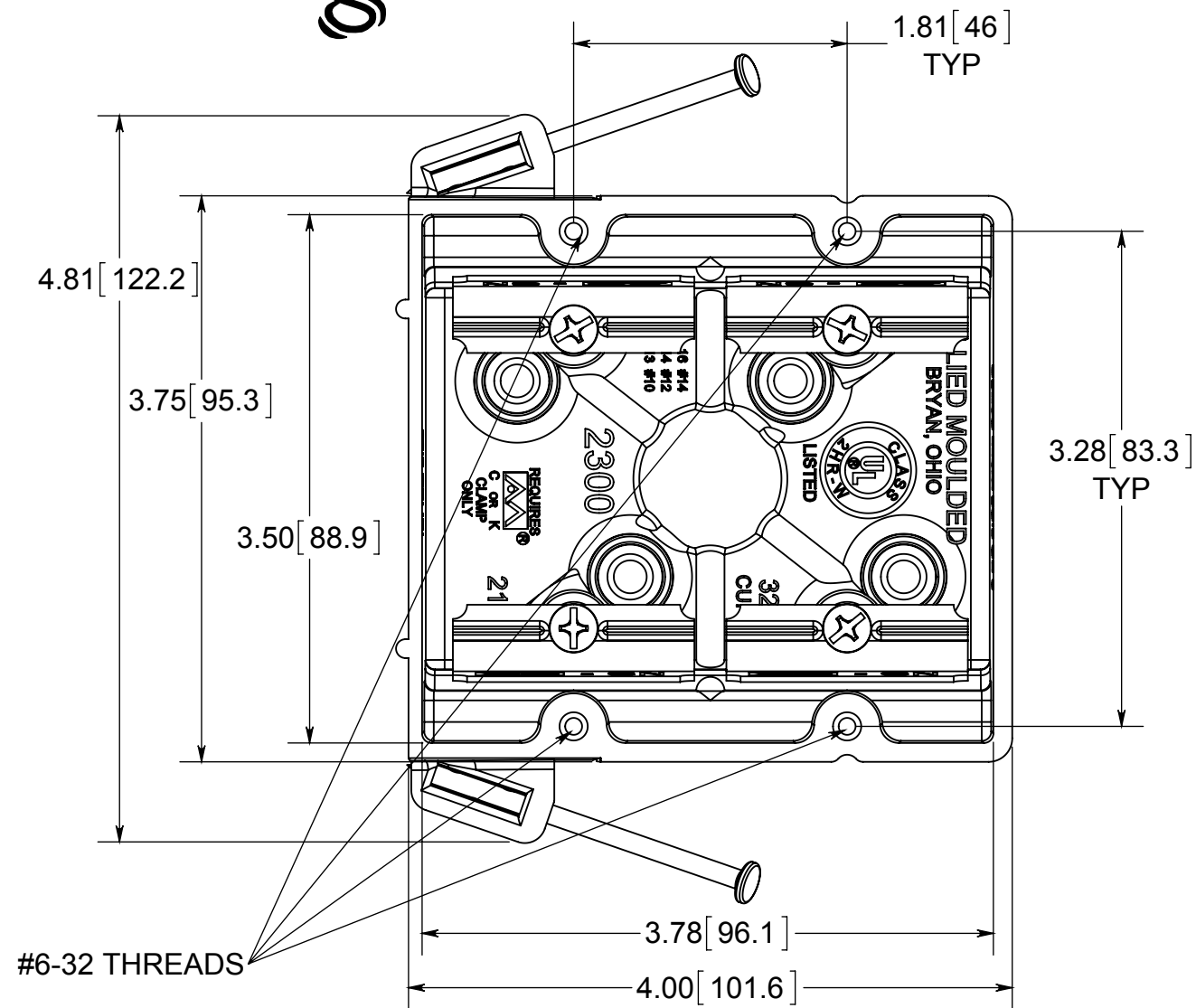
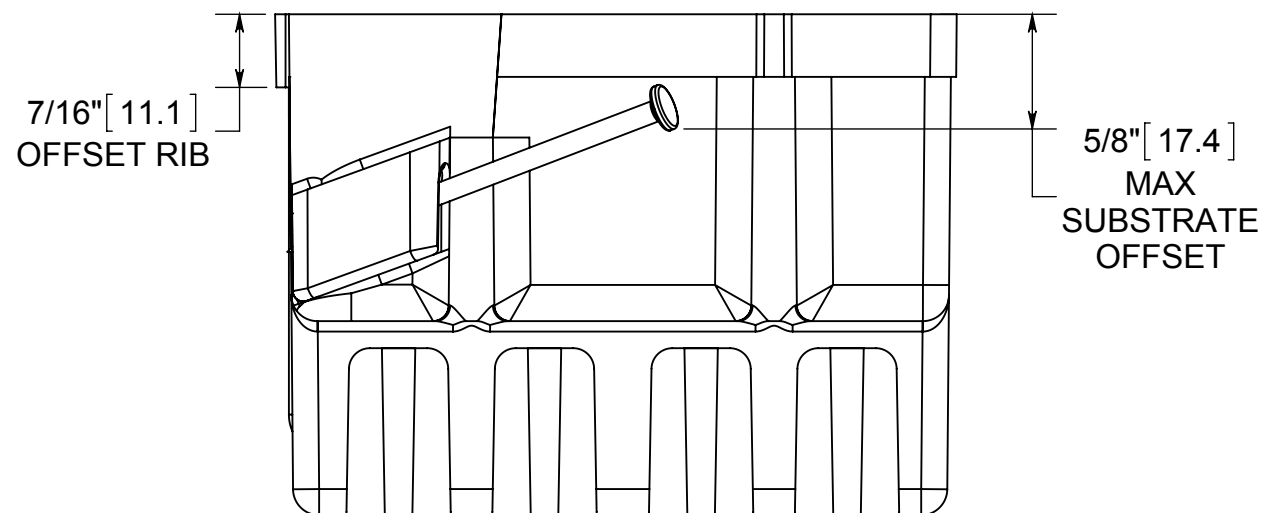


# fiberglass BOX™

ISSUE DATE: 06/15/2015



- NOTES:
- 1.) BOX MATERIAL: FIBERGLASS REINFORCED POLYESTER, NAIL MATERIAL: PLATED CARBON STEEL, WIRE CLAMP MATERIAL: GALVANIZED STEEL, WIRE CLAMP SCREW MATERIAL: ZINC PLATED STEEL
  - 2.) UL LISTED WITH 2 HOUR FIRE RATING FOR WALL
  - 3.) 4 WIRE CLAMPS FACTORY INSTALLED



 **ALLIED MOULDED PRODUCTS**  
BRYAN, OHIO  
The Original Fiber Glass Outlet Box

PRODUCT SERIES

TWO GANG 32.5 CU. IN.

Part No.

**2300-NC4**

**CONFIDENTIAL**

THIS MATERIAL IS OWNED BY THE ALLIED MOULDED PRODUCTS COMPANY, IS DISCLOSED IN CONFIDENCE, AND IS NOT TO BE REPRODUCED OR DISTRIBUTED WITHOUT PRIOR WRITTEN PERMISSION FROM ALLIED MOULDED PRODUCTS.