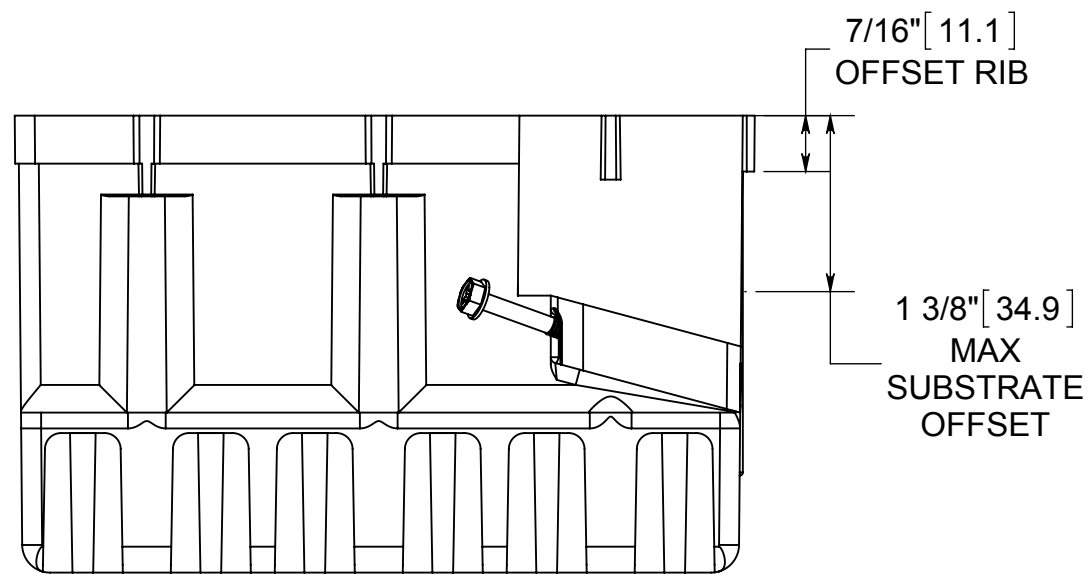
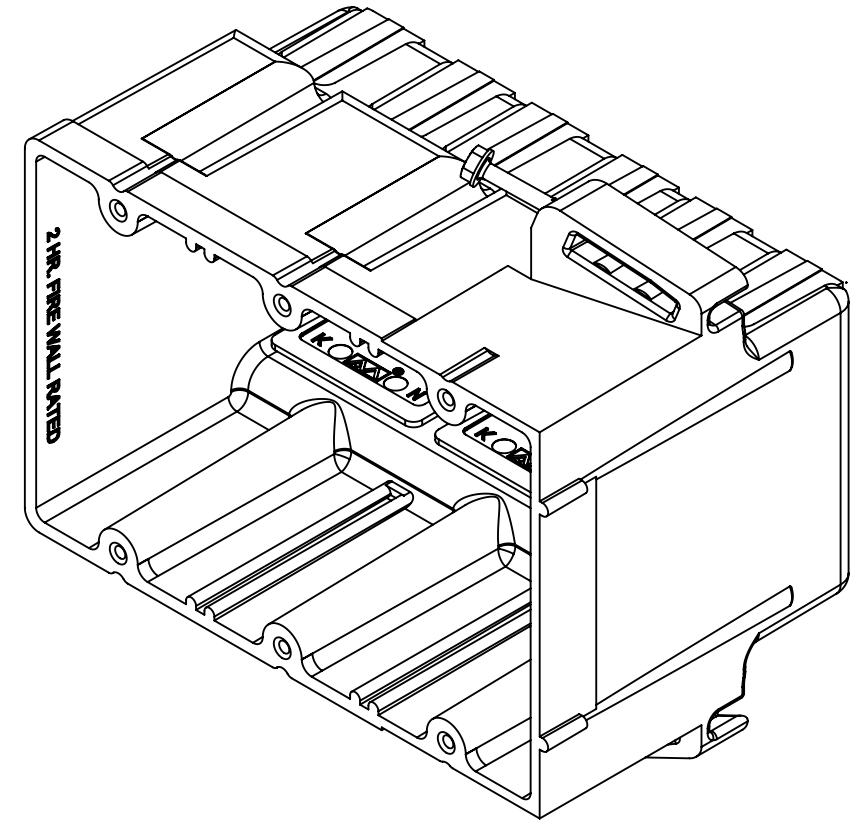
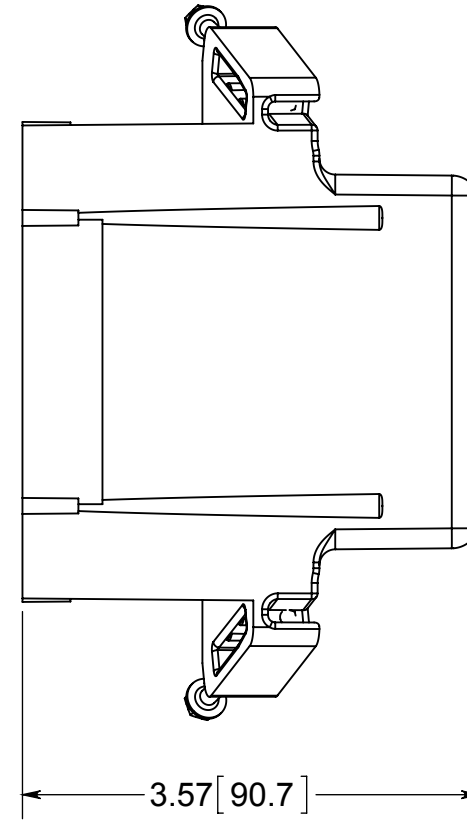
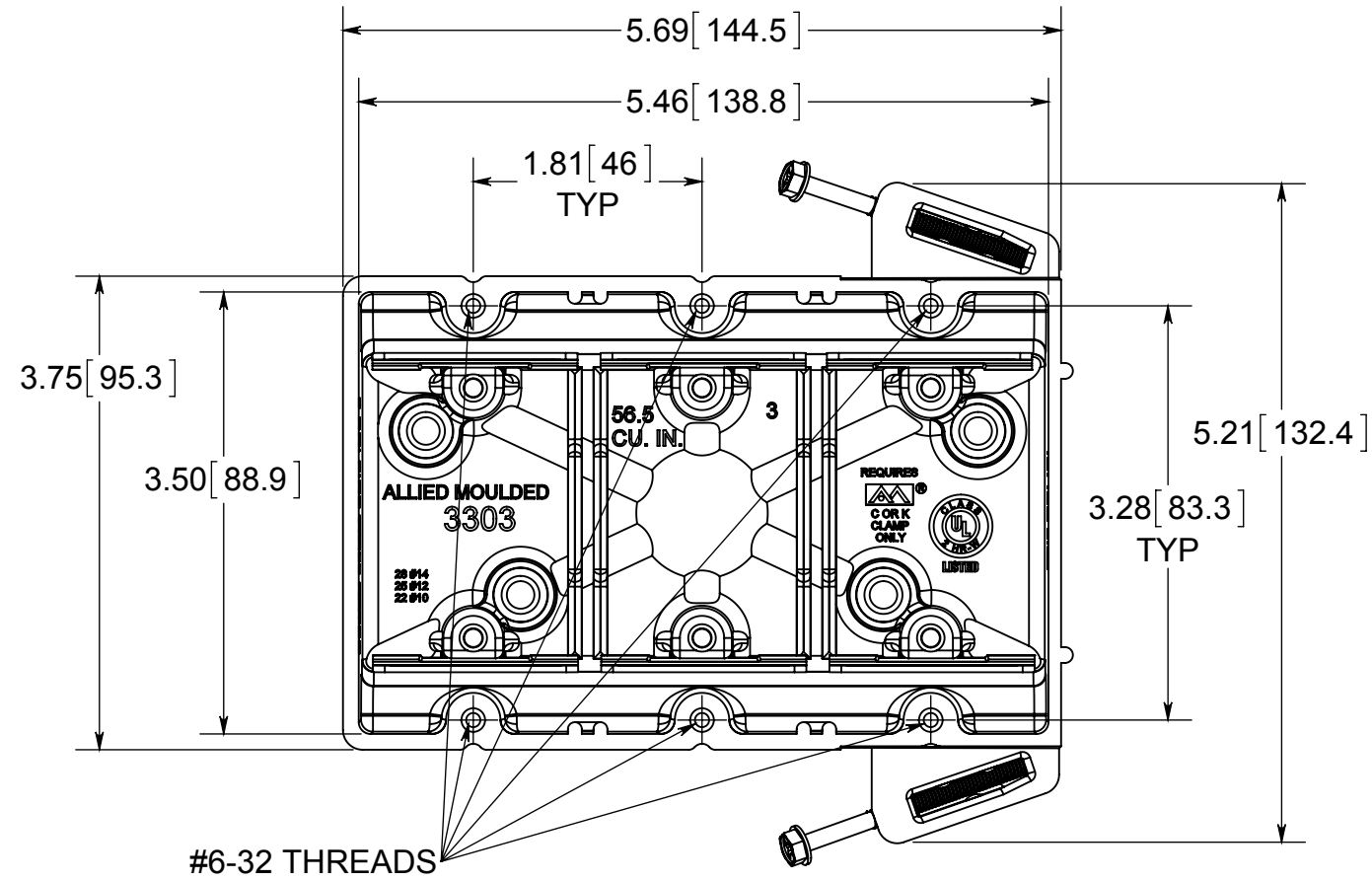


# fiberglass BOX™

ISSUE DATE: 05/12/2015



- NOTES:  
1.) BOX MATERIAL: FIBERGLASS REINFORCED POLYESTER, SCREW MATERIAL: PLATED CARBON STEEL, SPEED KLAMP MATERIAL: PVC  
2.) UL LISTED WITH 2 HOUR FIRE RATING FOR WALL  
3.) 6 SPEED KLAMPS FACTORY INSTALLED  
4.) ACCEPTS LVP-1 LOW VOLTAGE PARTITION



® ALLIED MOULDED PRODUCTS  
BRYAN, OHIO

The Original Fiber Glass Outlet Box

PRODUCT SERIES

THREE GANG 56.5 CU. IN.

Part No.

3303-SSK

**CONFIDENTIAL**

THIS MATERIAL IS OWNED BY THE ALLIED MOULDED PRODUCTS COMPANY, IS DISCLOSED IN CONFIDENCE, AND IS NOT TO BE REPRODUCED OR DISTRIBUTED WITHOUT PRIOR WRITTEN PERMISSION FROM ALLIED MOULDED PRODUCTS.