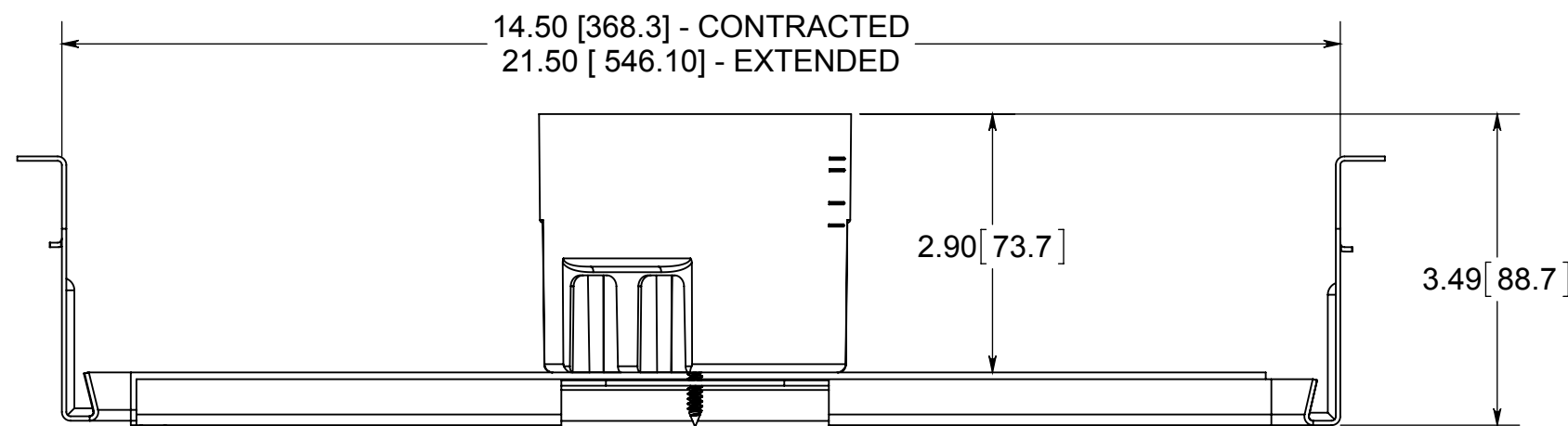
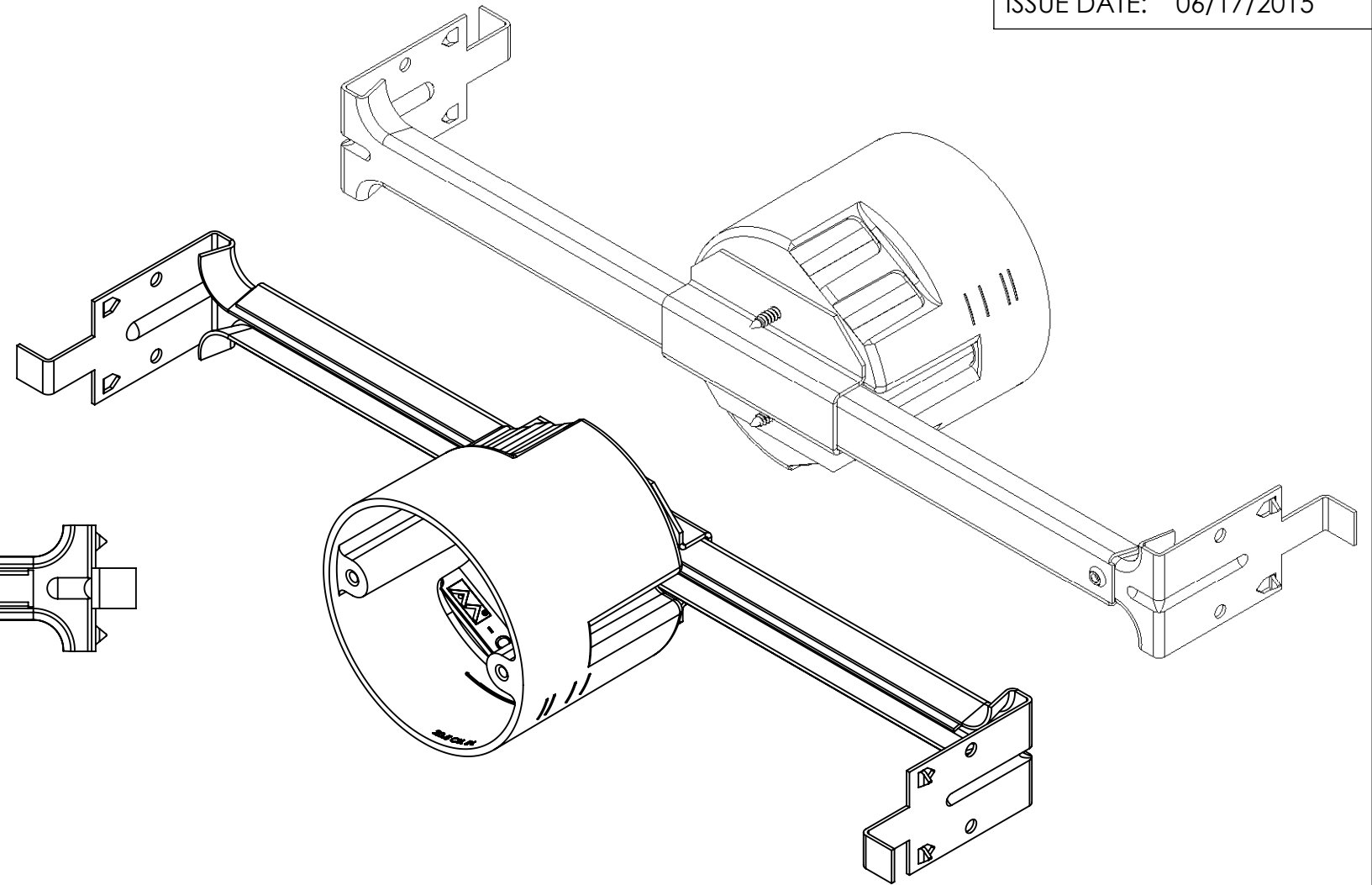
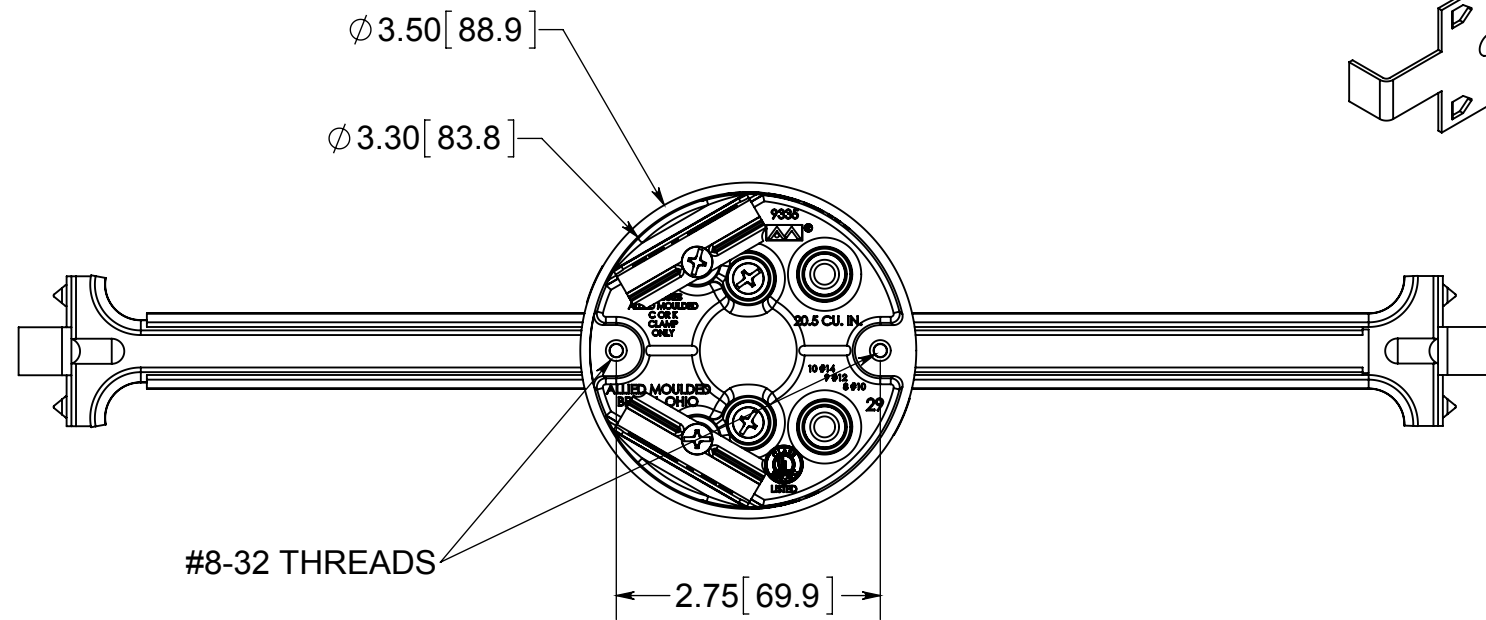


# fiberglass BOX™

ISSUE DATE: 06/17/2015



**NOTES:**

- 1.) BOX MATERIAL: FIBERGLASS REINFORCED POLYESTER, WIRE CLAMP MATERIAL: GALVANIZED STEEL, WIRE CLAMP SCREW MATERIAL: ZINC PLATED STEEL, BAR MATERIAL: GALVANIZED STEEL, MOUNTING BRACKET MATERIAL: GALVANIZED STEEL, MOUNTING BRACKET SCREW MATERIAL: ZINC PLATED STEEL
- 2.) UL LISTED WITH 2 HOUR FIRE RATING FOR WALL AND CEILING
- 3.) 16"-24" ADJUSTMENT BAR HANGER
- 4.) 2 WIRE CLAMPS FACTORY INSTALLED



**ALLIED MOULDED PRODUCTS**  
BRYAN, OHIO

The Original Fiber Glass Outlet Box

PRODUCT SERIES

3-1/2" ROUND 20.5 CU. IN.

Part No.

**9335-BHC2**

**CONFIDENTIAL**

THIS MATERIAL IS OWNED BY THE ALLIED MOULDED PRODUCTS COMPANY, IS DISCLOSED IN CONFIDENCE, AND IS NOT TO BE REPRODUCED OR DISTRIBUTED WITHOUT PRIOR WRITTEN PERMISSION FROM ALLIED MOULDED PRODUCTS.