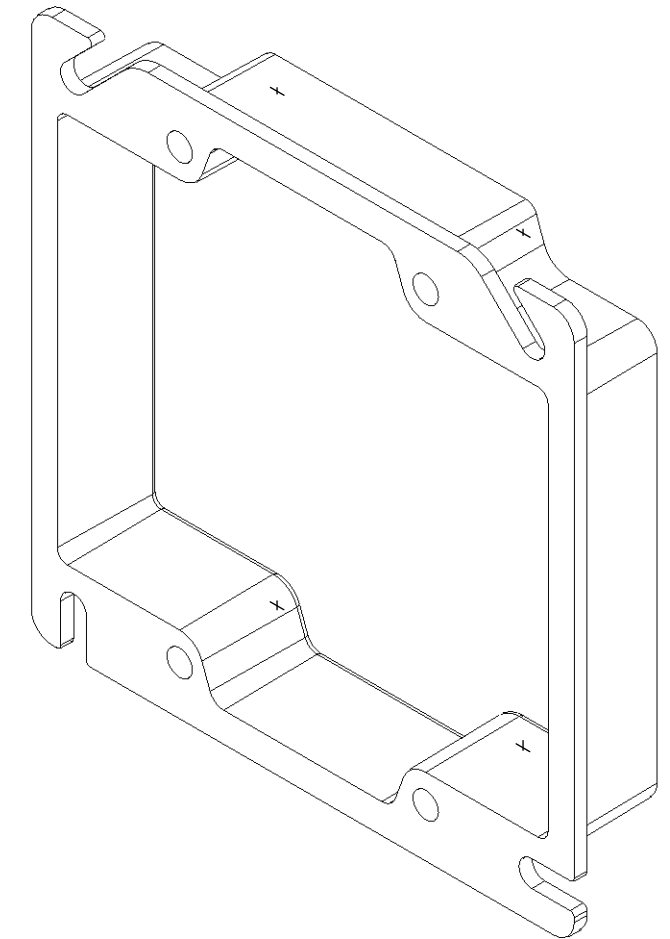
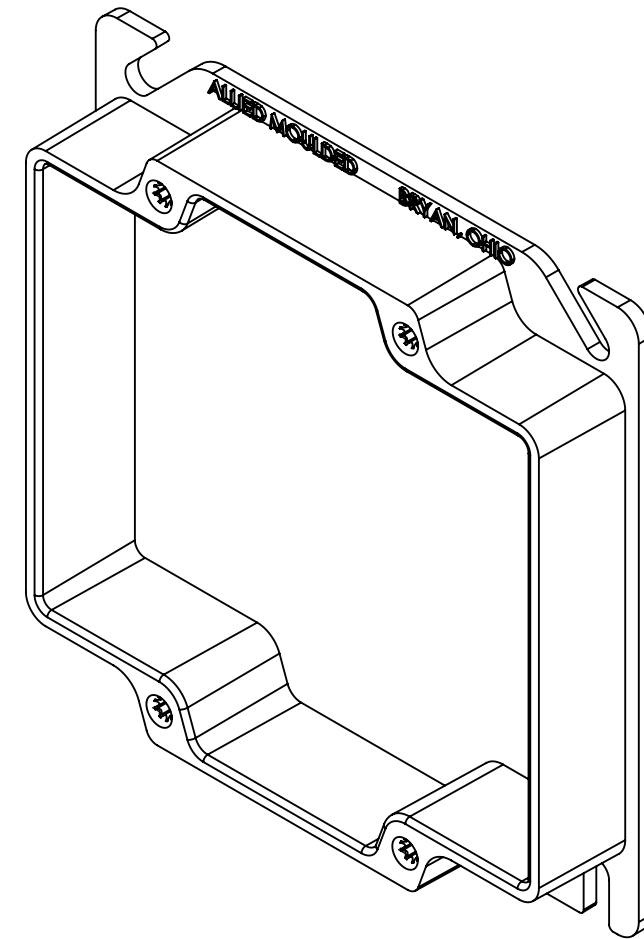
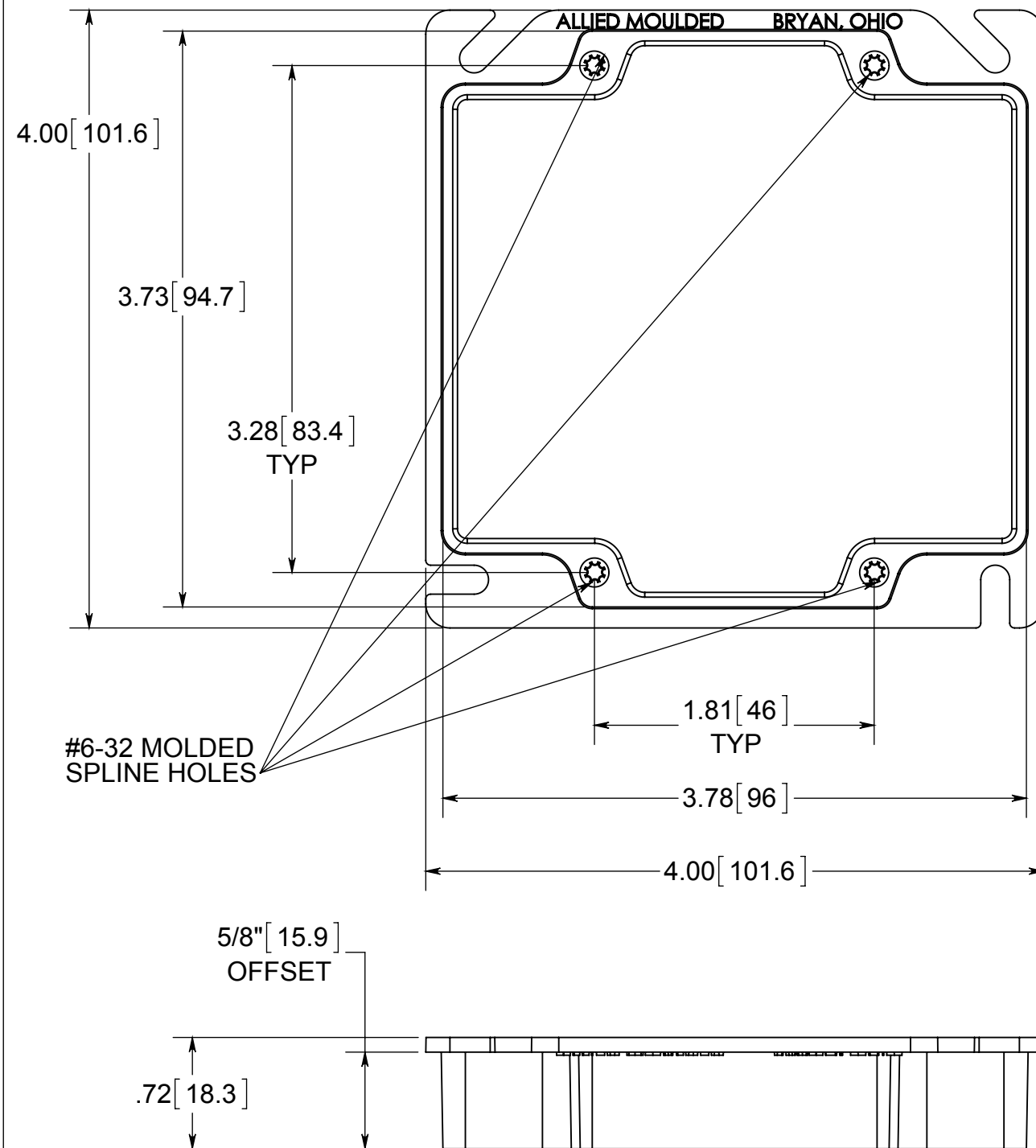


fiberglass BOX™

ISSUE DATE: 06/18/2015



- 1.) BOX MATERIAL: PVC
- 2.) UL LISTED
- 3.) USE WITH SERIES 9339, 9342, AND 9343 ONLY



® **ALLIED MOULDED PRODUCTS**
BRYAN, OHIO

The Original Fiber Glass Outlet Box

PRODUCT SERIES

TWO GANG PLASTER RING 8.1 CU. IN.

Part No.

9346-58

CONFIDENTIAL

THIS MATERIAL IS OWNED BY THE ALLIED MOULDED PRODUCTS COMPANY, IS DISCLOSED IN CONFIDENCE, AND IS NOT TO BE REPRODUCED OR DISTRIBUTED WITHOUT PRIOR WRITTEN PERMISSION FROM ALLIED MOULDED PRODUCTS.