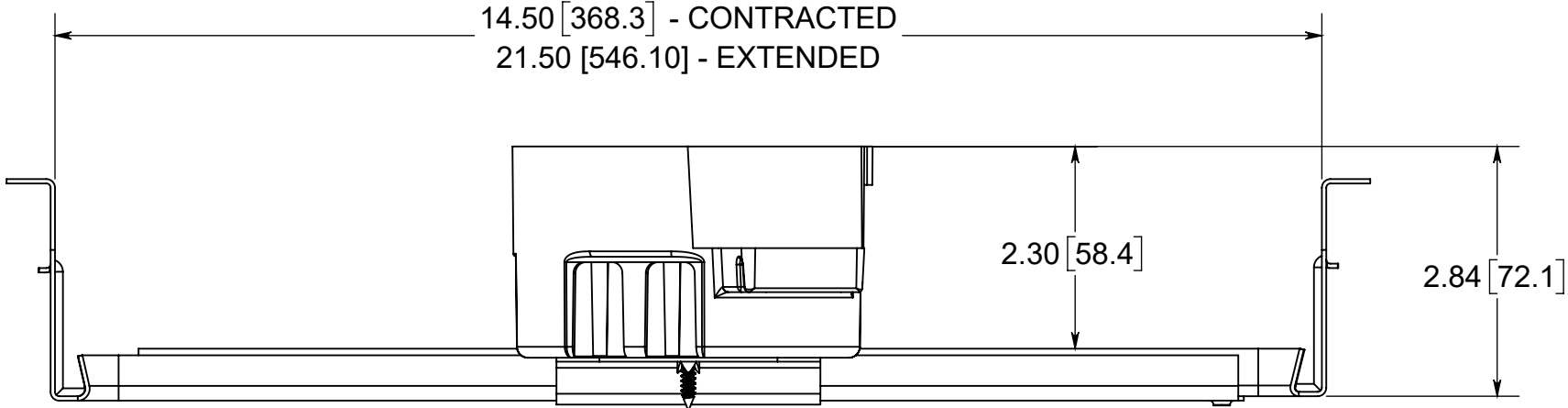
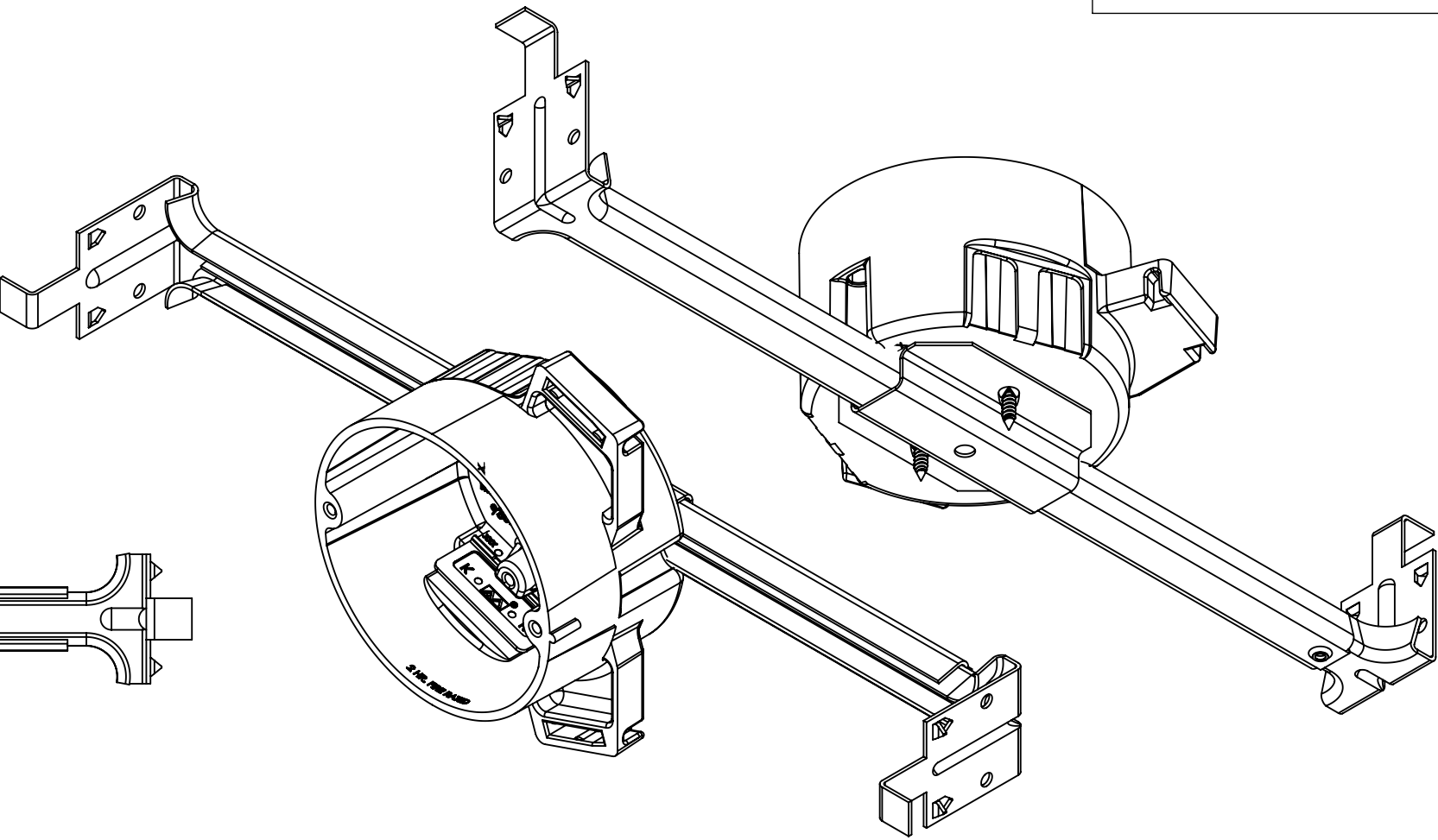
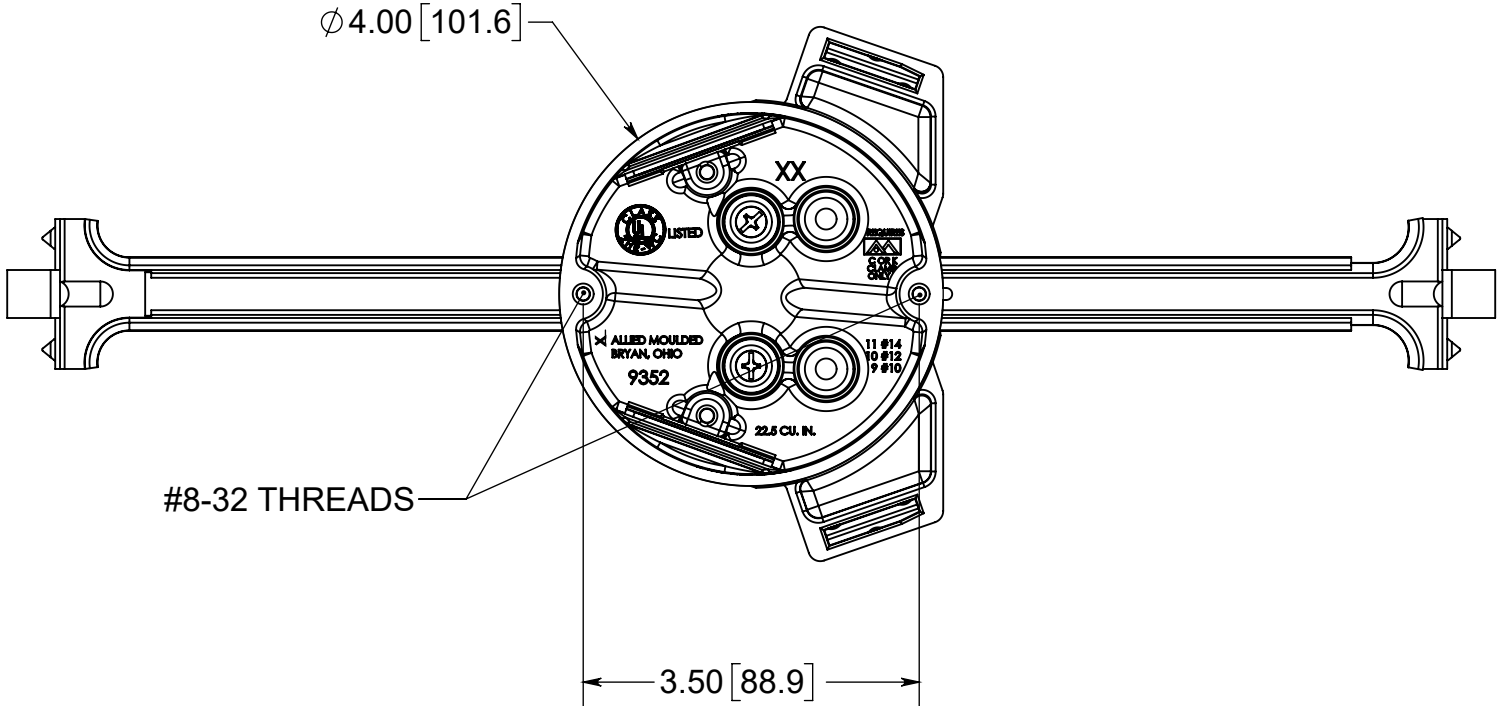


fiberglass BOX™



- NOTES:
- 1.) BOX MATERIAL: FIBERGLASS REINFORCED POLYESTER, SPEED KLAMP MATERIAL: PVC, BAR MATERIAL: GALVANIZED STEEL, MOUNTING BRACKET MATERIAL: GALVANIZED STEEL, MOUNTING BRACKET SCREW MATERIAL: ZINC PLATED
 - 2.) UL LISTED WITH 2 HOUR FIRE RATING FOR WALL AND CEILING
 - 3.) 16"-24" ADJUSTMENT BAR HANGER
 - 4.) SPEED KLAMPS FACTORY INSTALLED
 - 5.) DATA SUBJECT TO CHANGE WITHOUT NOTICE



PRODUCT SERIES
4" ROUND 22.5 CU. IN.

CONFIDENTIAL
 THIS MATERIAL IS OWNED BY THE ALLIED MOULDED PRODUCTS COMPANY, IS DISCLOSED IN CONFIDENCE AND IS NOT TO BE REPRODUCED OR DISTRIBUTED WITHOUT PRIOR WRITTEN PERMISSION FROM ALLIED MOULDED PRODUCTS.
 ©2018 Allied Moulded Products, Inc.
 All Rights Reserved

Part No.
9352-BHK