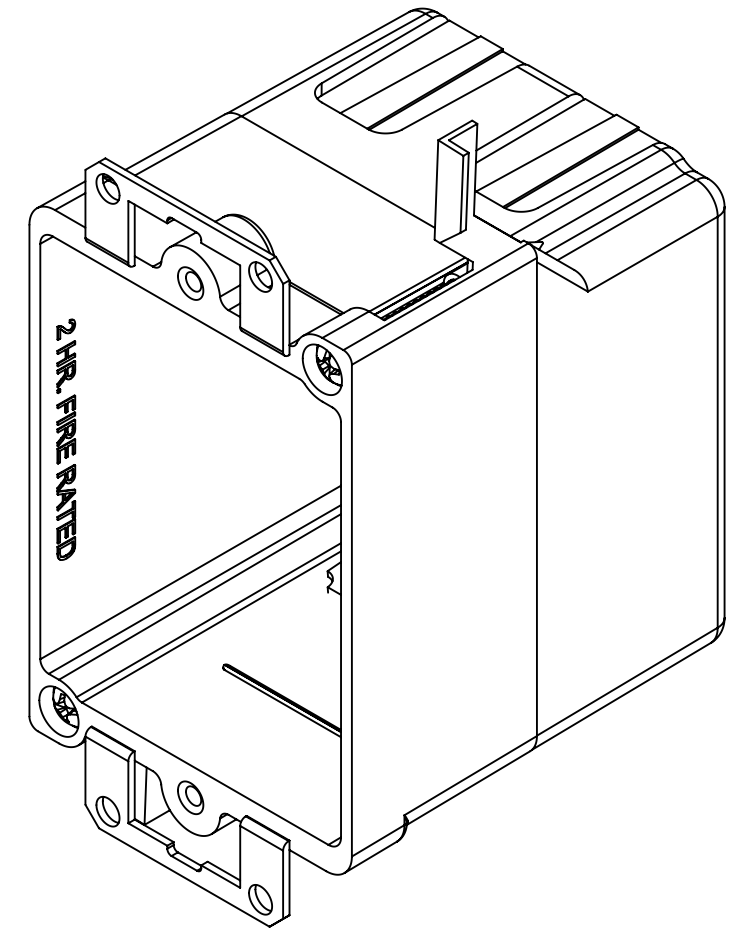
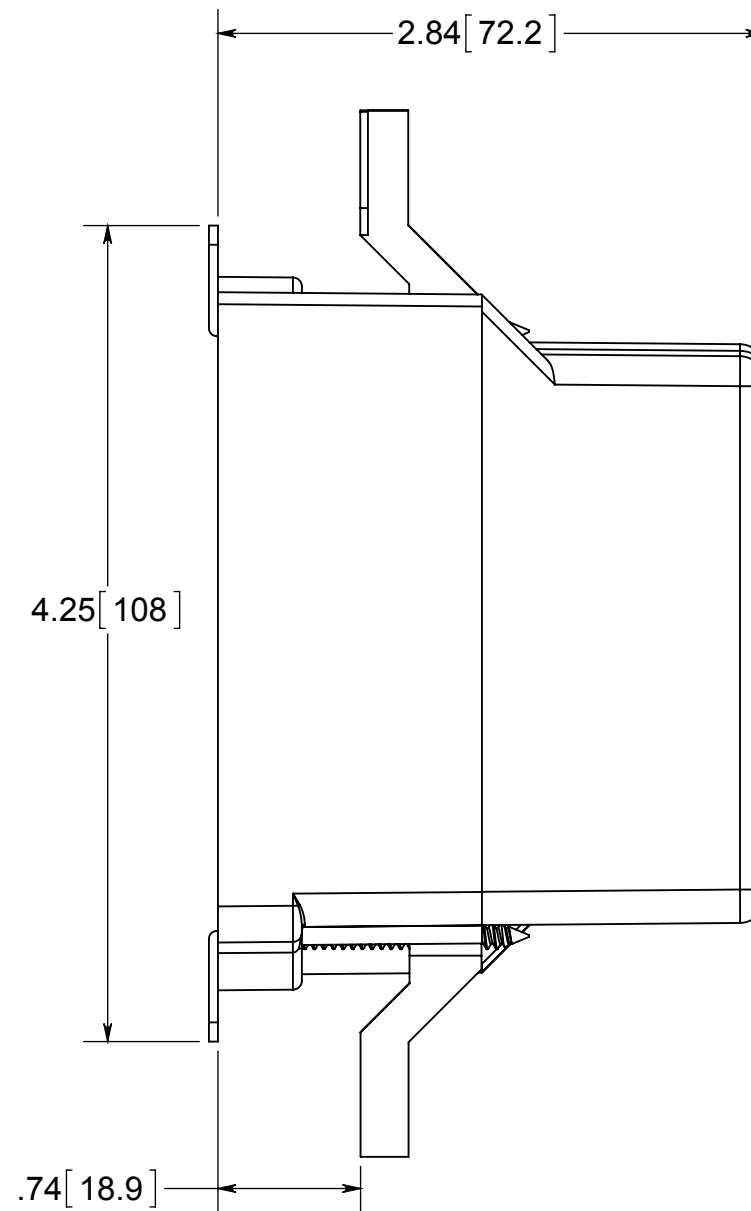
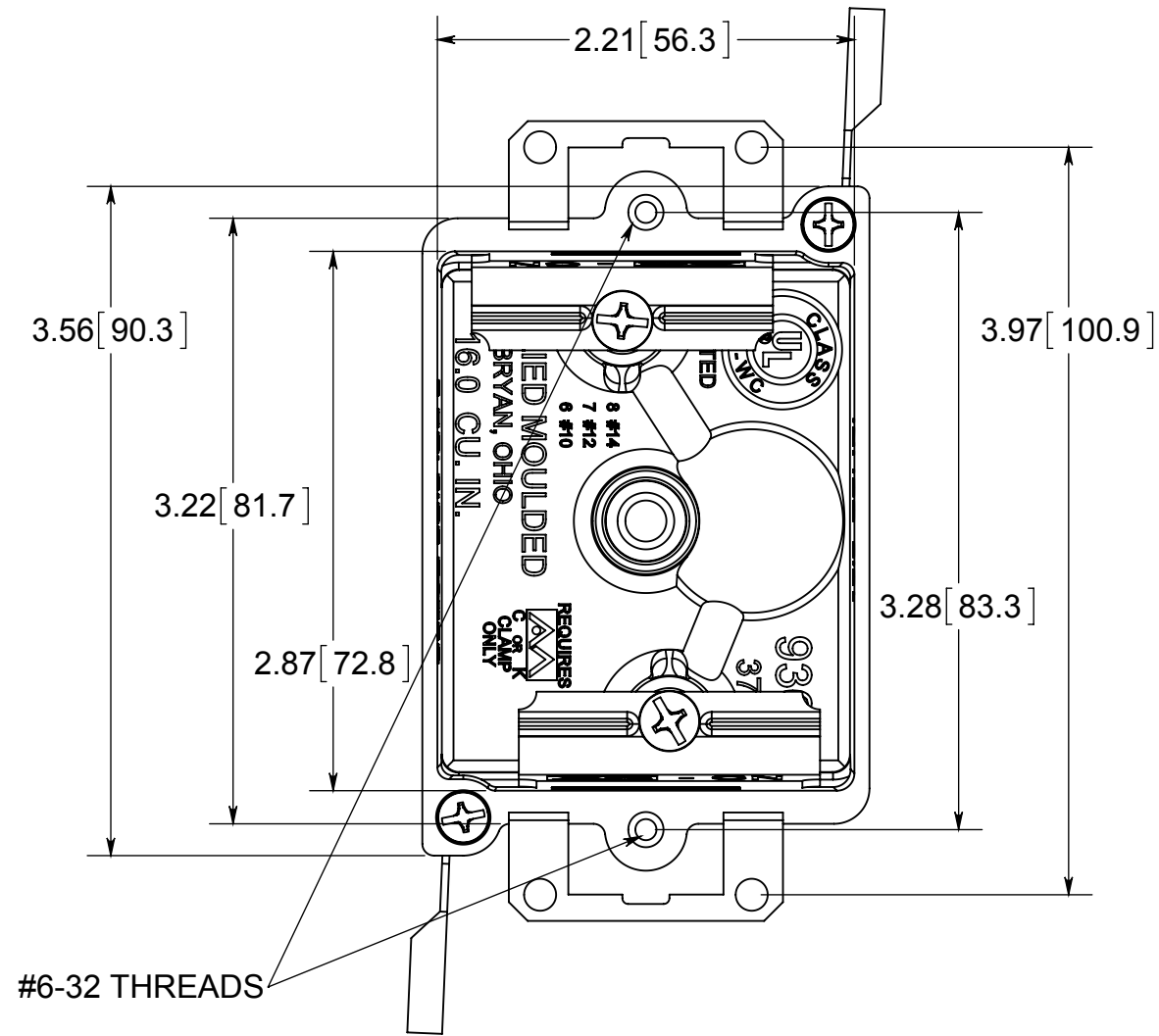


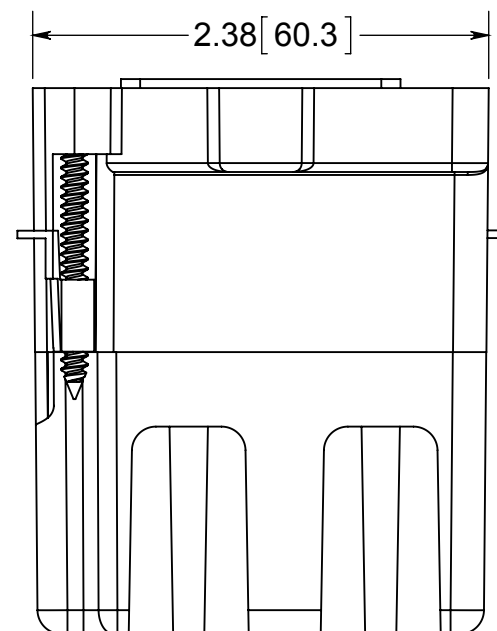
# fiberglass BOX™

ISSUE DATE: 06/19/2015



**NOTES:**

- 1.) BOX MATERIAL: FIBERGLASS REINFORCED POLYESTER, EAR MATERIAL: GALVANIZED STEEL, WING MATERIAL: GALVANIZED STEEL, WING SCREW MATERIAL: ZINC COATED STEEL, WIRE CLAMP MATERIAL: GALVANIZED STEEL, WIRE CLAMP SCREW MATERIAL: ZINC PLATED STEEL
- 2.) UL LISTED WITH 2 HOUR FIRE RATING FOR WALL AND CEILING
- 3.) 2 WIRE CLAMPS FACTORY INSTALLED



® **ALLIED MOULDED PRODUCTS**  
BRYAN, OHIO

The Original Fiber Glass Outlet Box

PRODUCT SERIES

OLD WORK SINGLE GANG 16.0 CU. IN.

Part No.

**9363- EWC2**

**CONFIDENTIAL**

THIS MATERIAL IS OWNED BY THE ALLIED MOULDED PRODUCTS COMPANY, IS DISCLOSED IN CONFIDENCE, AND IS NOT TO BE REPRODUCED OR DISTRIBUTED WITHOUT PRIOR WRITTEN PERMISSION FROM ALLIED MOULDED PRODUCTS.