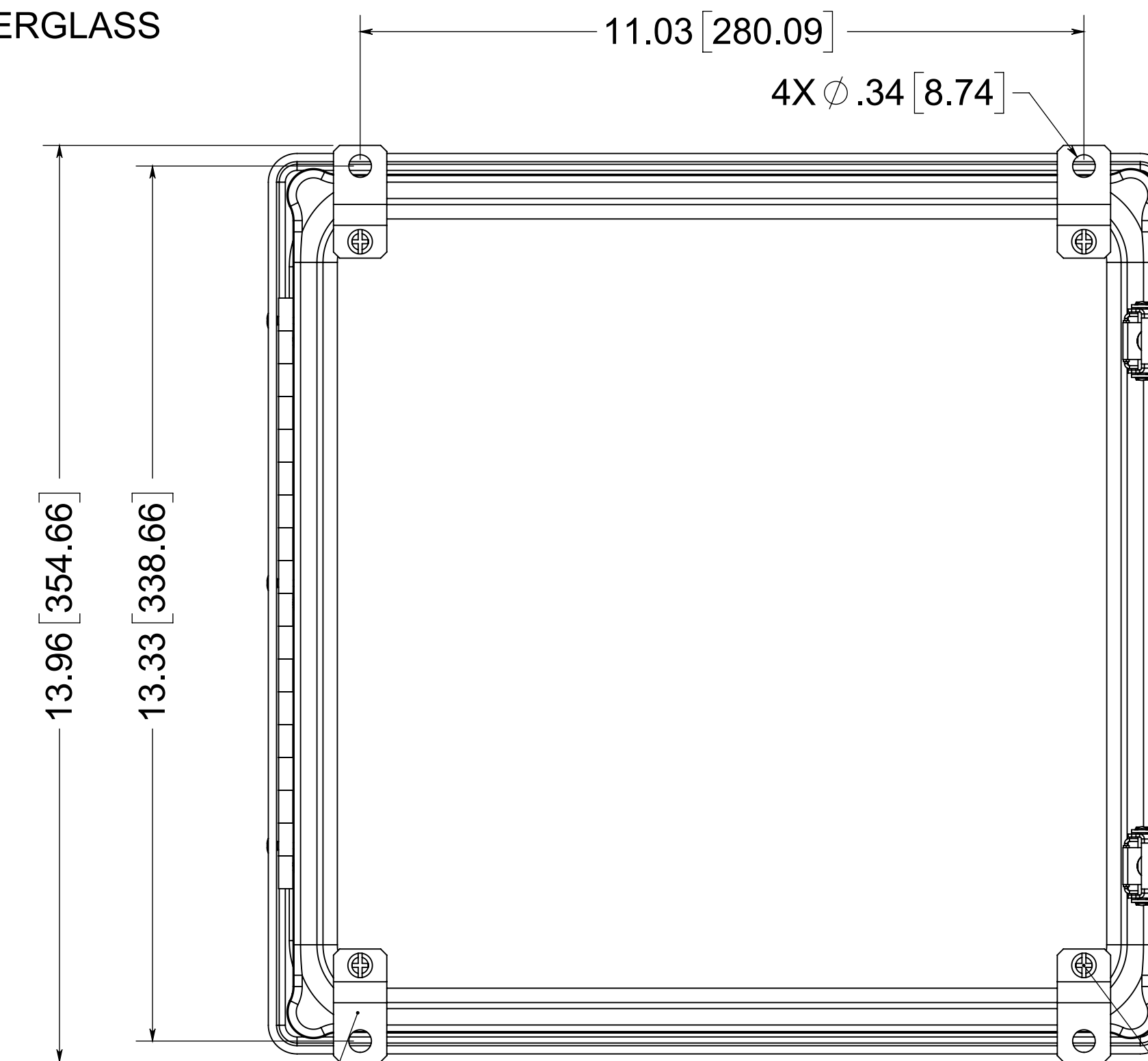
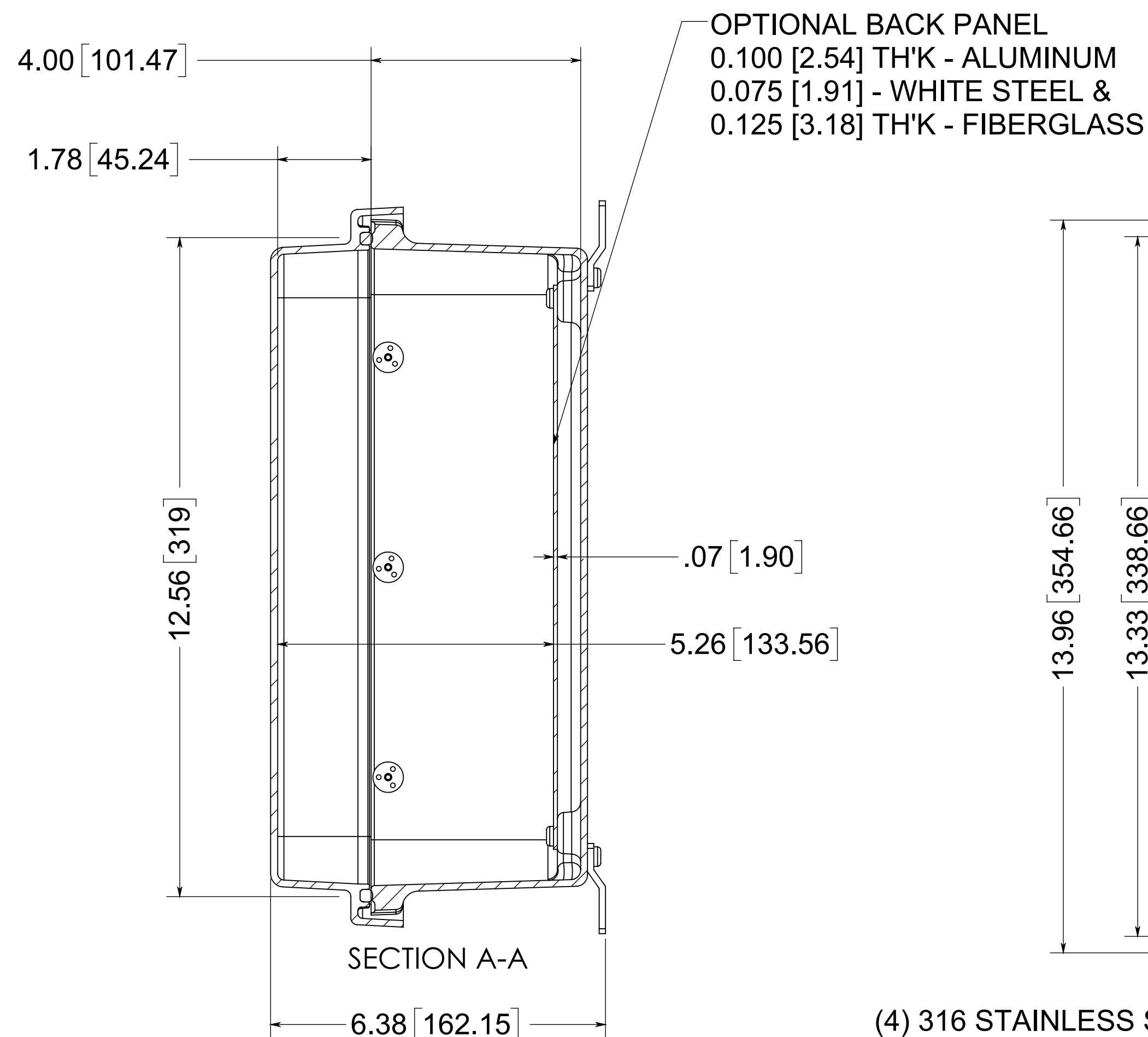
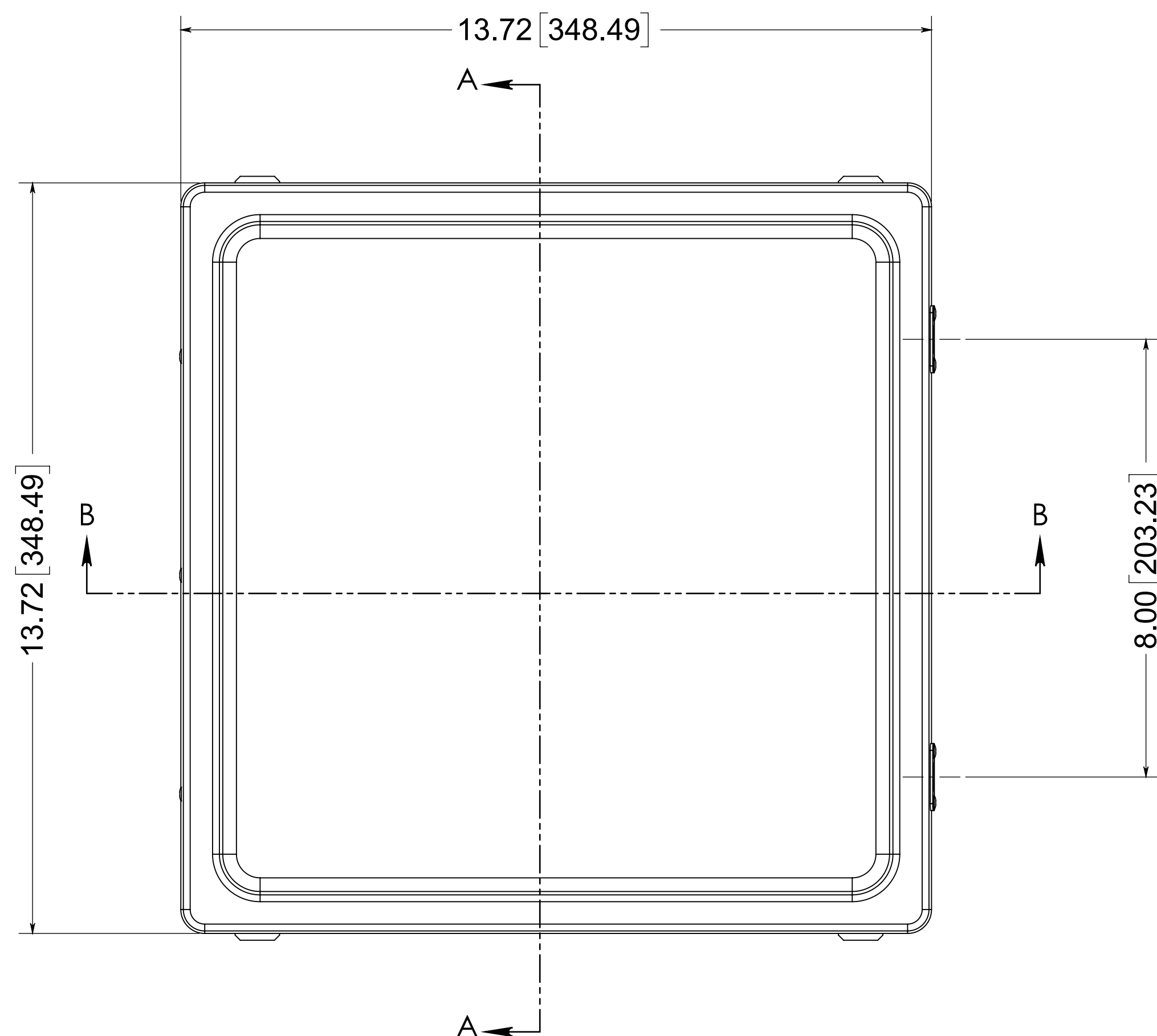
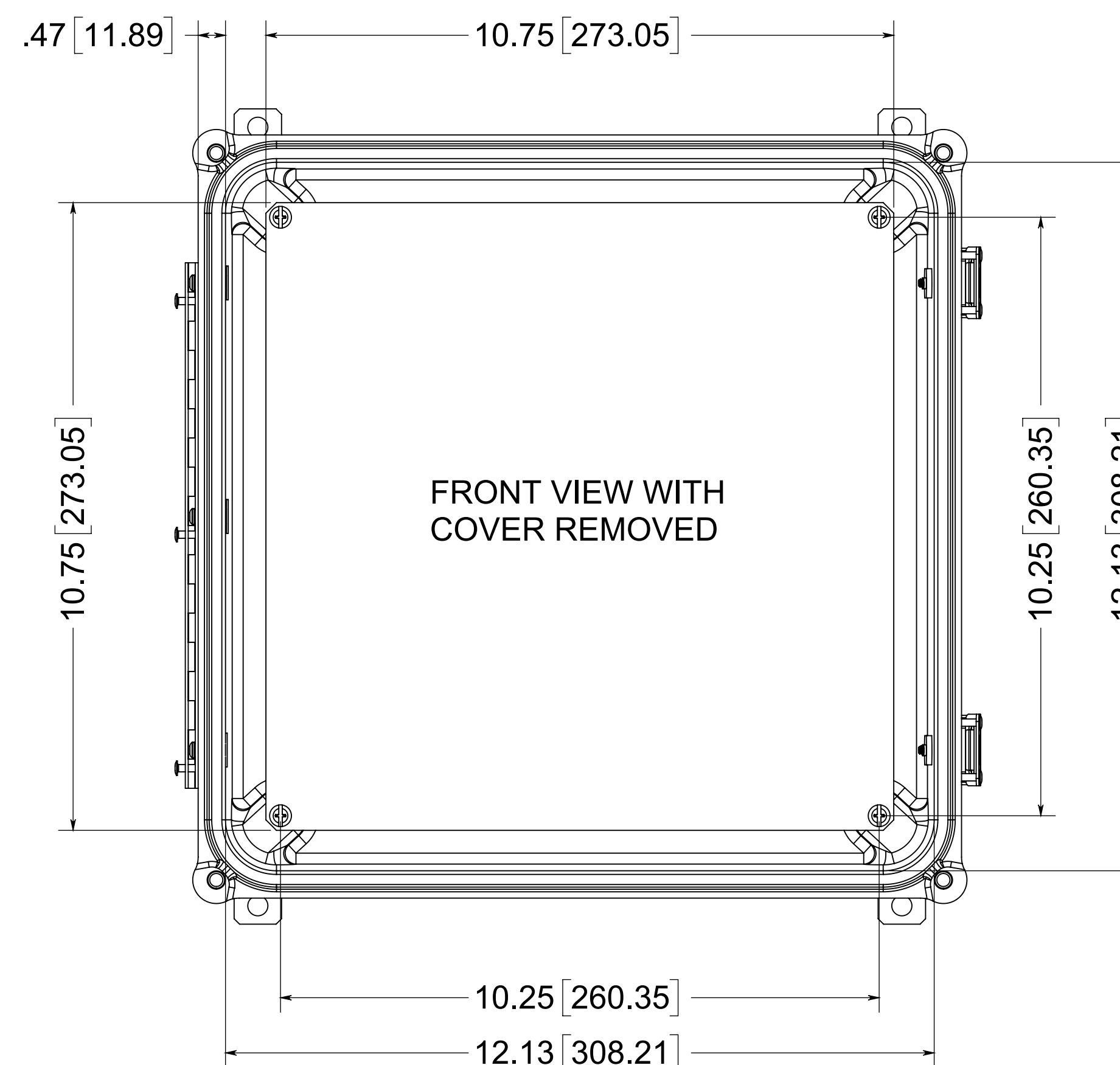
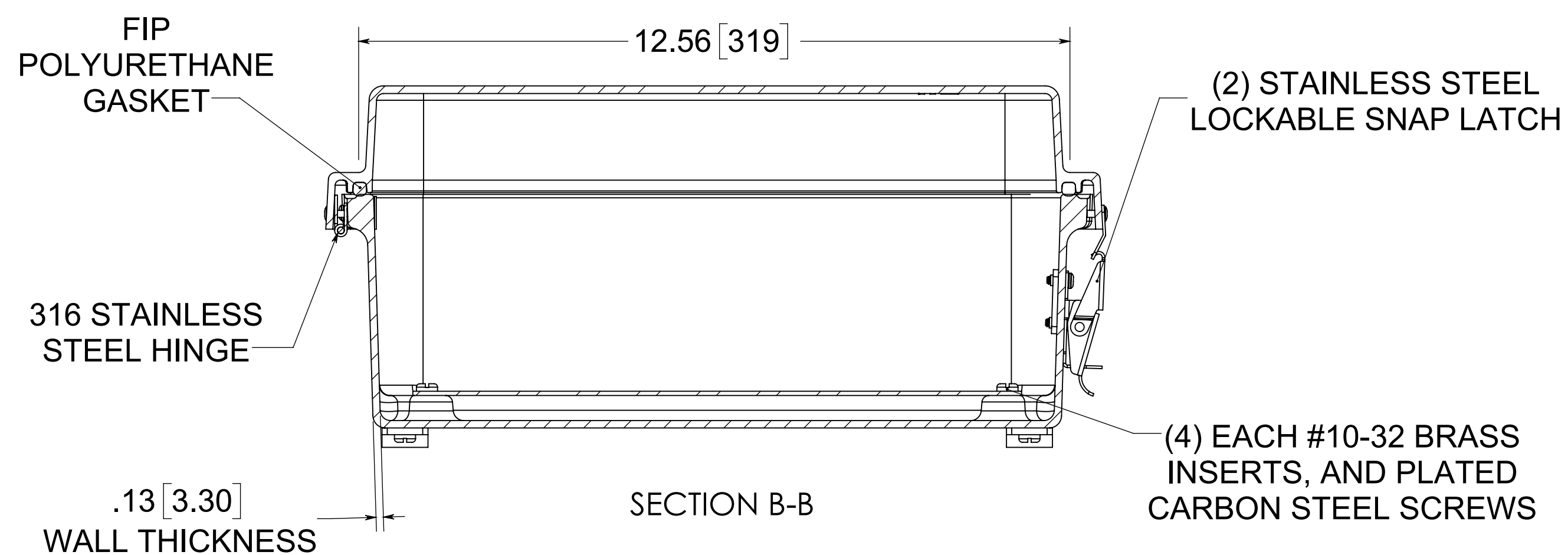


Date	Rev	Description	ECN No.	ISSUE DATE	DR	CK	REL
05/31/2016	01	INITIAL RELEASE	ECN-11359		SMZ	MER	GEL
-	-	-	-	-	-	-	-
-	-	-	-	-	-	-	-



(4) 316 STAINLESS STEEL FEET

(4) EACH #10-32 BRASS INSERTS, AND 316 STAINLESS STEEL FEET SCREWS



NOTE:
1. DATA SUBJECT TO CHANGE WITHOUT NOTICE

MATERIAL:
 BOX - COMPRESSION MOLDED FIBERGLASS REINFORCED POLYESTER
 COVER - COMPRESSION MOLDED FIBERGLASS REINFORCED POLYESTER
 WINDOWS - POLYCARBONATE



Description
AM Series
 Part No.
AM1224RL

CONFIDENTIAL
 THIS MATERIAL IS OWNED BY THE ALLIED MOULDED PRODUCTS COMPANY, IS DISCLOSED IN CONFIDENCE, AND IS NOT TO BE REPRODUCED OR DISTRIBUTED WITHOUT PRIOR WRITTEN PERMISSION FROM ALLIED MOULDED PRODUCTS.