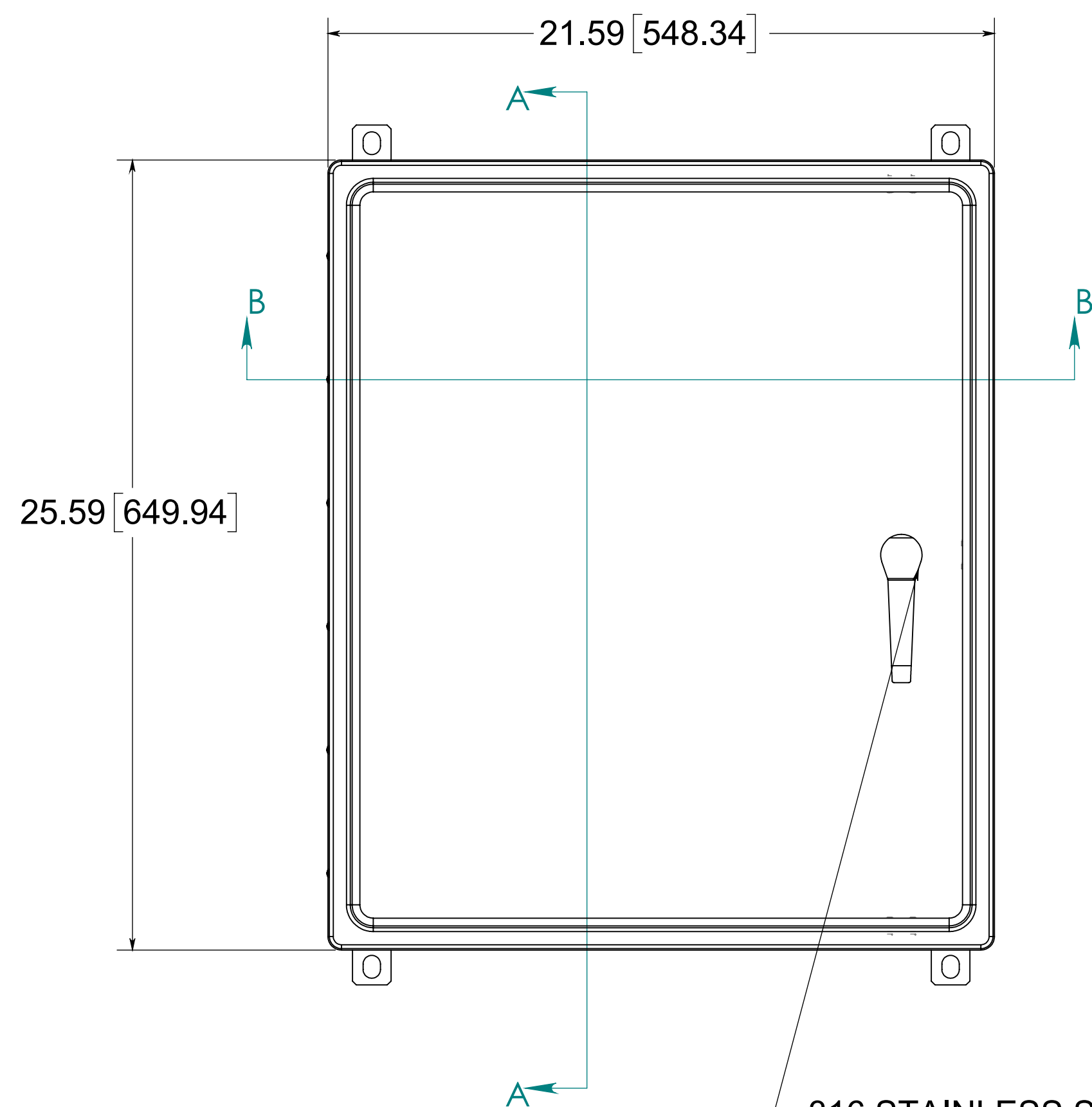
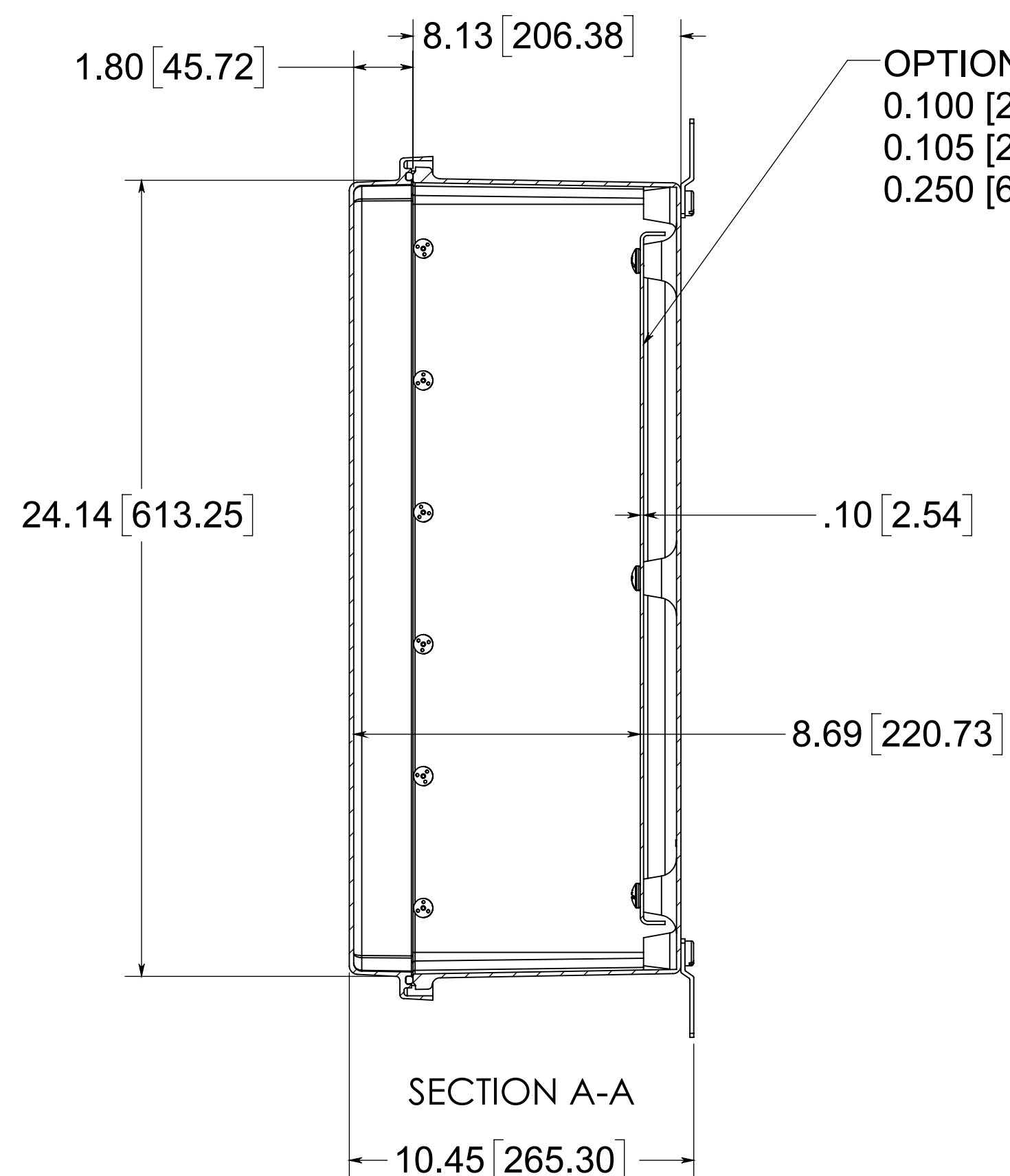


Date	Rev	Description	ECN No.	ISSUE DATE	DR	CK	REL
03/13/2018		INITIAL RELEASE	ECN-12522		DJL	SRH	GEL
-	-	-	-	-	-	-	-
-	-	-	-	-	-	-	-

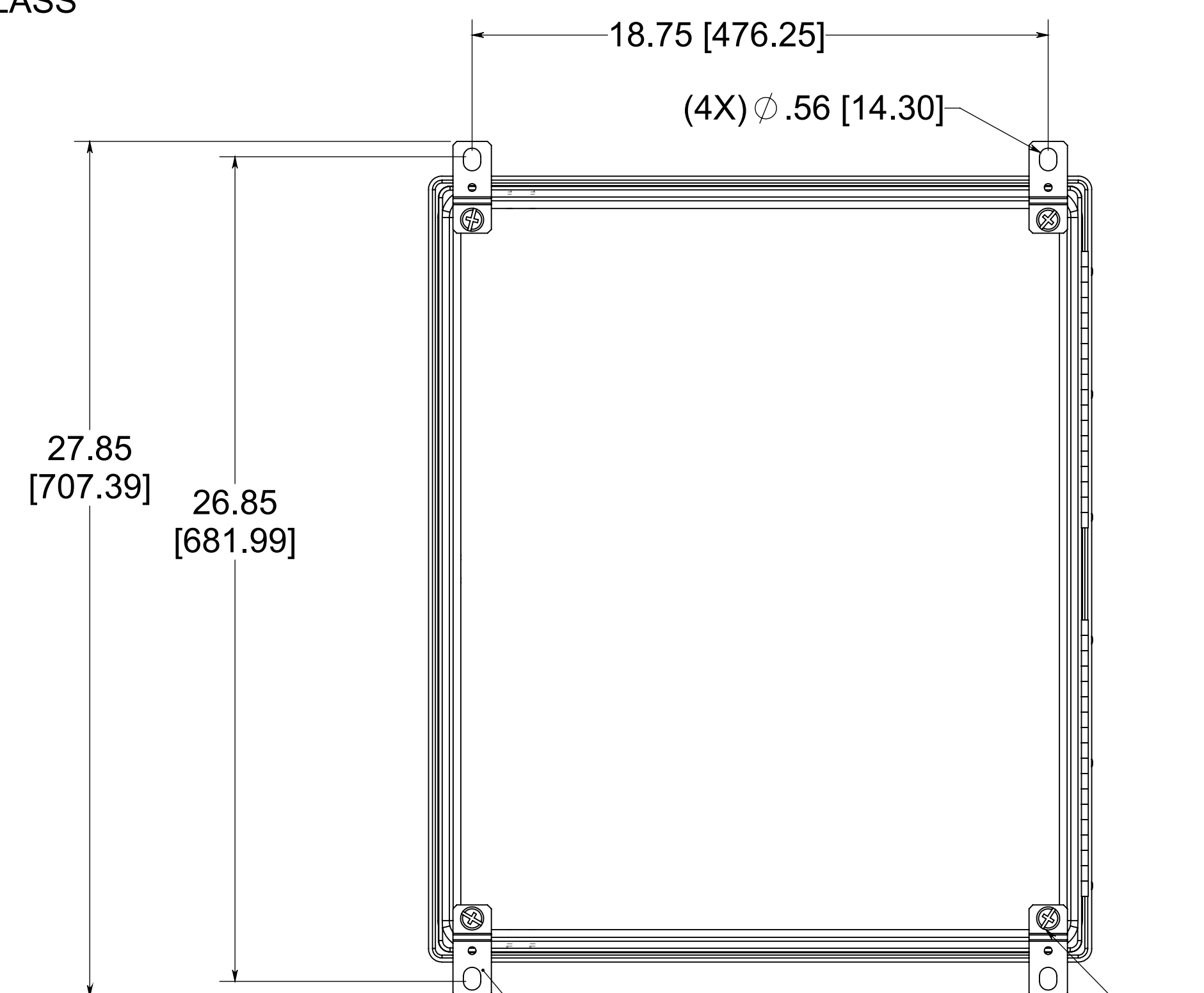


316 STAINLESS STEEL LATCH HANDLE



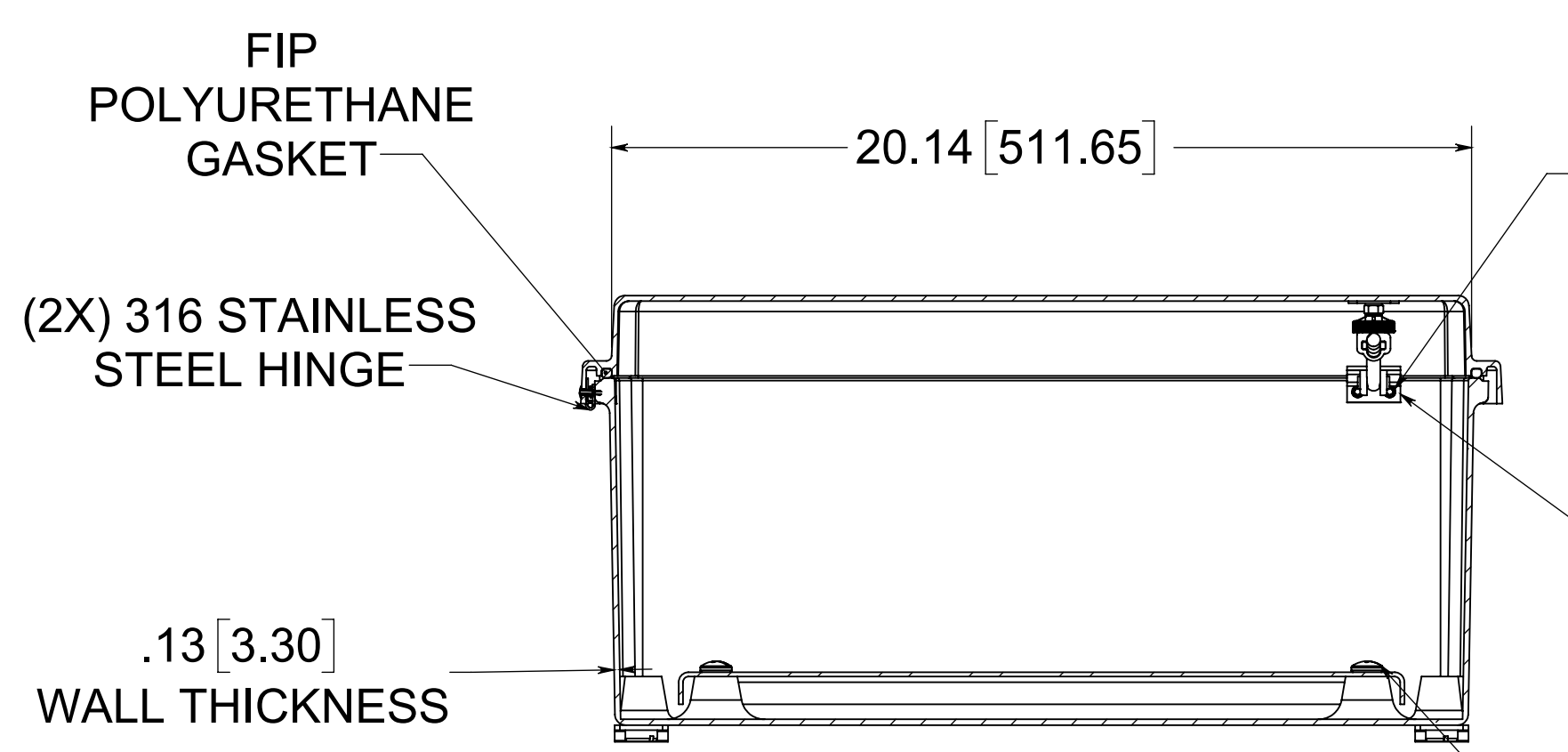
SECTION A-A

OPTIONAL BACK PANEL
 0.100 [2.54] TH'K- ALUMINUM
 0.105 [2.67] TH'K- WHITE STEEL
 0.250 [6.35] TH'K- FIBERGLASS



(4X) 316 STAINLESS STEEL FEET

(4X) EACH 3/8-16 BRASS INSERTS AND 316 STAINLESS STEEL FEET SCREWS

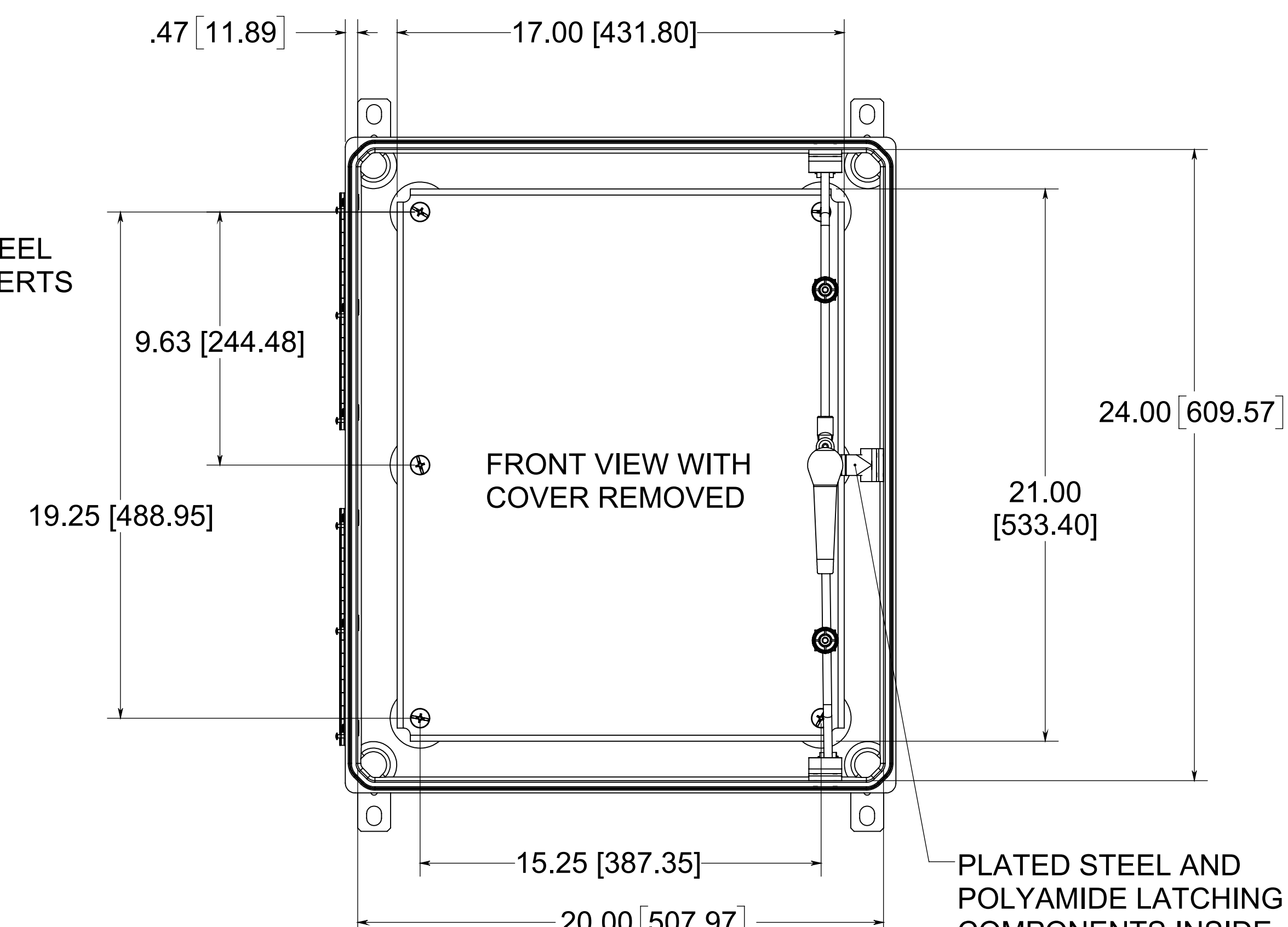


SECTION B-B

(6X) EACH 18-8 STAINLESS STEEL SCREWS AND #8-32 BRASS INSERTS

(3X) 304 STAINLESS STEEL BRACKETS

(6X) EACH 3/8"-16 BRASS INSERTS AND PLATED CARBON STEEL SCREWS

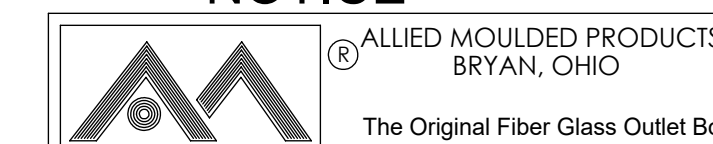


FRONT VIEW WITH COVER REMOVED

PLATED STEEL AND POLYAMIDE LATCHING COMPONENTS INSIDE

MATERIAL:
 BOX- COMPRESSION MOLDED FIBERGLASS REINFORCED POLYESTER
 COVER- COMPRESSION MOLDED FIBERGLASS REINFORCED POLYESTER
 WINDOW- POLYCARBONATE

NOTE:
 1. DATA SUBJECT TO CHANGE WITHOUT NOTICE



CONFIDENTIAL
 THIS MATERIAL IS OWNED BY THE ALLIED MOULDED PRODUCTS COMPANY, IS DISCLOSED IN CONFIDENCE, AND IS NOT TO BE REPRODUCED OR DISTRIBUTED WITHOUT PRIOR WRITTEN PERMISSION FROM ALLIED MOULDED PRODUCTS.
 © Allied Moulded Products, Inc. All Rights Reserved

Description
Control
 Part No.
AM24208R3PT