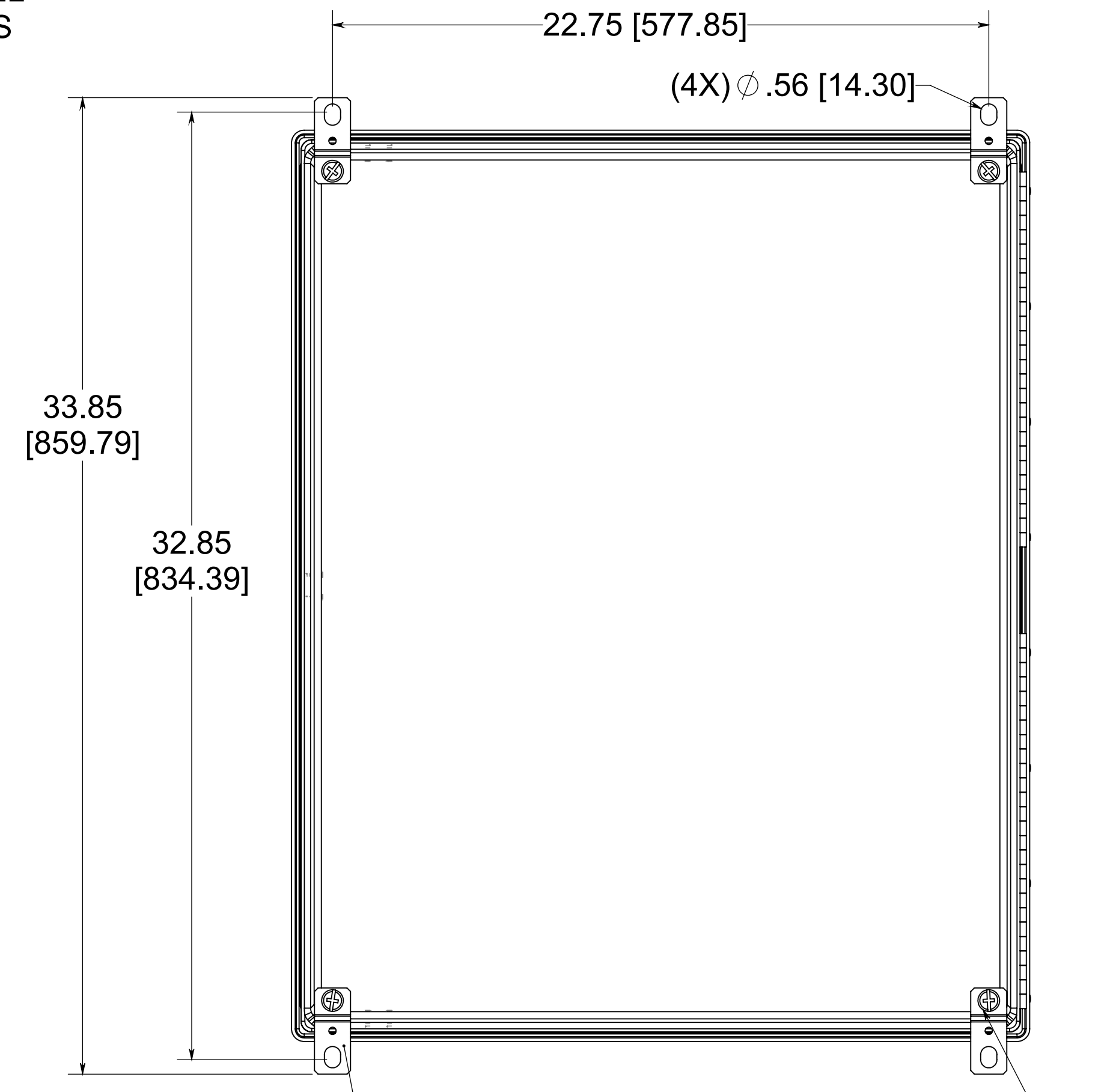
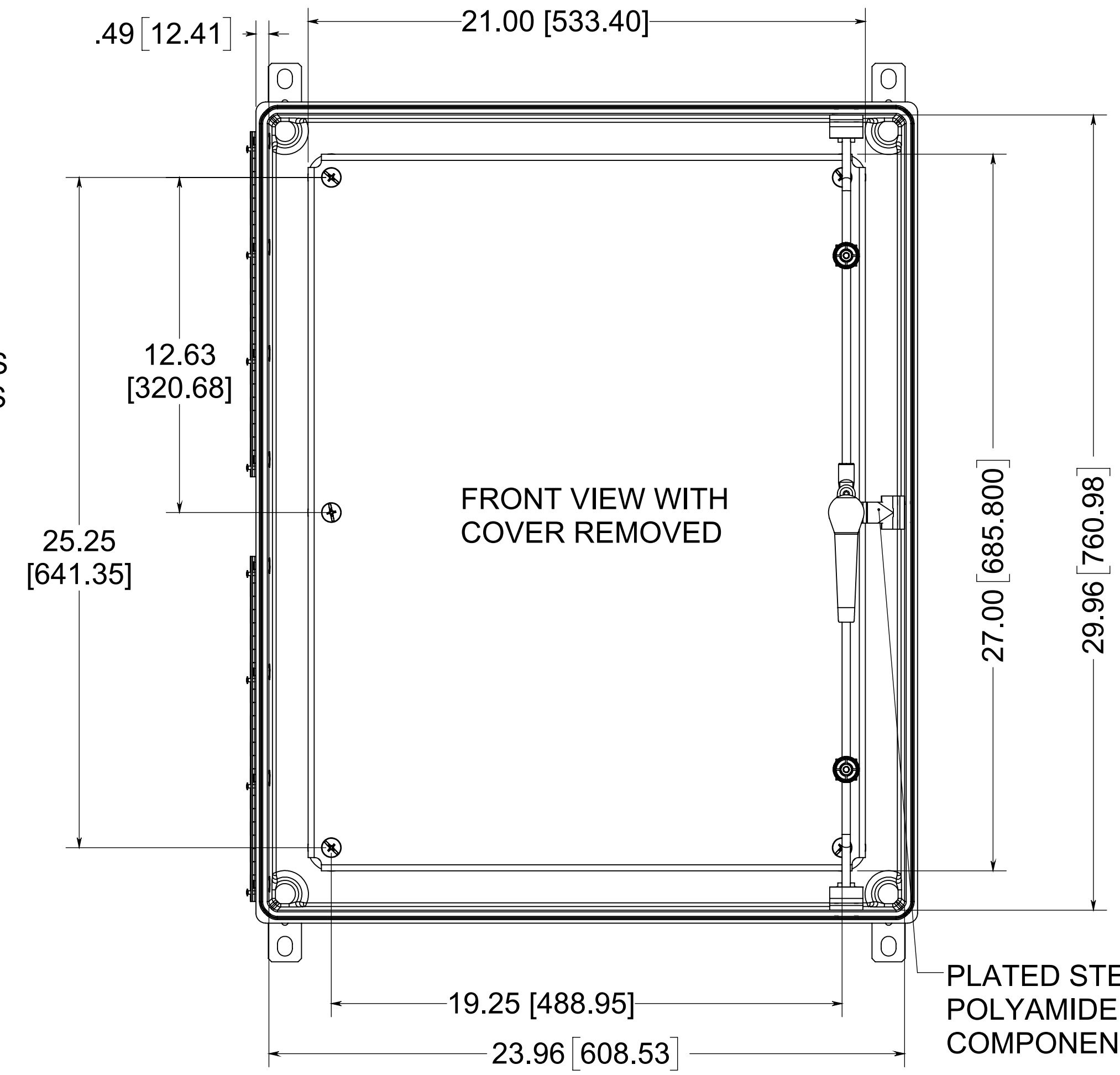
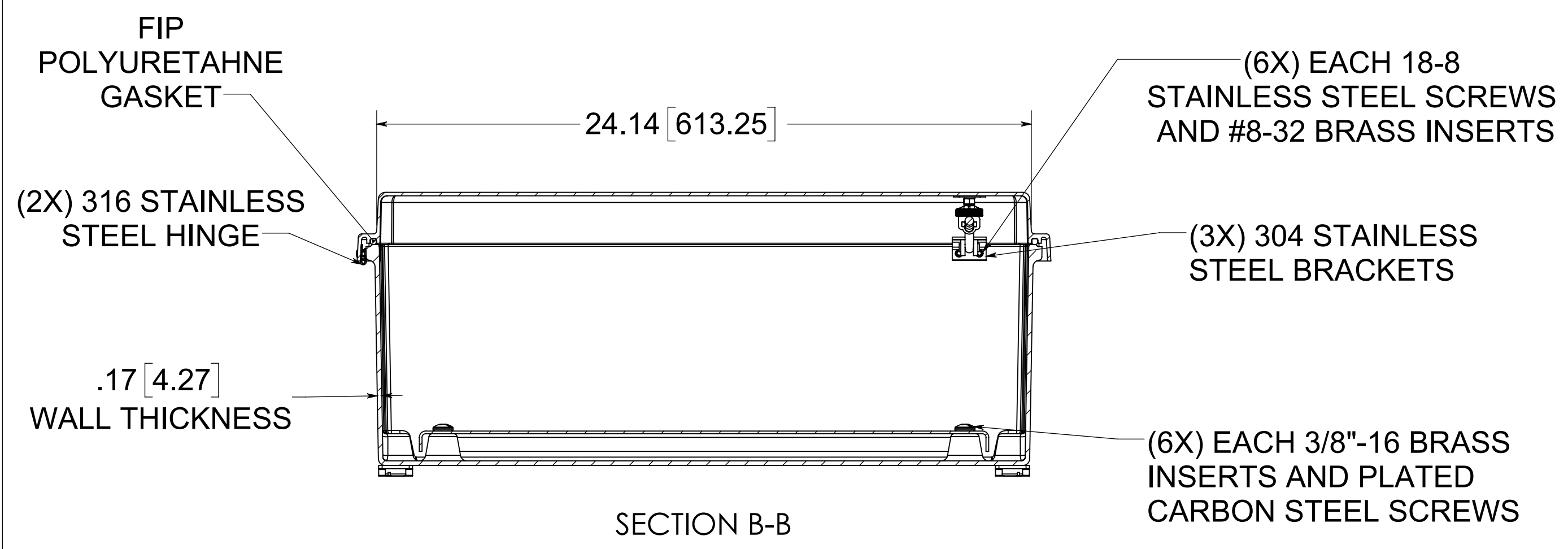


OPTIONAL BACK PANEL  
 0.100 [2.54] TH'K- ALUMINUM  
 0.105 [2.67] TH'K- WHITE STEEL  
 0.250 [6.35] TH'K- FIBERGLASS



(4X) EACH 3/8-16 BRASS  
 INSERTS AND 316 STAINLESS  
 STEEL FEET SCREWS

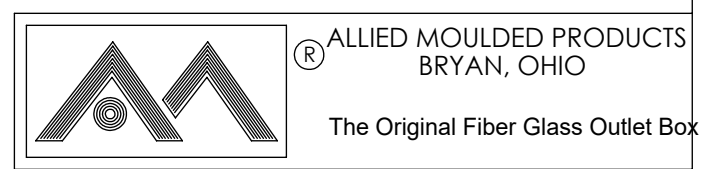
(4X) 316 STAINLESS  
 STEEL FEET



PLATED STEEL AND  
 POLYAMIDE LATCHING  
 COMPONENTS INSIDE

MATERIAL:  
 BOX- COMPRESSION MOLDED FIBERGLASS REINFORCED POLYESTER  
 COVER- COMPRESSION MOLDED FIBERGLASS REINFORCED POLYESTER  
 WINDOW- POLYCARBONATE

NOTE:  
 1. DATA SUBJECT TO  
 CHANGE WITHOUT  
 NOTICE



CONFIDENTIAL  
 THIS MATERIAL IS OWNED BY THE ALLIED  
 MOULDED PRODUCTS COMPANY, IS DISCLOSED  
 IN CONFIDENCE, AND IS NOT TO BE REPRODUCED  
 OR DISTRIBUTED WITHOUT PRIOR WRITTEN  
 PERMISSION FROM ALLIED MOULDED PRODUCTS.  
 © Allied Moulded Products, Inc.  
 All Rights Reserved

Description  
**Control**  
 Part No.  
**AM30248R3PT**