

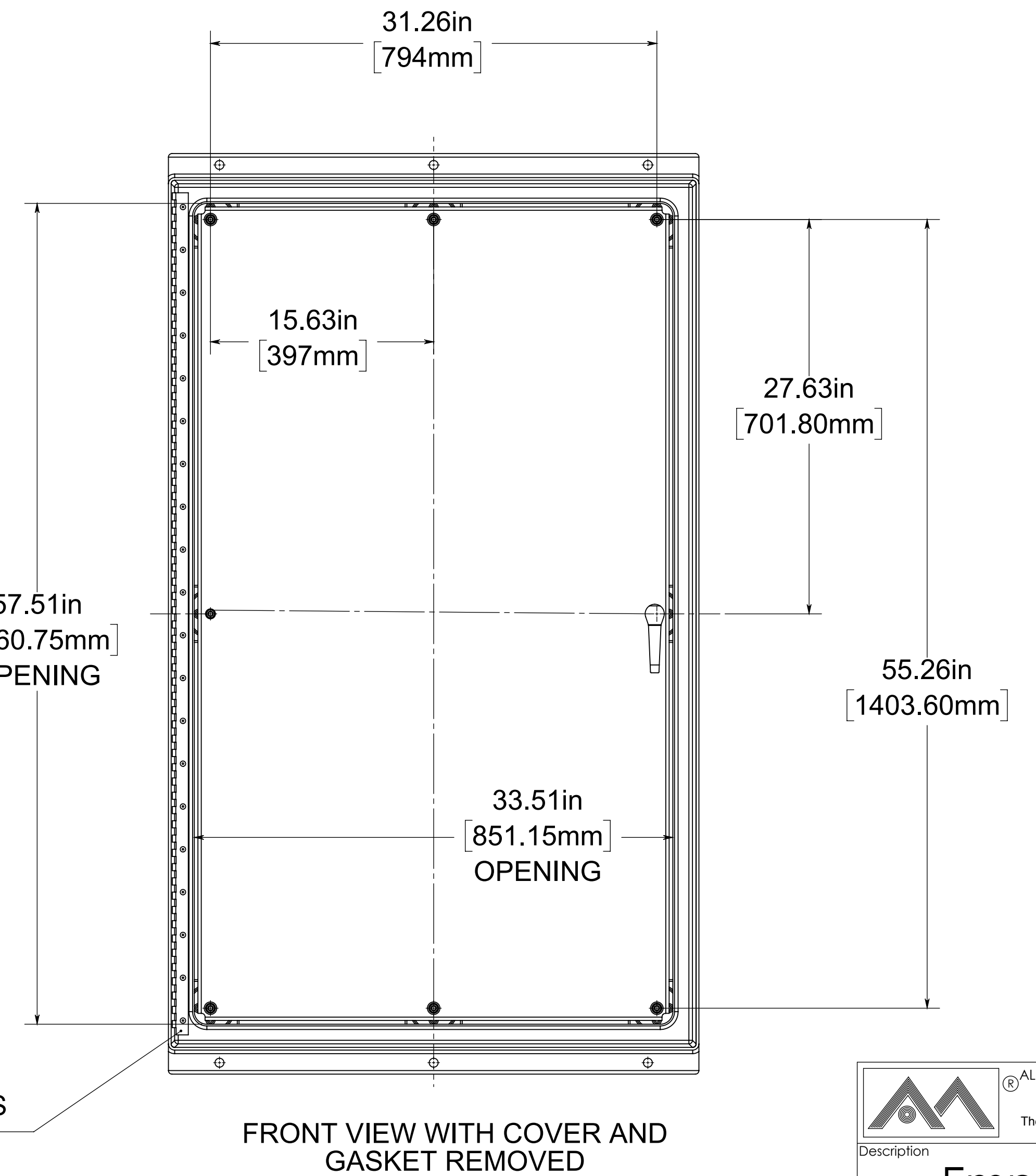
- STANDARD PVC SPACER
- STAINLESS STEEL 3/8-16x2 THREADED ROD
- STAINLESS STEEL 3/8 INT. TEETH LOCKING WASHER
- STAINLESS STEEL 3/8 FLAT WASHER
- STAINLESS STEEL 3/8-16 HEX HEAD NUT
- ALL TYP. (8x)

OPTIONAL PAINTED CARBON STEEL BACK PANEL .105 [2.7] THICK PART NO. P6036CS

MATERIAL:

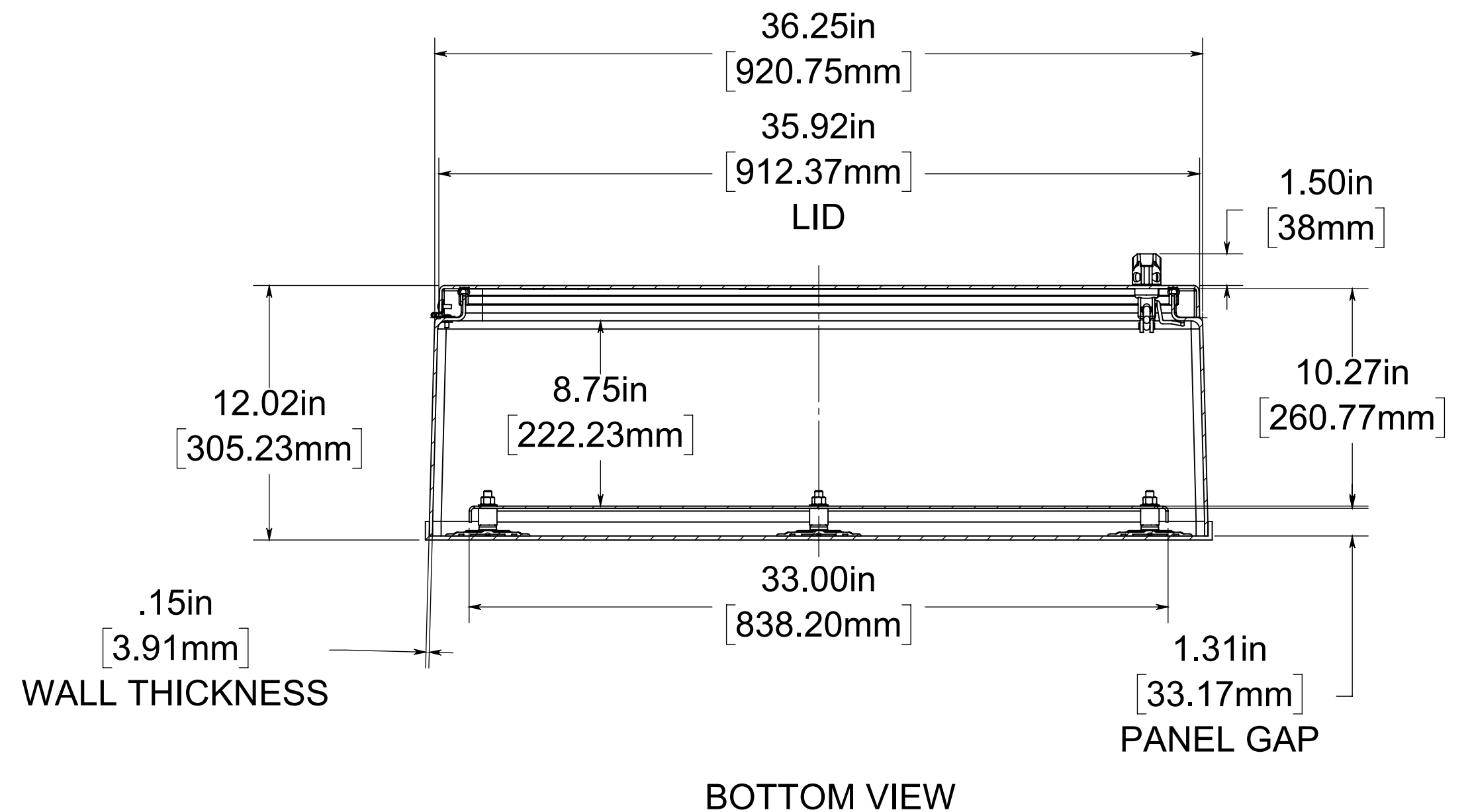
- BOX- GEL-COAT, FIBERGLASS, POLYESTER RESIN
- COVER- GEL-COAT, FIBERGLASS, POLYESTER RESIN
- EPDM GASKET SEAL

316 SS 3-PT LATCH W/PADLOCK PROVISION



CONTINUOUS 316 SS PIANO HINGE

NOTE:
1. DATA SUBJECT TO CHANGE



Empire
Part No. AM603612L3PT

CONFIDENTIAL
THIS MATERIAL IS OWNED BY THE ALLIED MOULDED PRODUCTS COMPANY, IS DISCLOSED IN CONFIDENCE, AND IS NOT TO BE REPRODUCED OR DISTRIBUTED WITHOUT PRIOR WRITTEN PERMISSION FROM ALLIED MOULDED PRODUCTS.