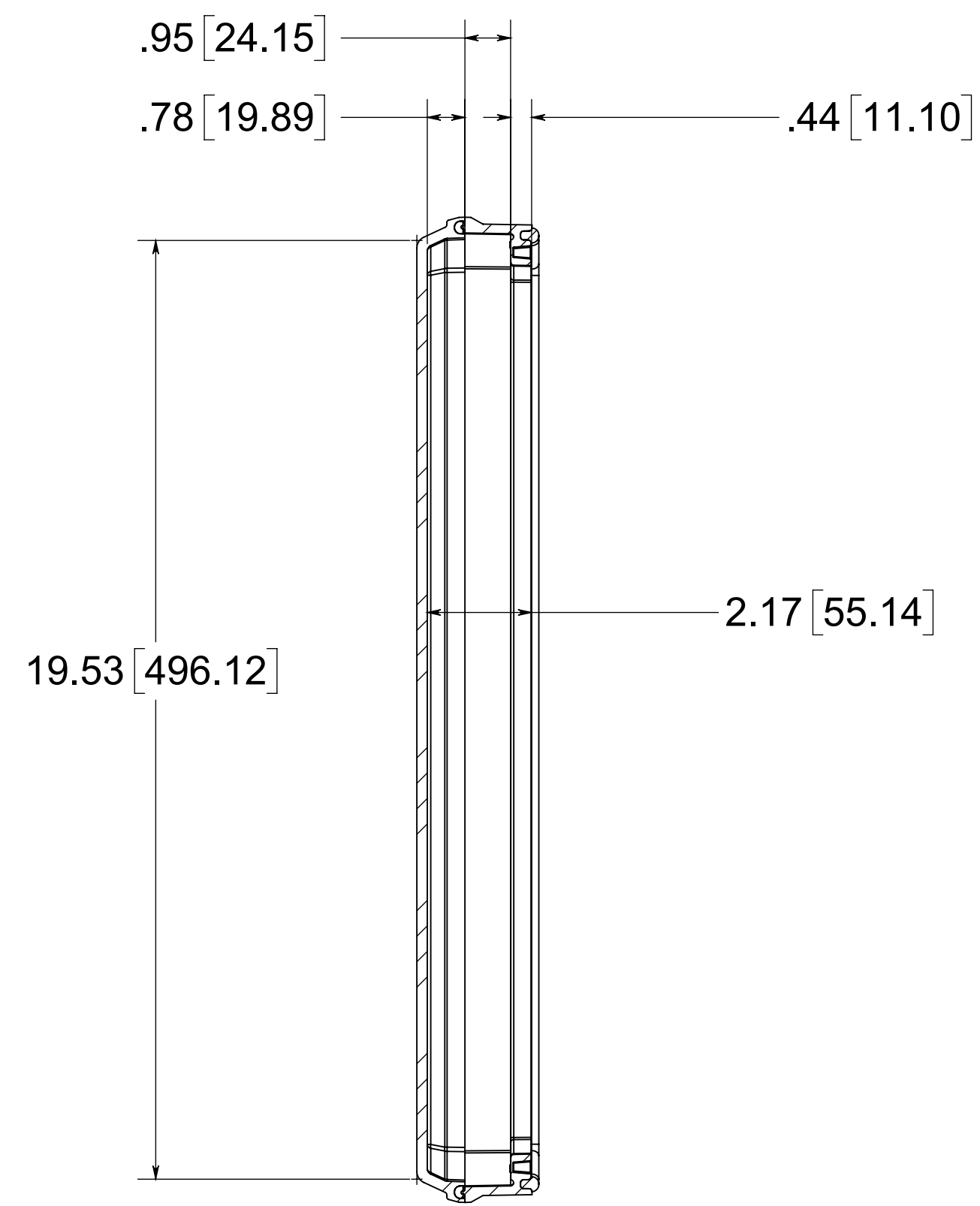
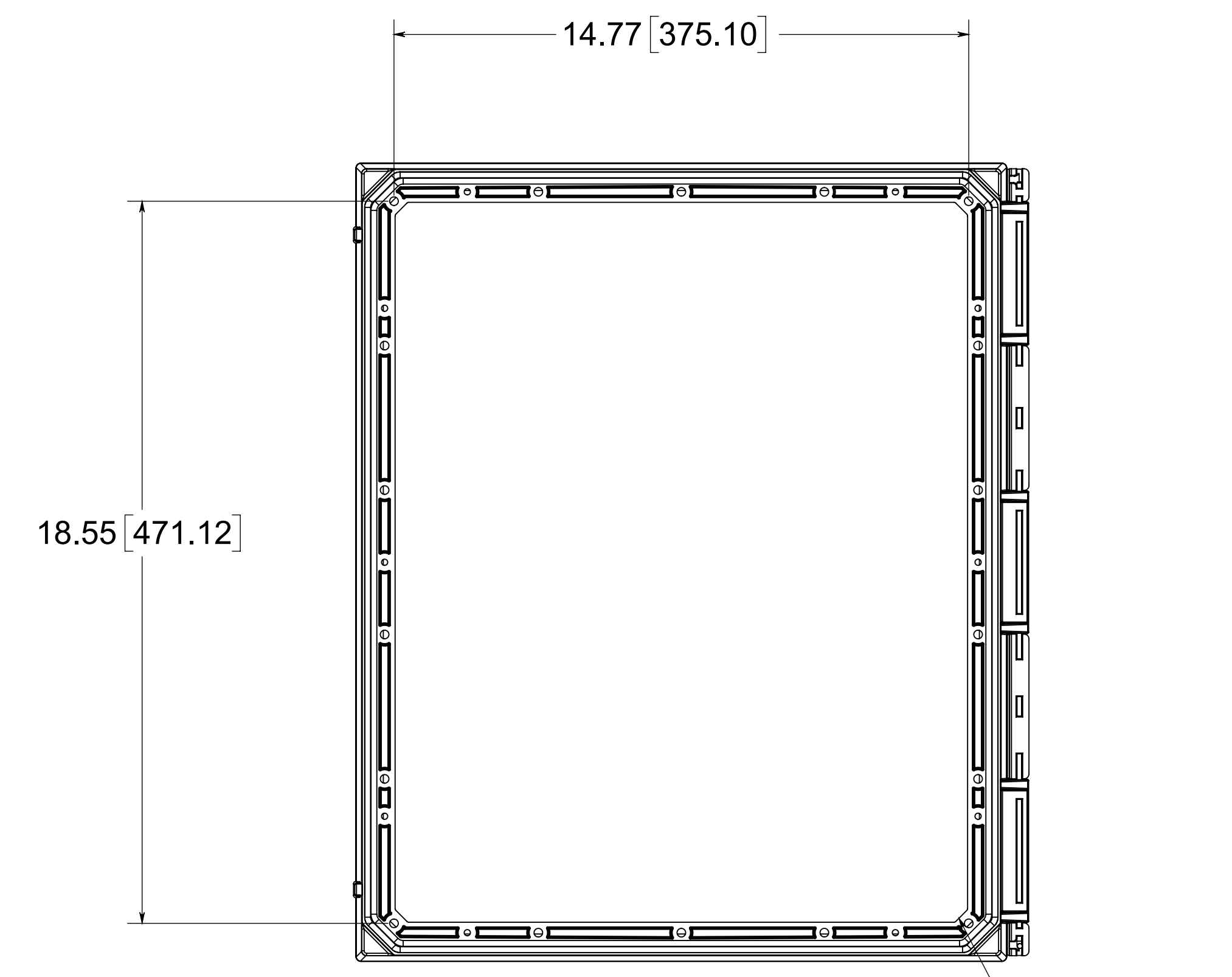


316 STAINLESS STEEL HINGE PIN

(2) EACH #10-32 BRASS INSERTS AND 316 STAINLESS STEEL CAPTIVE COVER SCREWS WITH RETAINING O-RING

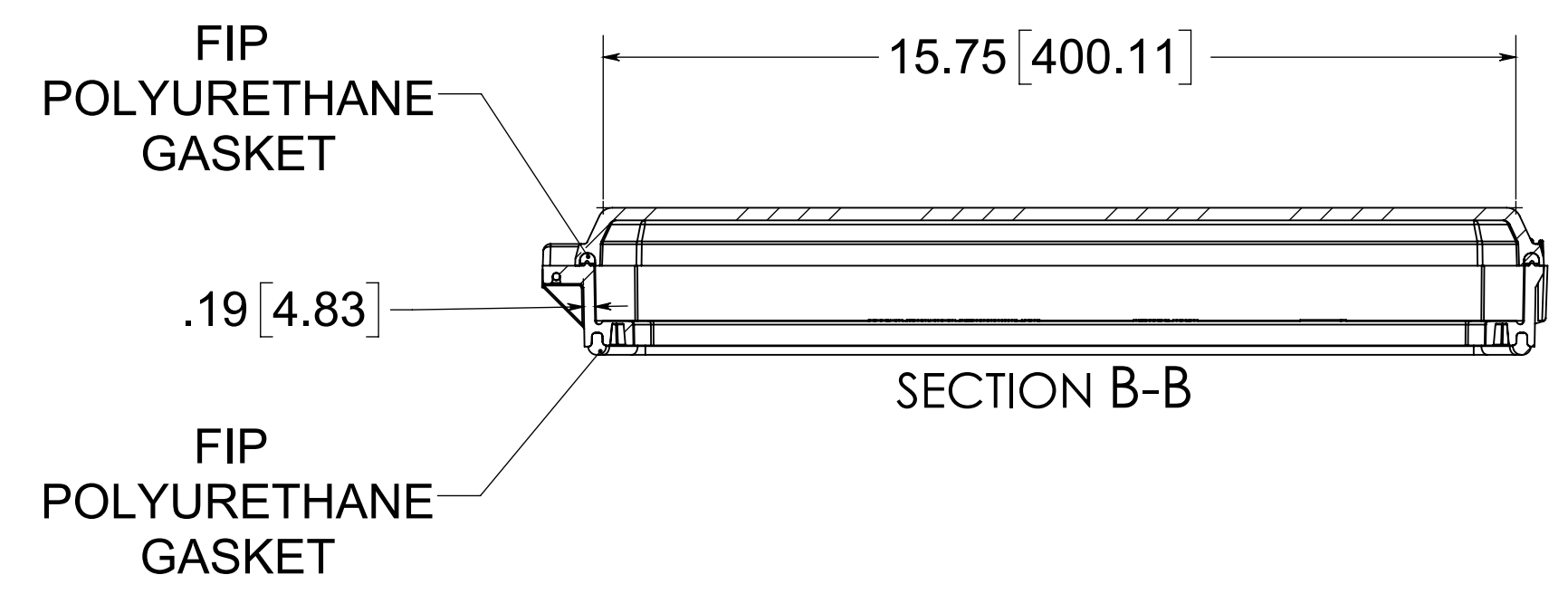


SECTION A-A

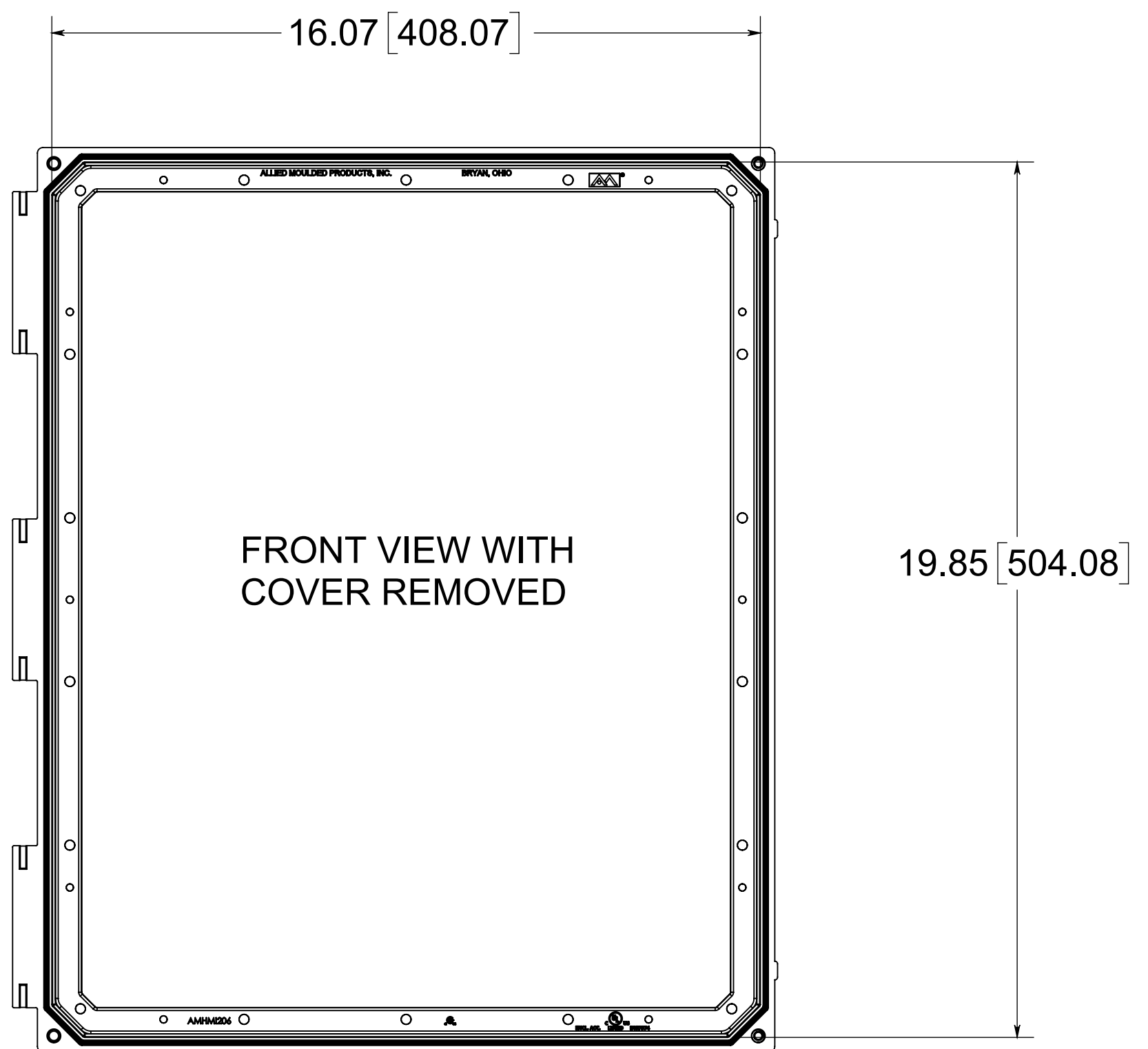


OPENING SIZE HMI206

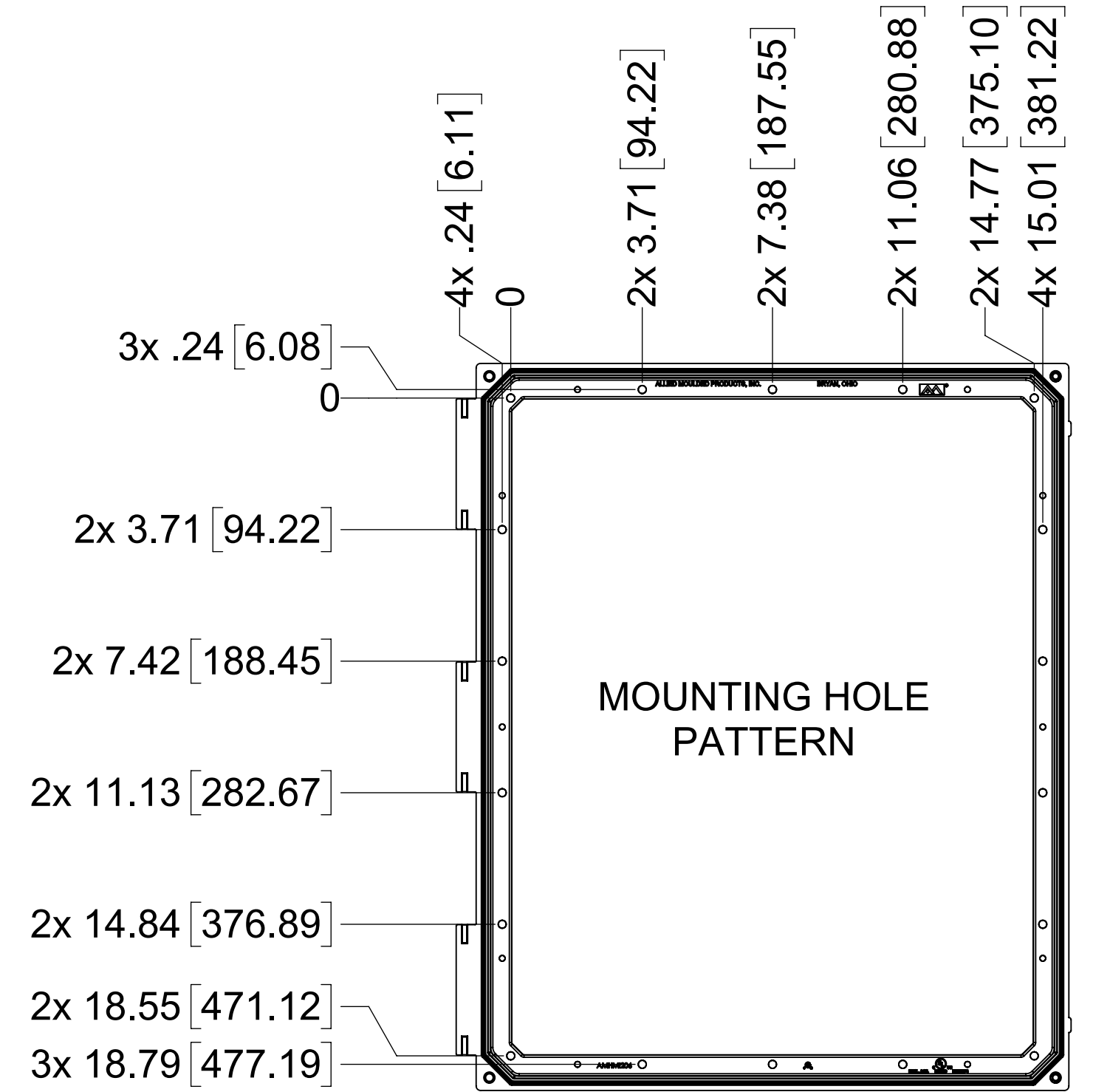
.321 X 45° TYP. (4X)



SECTION B-B



FRONT VIEW WITH COVER REMOVED



MOUNTING HOLE PATTERN

**MATERIAL:**  
 BOX - INJECTED POLYCARBONATE  
 STANDARD COVER - INJECTED POLYCARBONATE  
 CLEAR COVER - INJECTED POLYCARBONATE

**NOTES:**  
 1. DATA SUBJECT TO CHANGE WITHOUT NOTICE  
 2. WILL FIT ALLIED MOULDED ENCLOSURE SIZES 24 X 24 AND LARGER

**CONFIDENTIAL**  
 THIS MATERIAL IS OWNED BY THE ALLIED MOULDED PRODUCTS COMPANY, IS DISCLOSED IN CONFIDENCE, AND IS NOT TO BE REPRODUCED OR DISTRIBUTED WITHOUT PRIOR WRITTEN PERMISSION FROM ALLIED MOULDED PRODUCTS.  
 © 2017 Allied Moulded Products, Inc. All Rights Reserved

ALLIED MOULDED PRODUCTS  
 BRYAN, OHIO  
 The Original Fiber Glass Outlet Box

Access-Indus  
 Part No. AMHMI206CCH