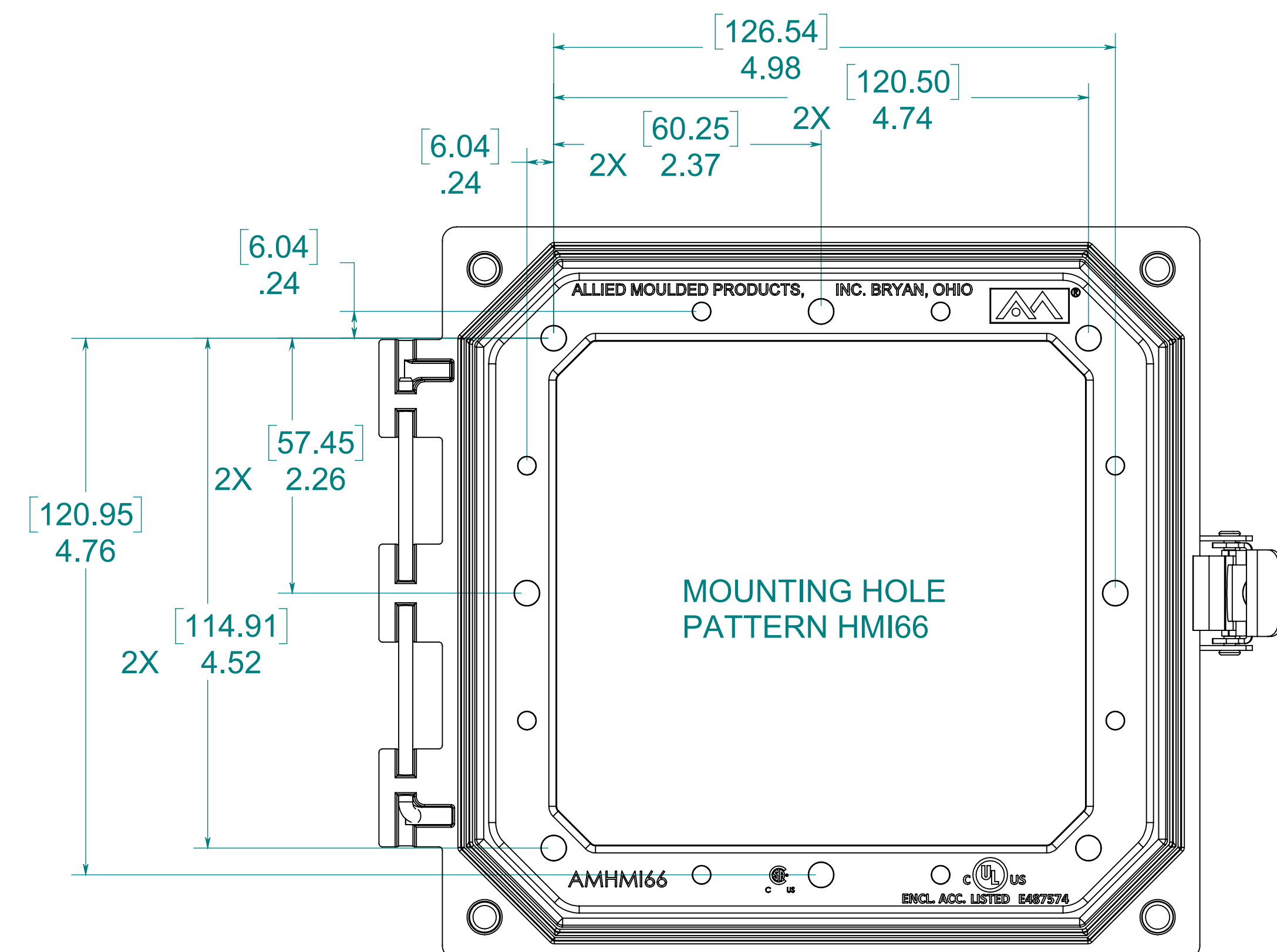
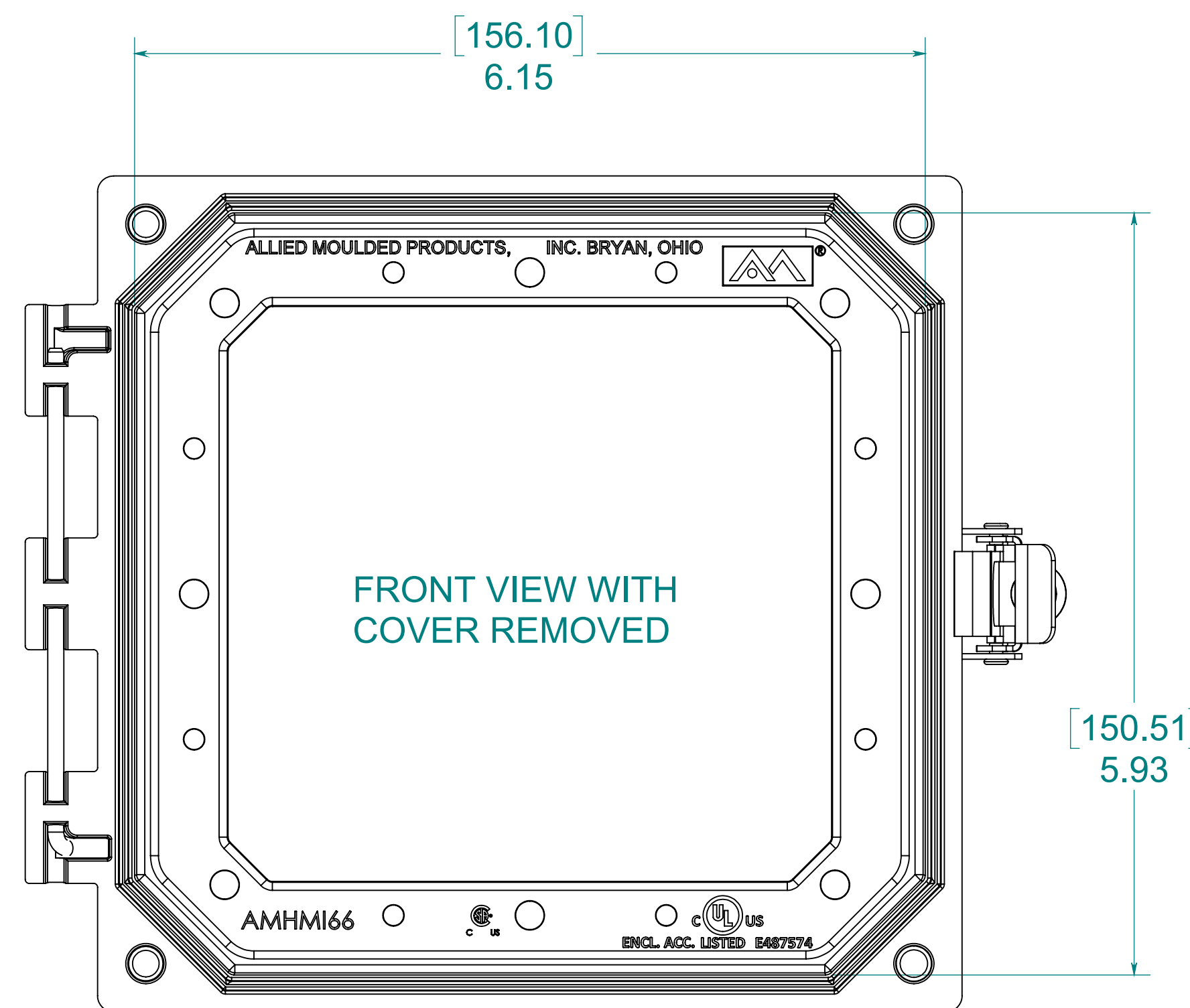
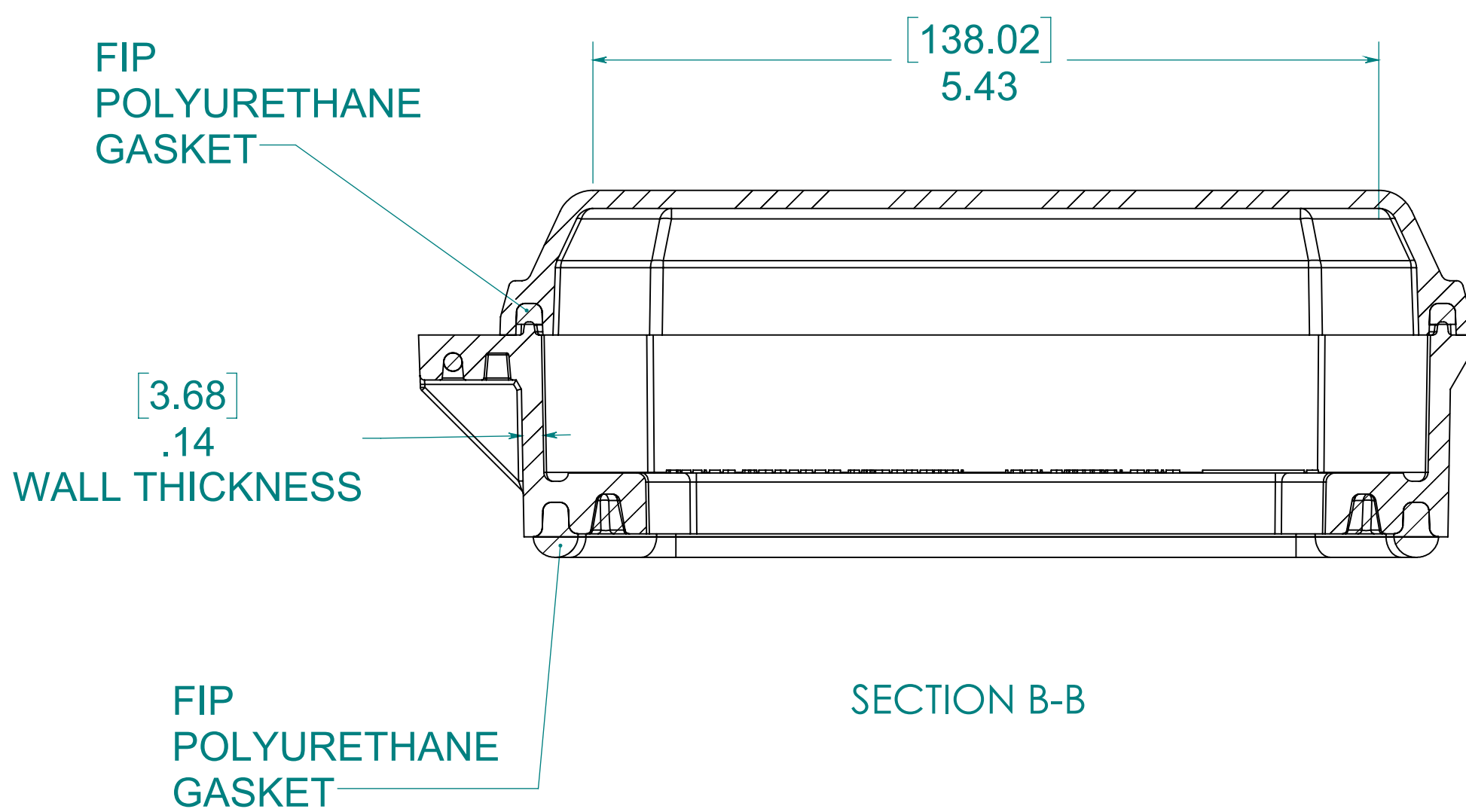
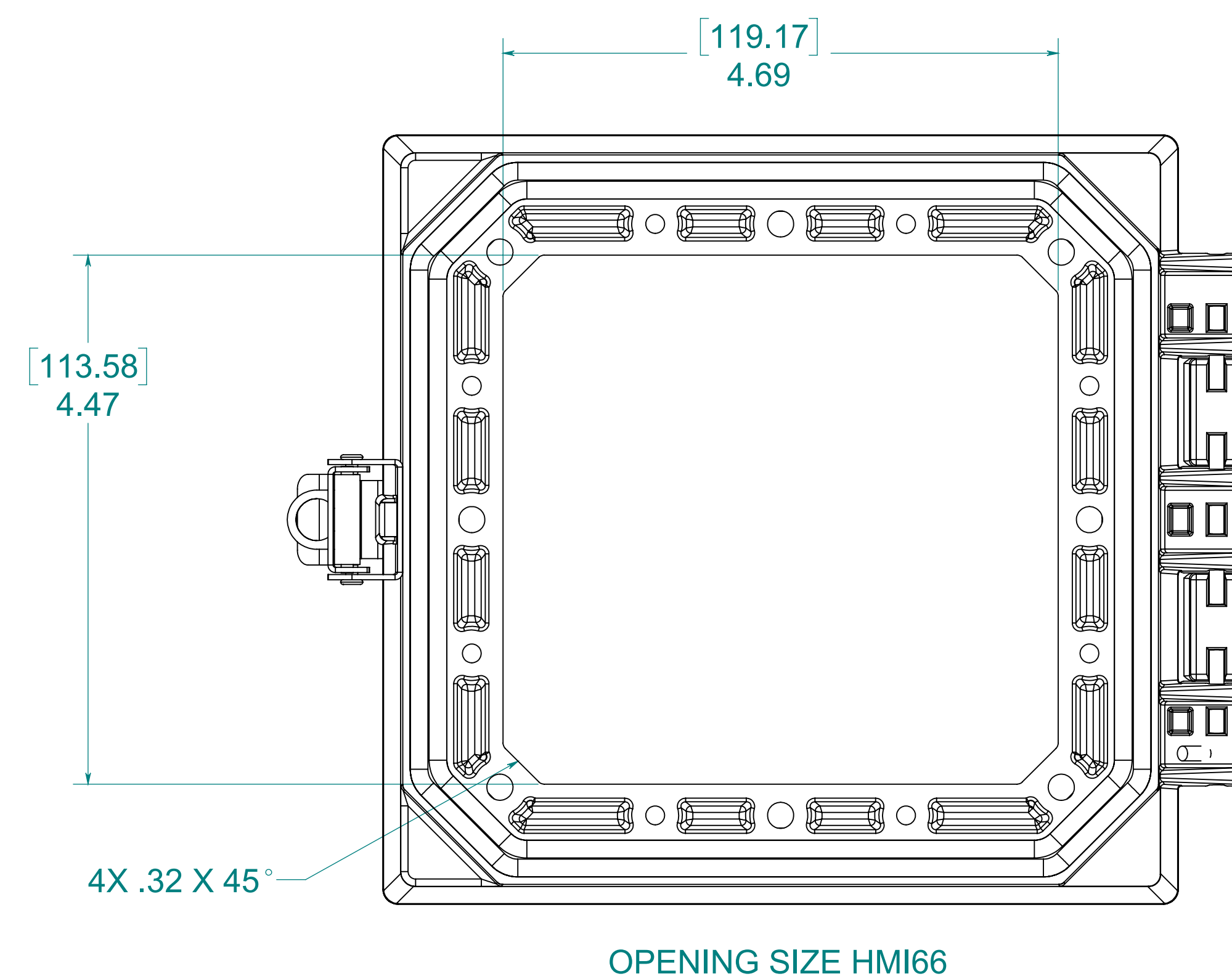
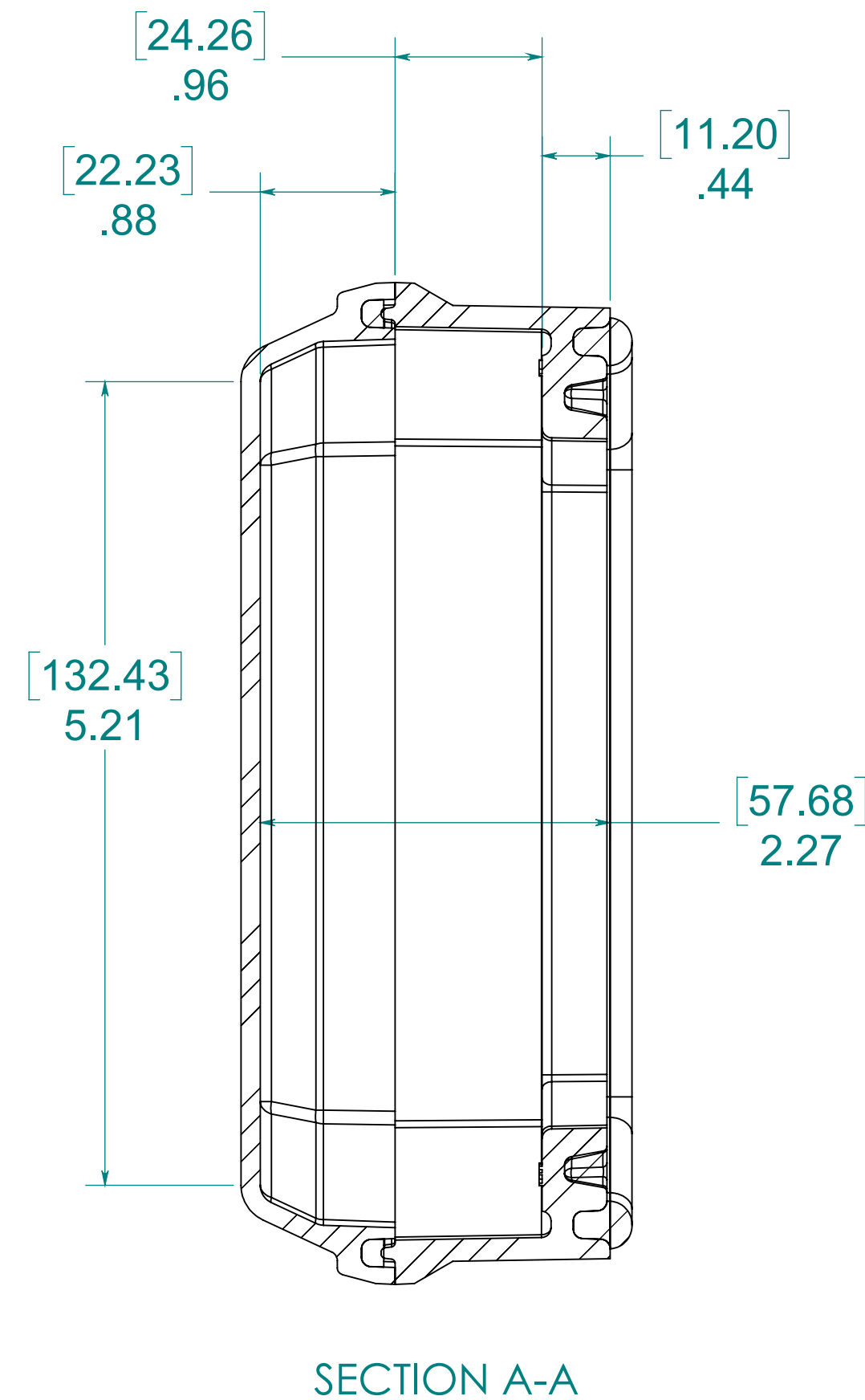
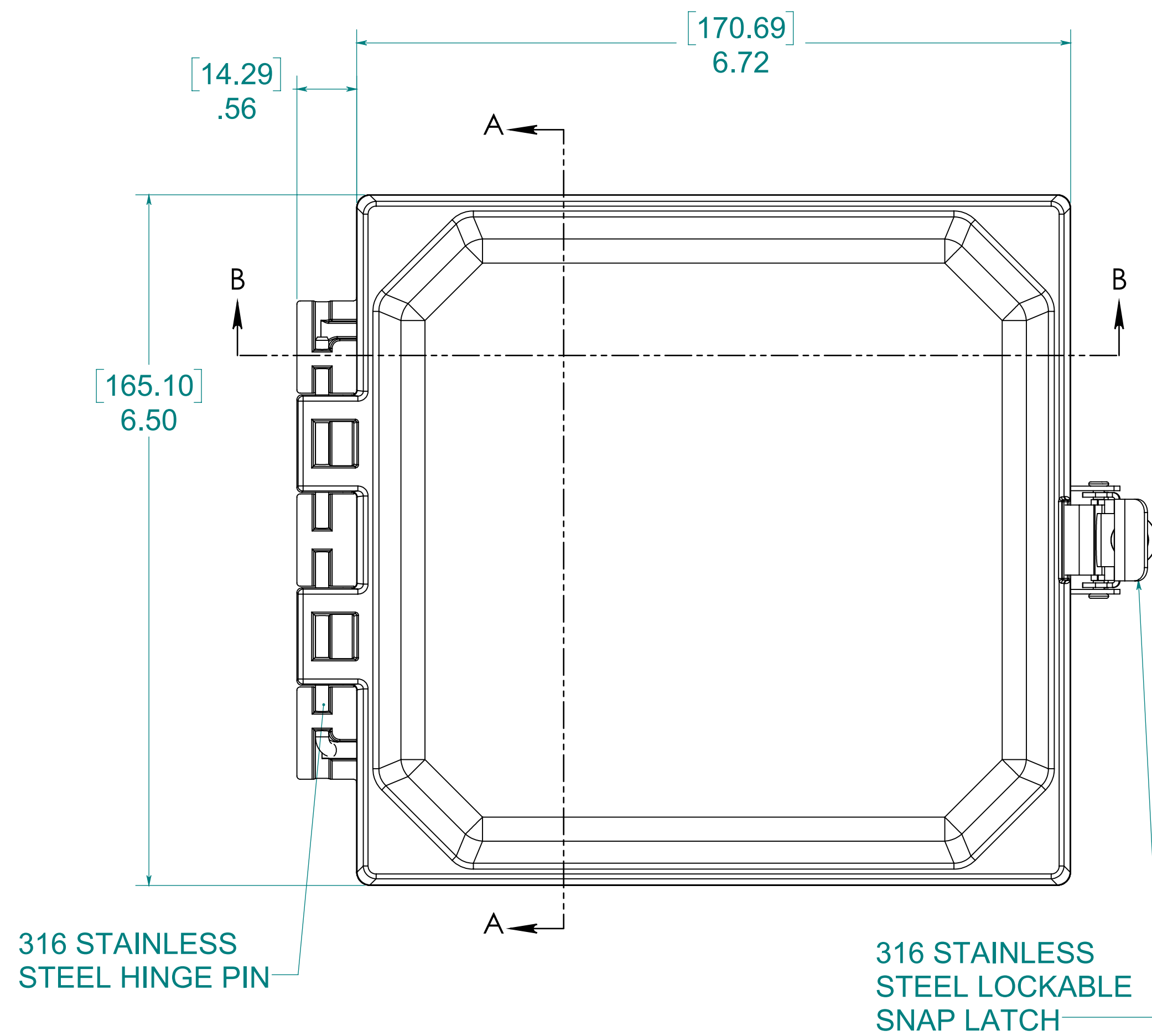


Date	Rev	Description	ECN No.	ISSUE DATE	DR	CK	REL
08/09/2019		INITIAL RELEASE	ECN-329		DJL	LJS	GEL
-	-	-	-	-	-	-	-
-	-	-	-	-	-	-	-



MATERIAL:
 FRAME- INJECTED POLYCARBONATE
 STANDARD COVER- INJECTED POLYCARBONATE
 CLEAR COVER- INJECTED POLYCARBONATE

- NOTE:
 1. DATA SUBJECT TO CHANGE WITHOUT NOTICE
 2. WILL FIT ALLIED MOULDED ENCLOSURES SIZE 8X8 AND LARGER

ALLIED MOULDED PRODUCTS
 BRYAN, OHIO
 The Original Fiber Glass Outlet Box

Access-Indus
 AMHMI66L

© 2018 Allied Moulded Products, Inc.
 All Rights Reserved