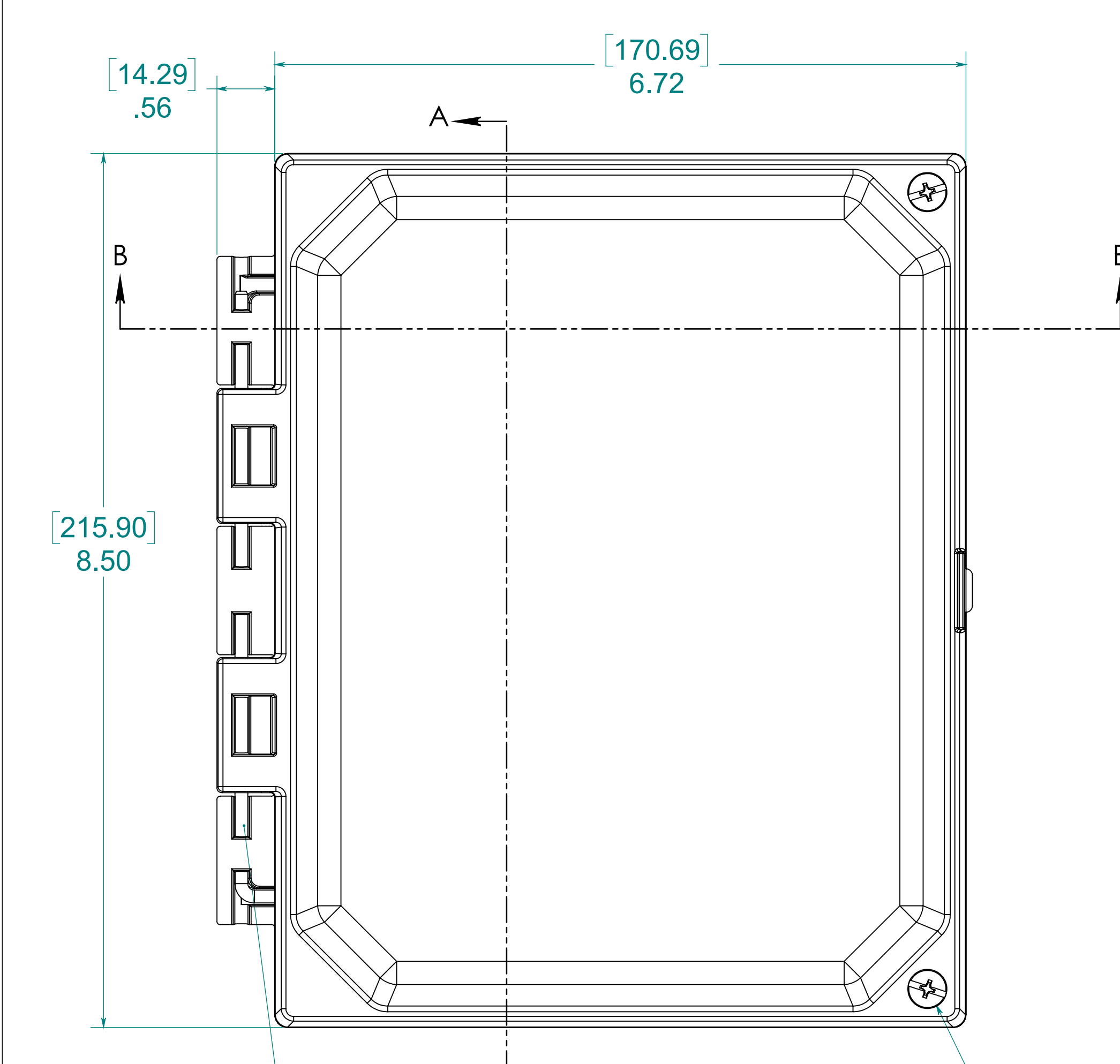
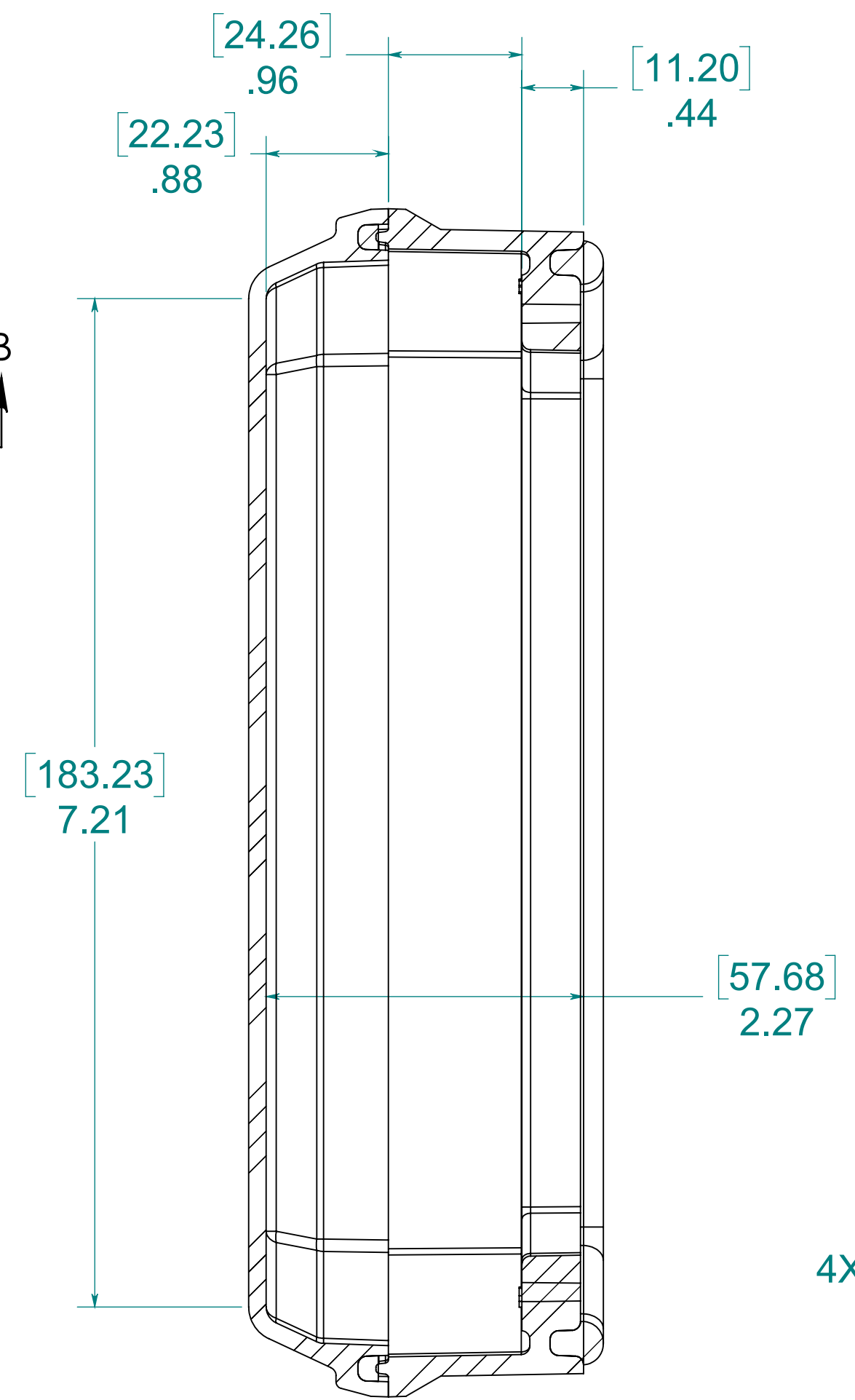


Date	Rev	Description	ECN No.	ISSUE DATE	CK	REL
08/09/2019	-	INITIAL RELEASE	ECN-330	DJL	LJS	GEL
-	-	-	-	-	-	-
-	-	-	-	-	-	-

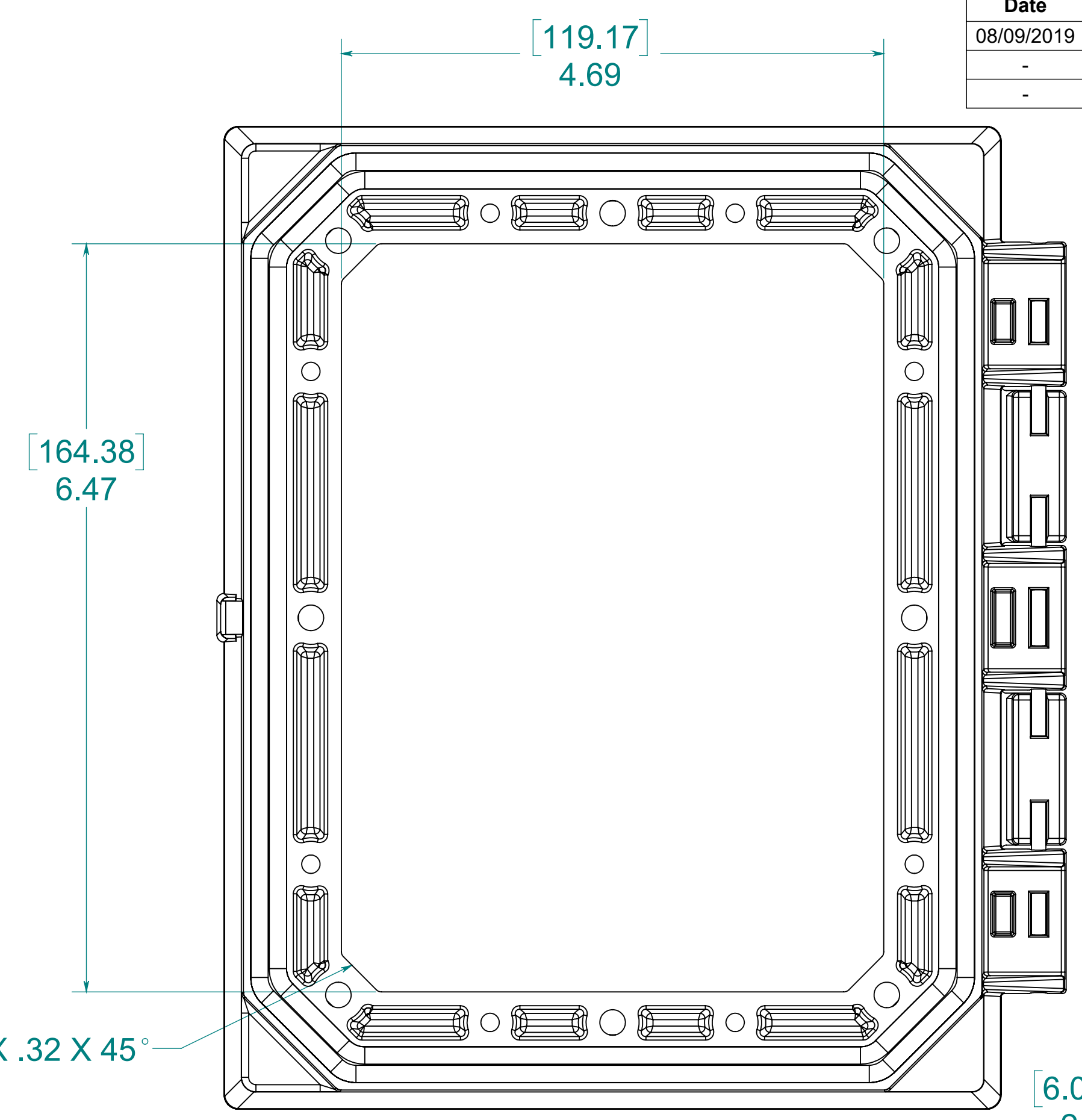


316 STAINLESS STEEL HINGE PIN

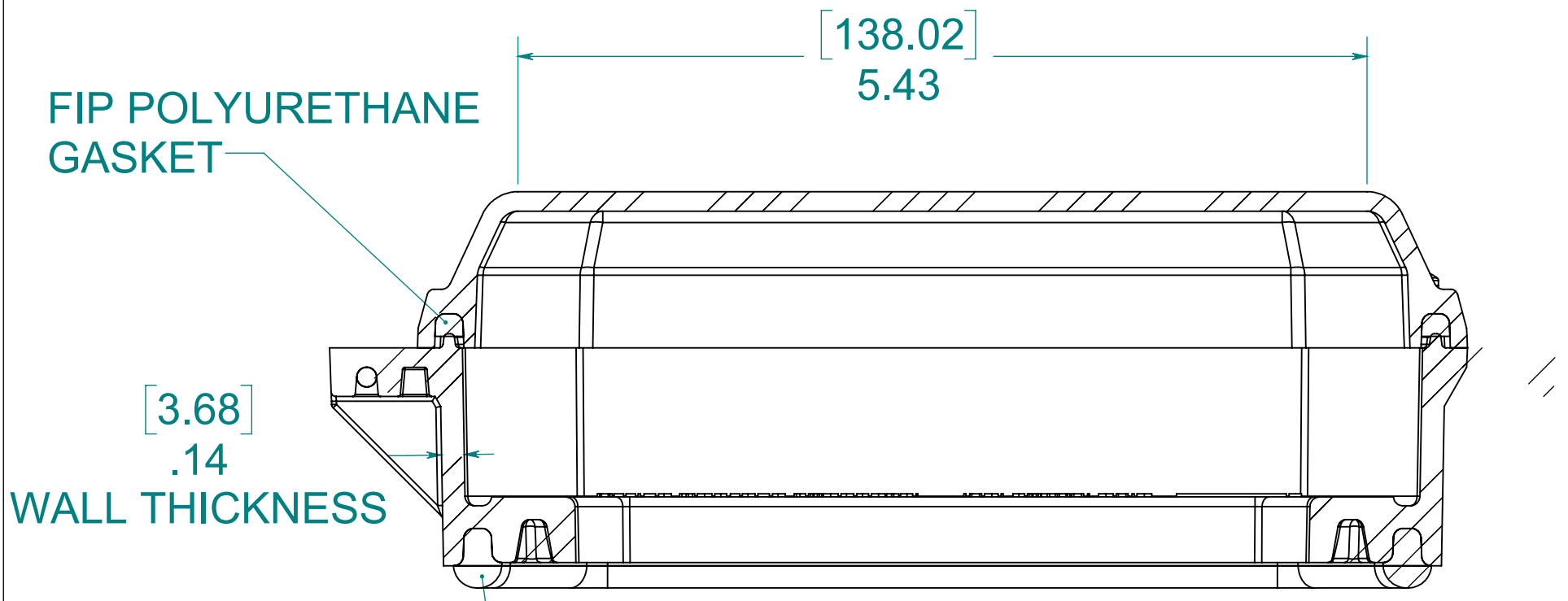
(2X) EACH #10-32 BRASS INSERTS AND 316 STAINLESS STEEL CAPTIVE COVER SCREWS



SECTION A-A

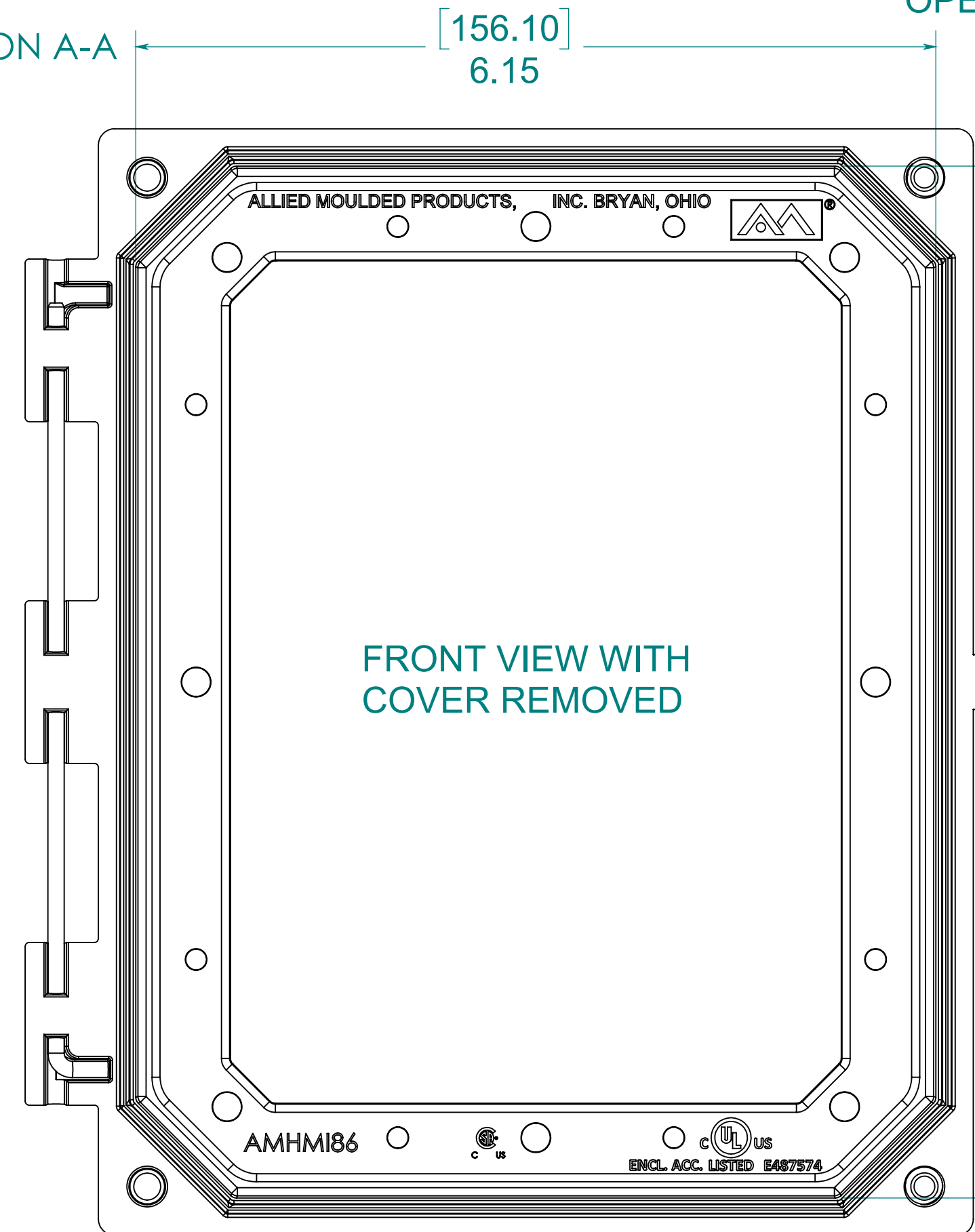


OPENING SIZE HMI86

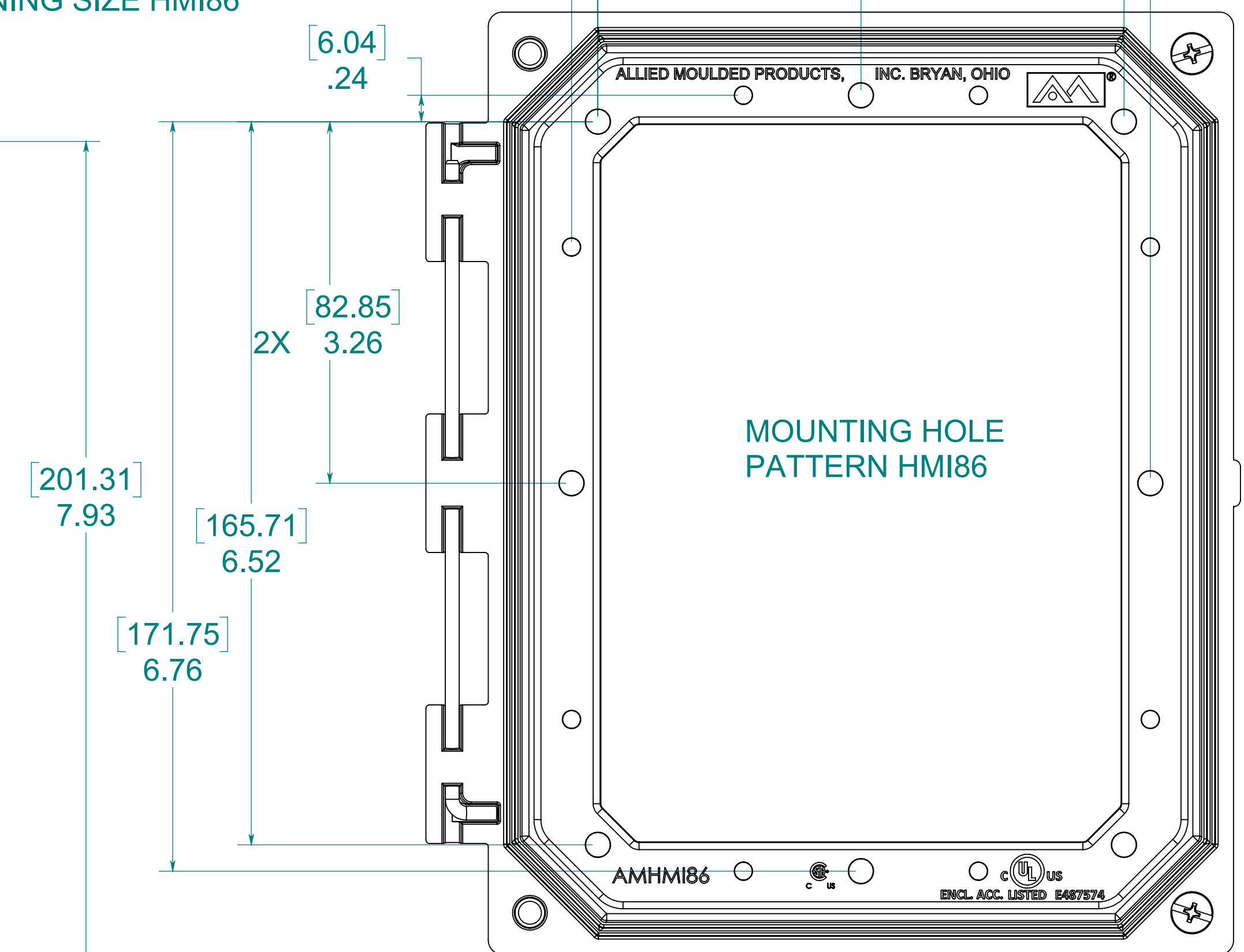


SECTION B-B

MATERIAL:
 FRAME- INJECTED POLYCARBONATE
 STANDARD COVER- INJECTED POLYCARBONATE
 CLEAR COVER- INJECTED POLYCARBONATE



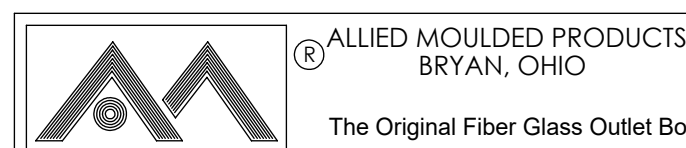
FRONT VIEW WITH COVER REMOVED



MOUNTING HOLE PATTERN HMI86

- NOTE:
1. DATA SUBJECT TO CHANGE WITHOUT NOTICE
 2. WILL FIT ALLIED MOULDED ENCLOSURES SIZE 10X8 AND LARGER

CONFIDENTIAL
 THIS MATERIAL IS OWNED BY THE ALLIED MOULDED PRODUCTS COMPANY, IS DISCLOSED IN CONFIDENCE, AND IS NOT TO BE REPRODUCED OR DISTRIBUTED WITHOUT PRIOR WRITTEN PERMISSION FROM ALLIED MOULDED PRODUCTS.
 © 2018 Allied Moulded Products, Inc. All Rights Reserved



Access-Indus
 AMHMI86H