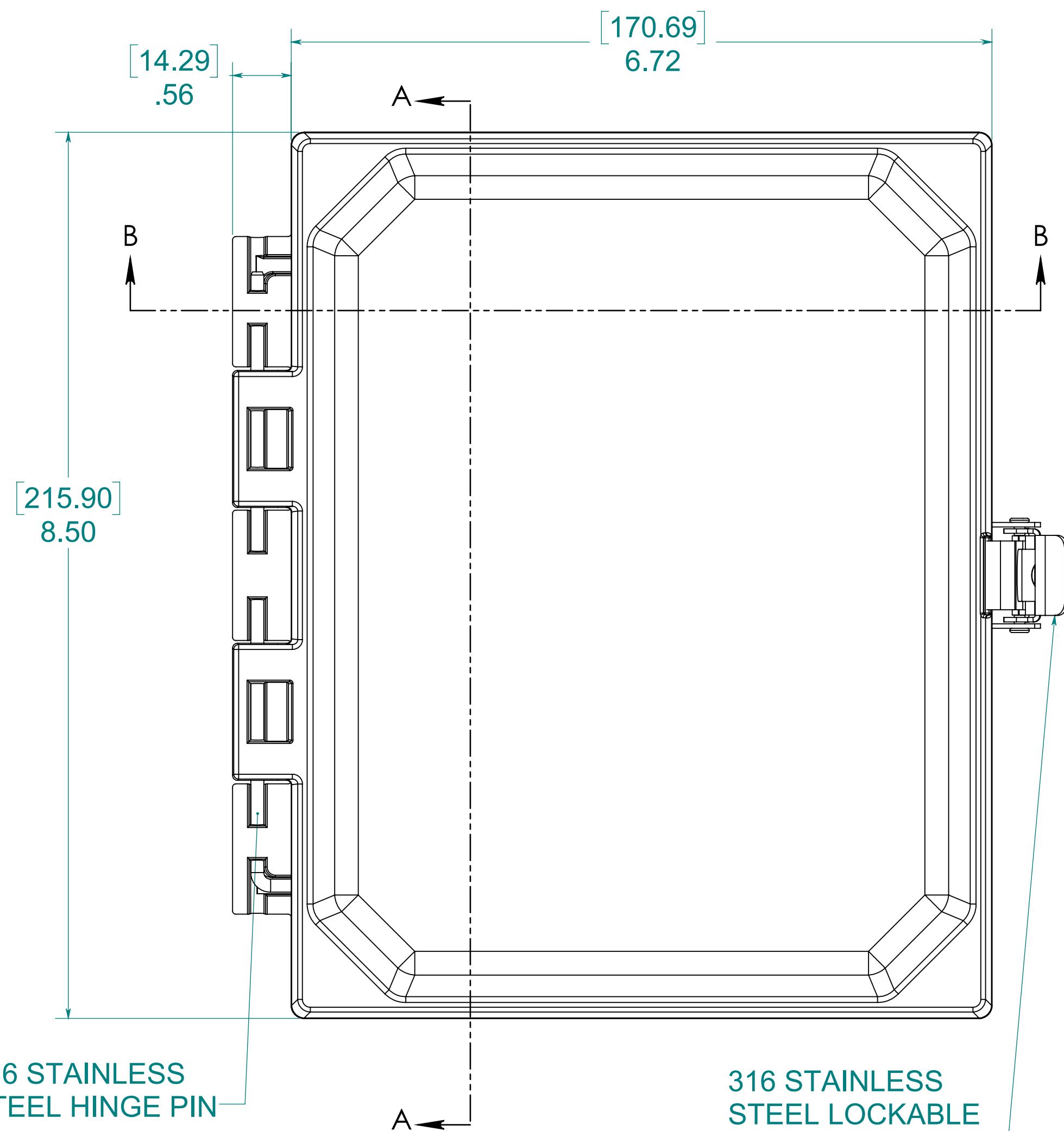
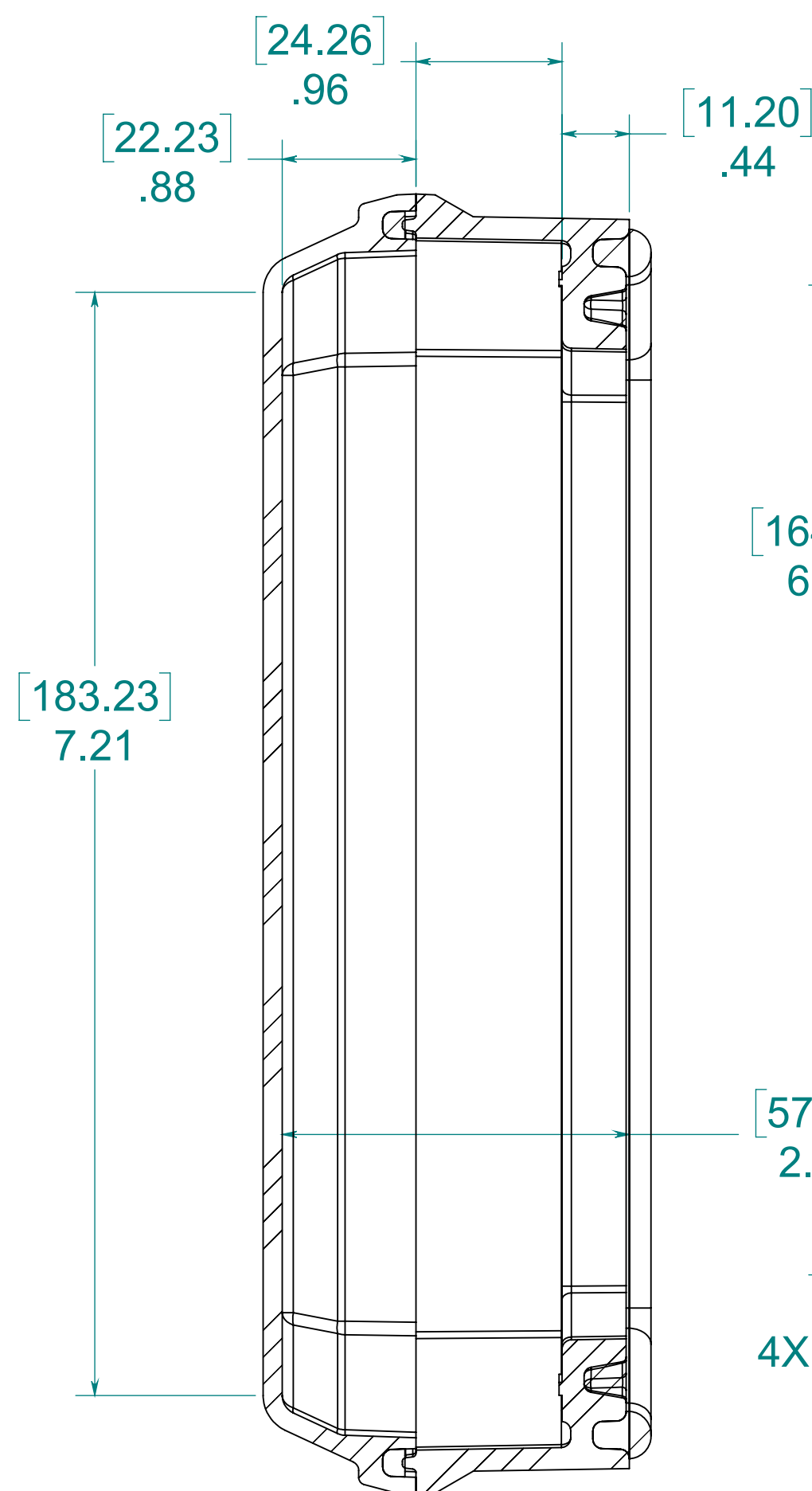


Date	Rev	Description	ECN No.	ISSUE DATE	CK	REL
08/09/2019		INITIAL RELEASE	ECN-330	DJL	LJS	GEL
-	-	-	-	-	-	-
-	-	-	-	-	-	-

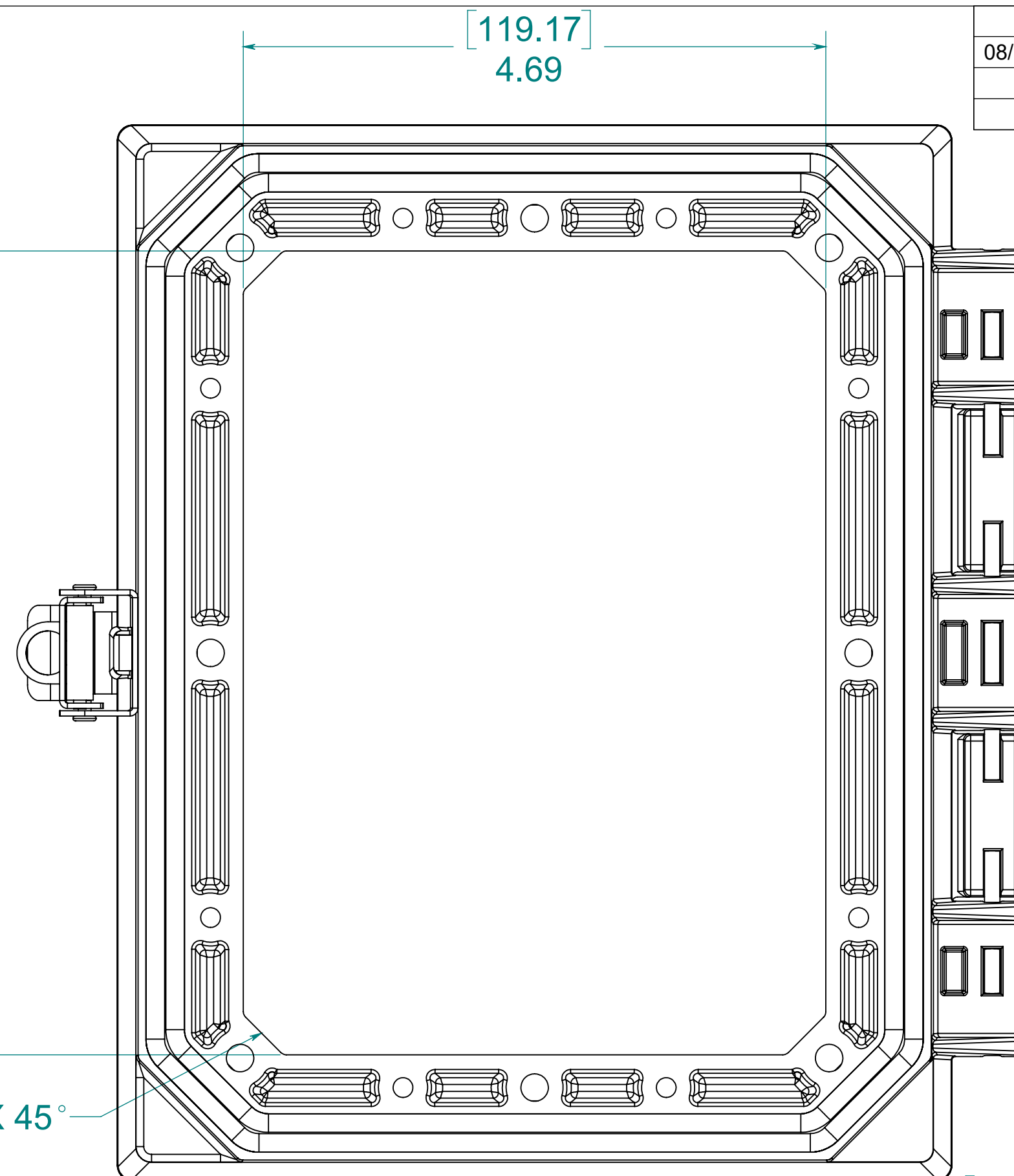


316 STAINLESS STEEL HINGE PIN

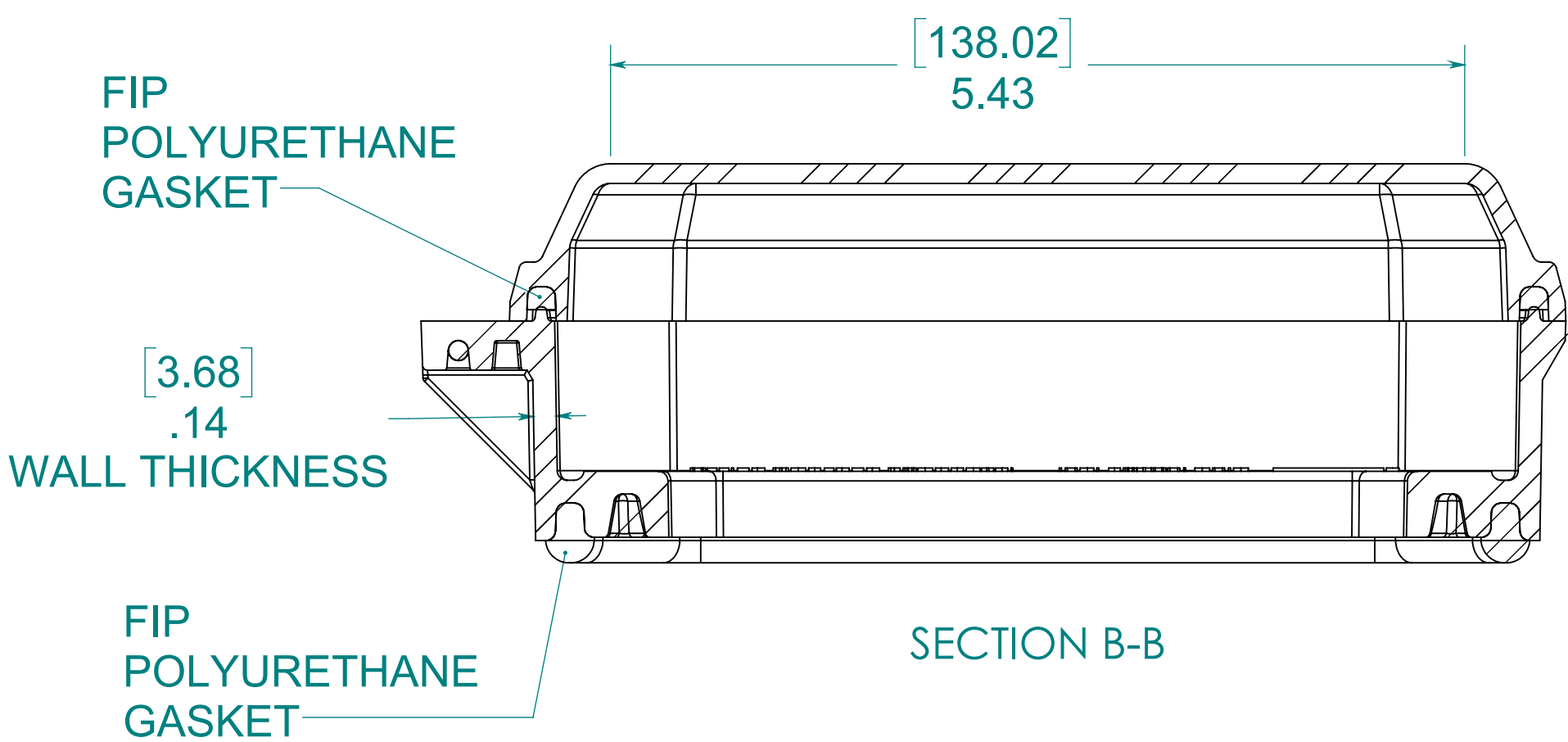
316 STAINLESS STEEL LOCKABLE SNAP LATCH



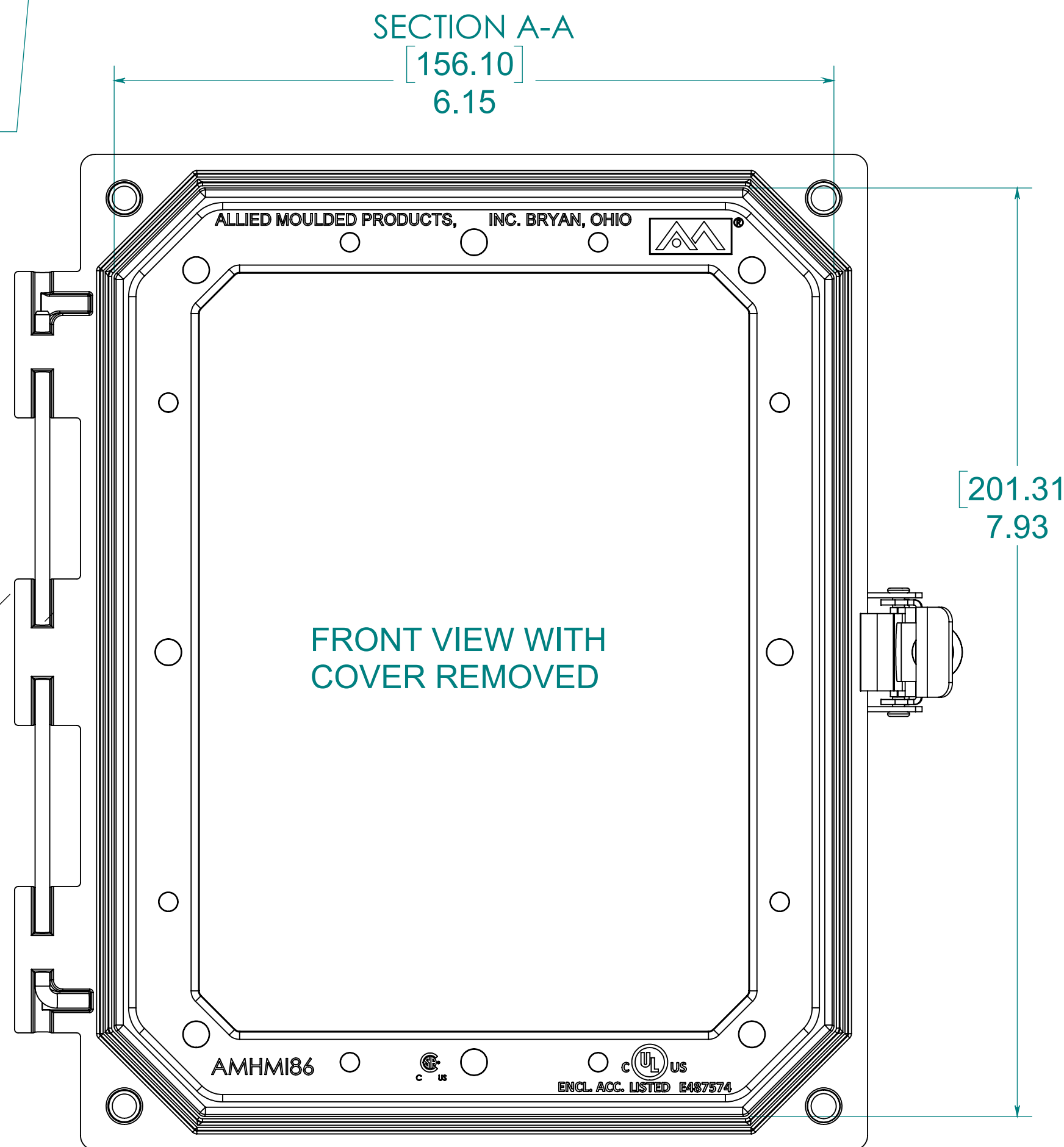
SECTION A-A



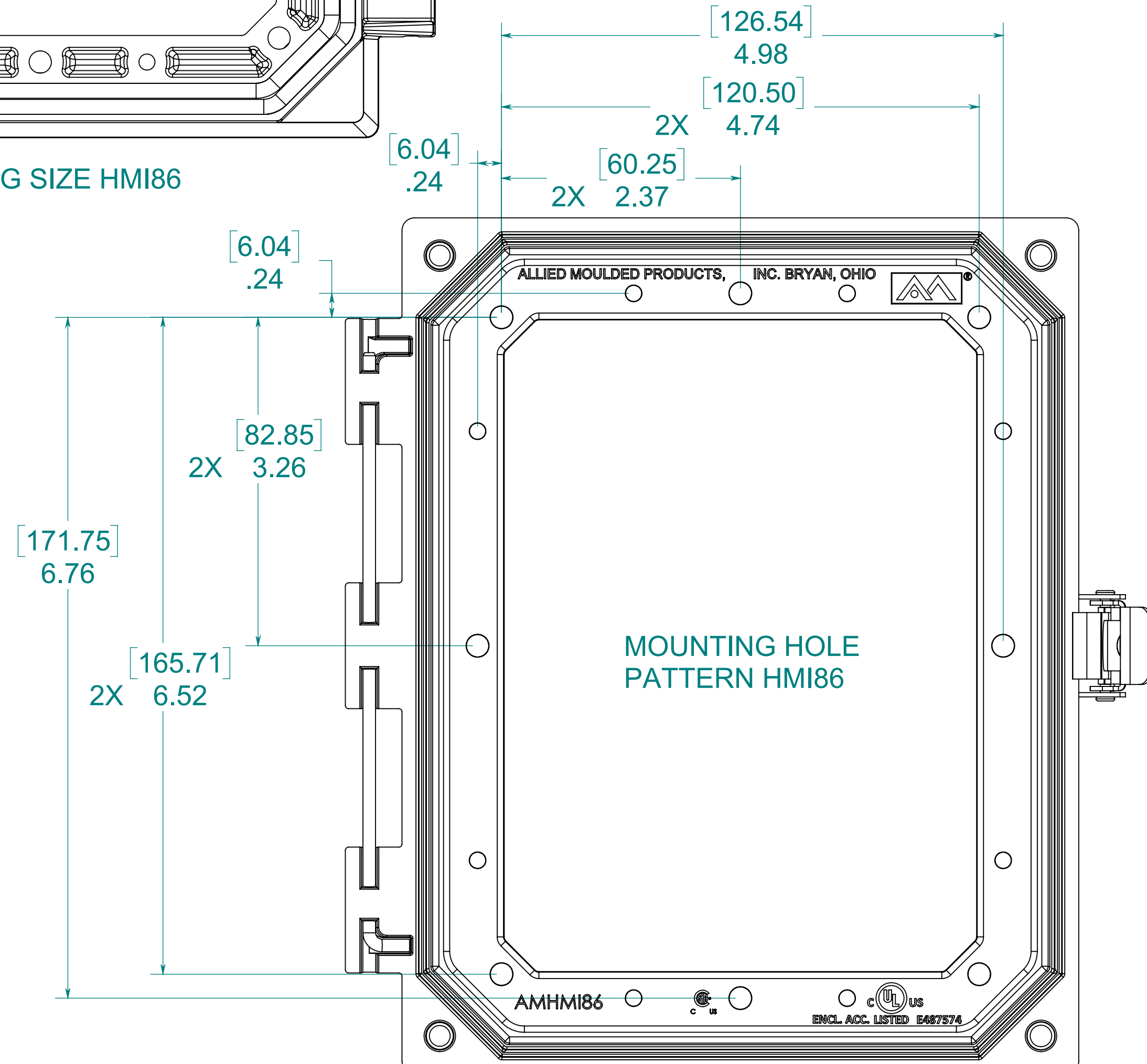
OPENING SIZE HMI86



SECTION B-B



FRONT VIEW WITH COVER REMOVED



MOUNTING HOLE PATTERN HMI86

MATERIAL:
 FRAME- INJECTED POLYCARBONATE
 STANDARD COVER- INJECTED POLYCARBONATE
 CLEAR COVER- INJECTED POLYCARBONATE

- NOTE:
 1. DATA SUBJECT TO CHANGE WITHOUT NOTICE
 2. WILL FIT ALLIED MOULDED ENCLOSURES SIZE 10X8 AND LARGER

CONFIDENTIAL
 THIS MATERIAL IS OWNED BY THE ALLIED MOULDED PRODUCTS COMPANY, IS DISCLOSED IN CONFIDENCE, AND IS NOT TO BE REPRODUCED OR DISTRIBUTED WITHOUT PRIOR WRITTEN PERMISSION FROM ALLIED MOULDED PRODUCTS.
 © 2018 Allied Moulded Products, Inc. All Rights Reserved

ALLIED MOULDED PRODUCTS, INC. BRYAN, OHIO
 The Original Fiber Glass Outlet Box

Access-Indus
 AMHM186L