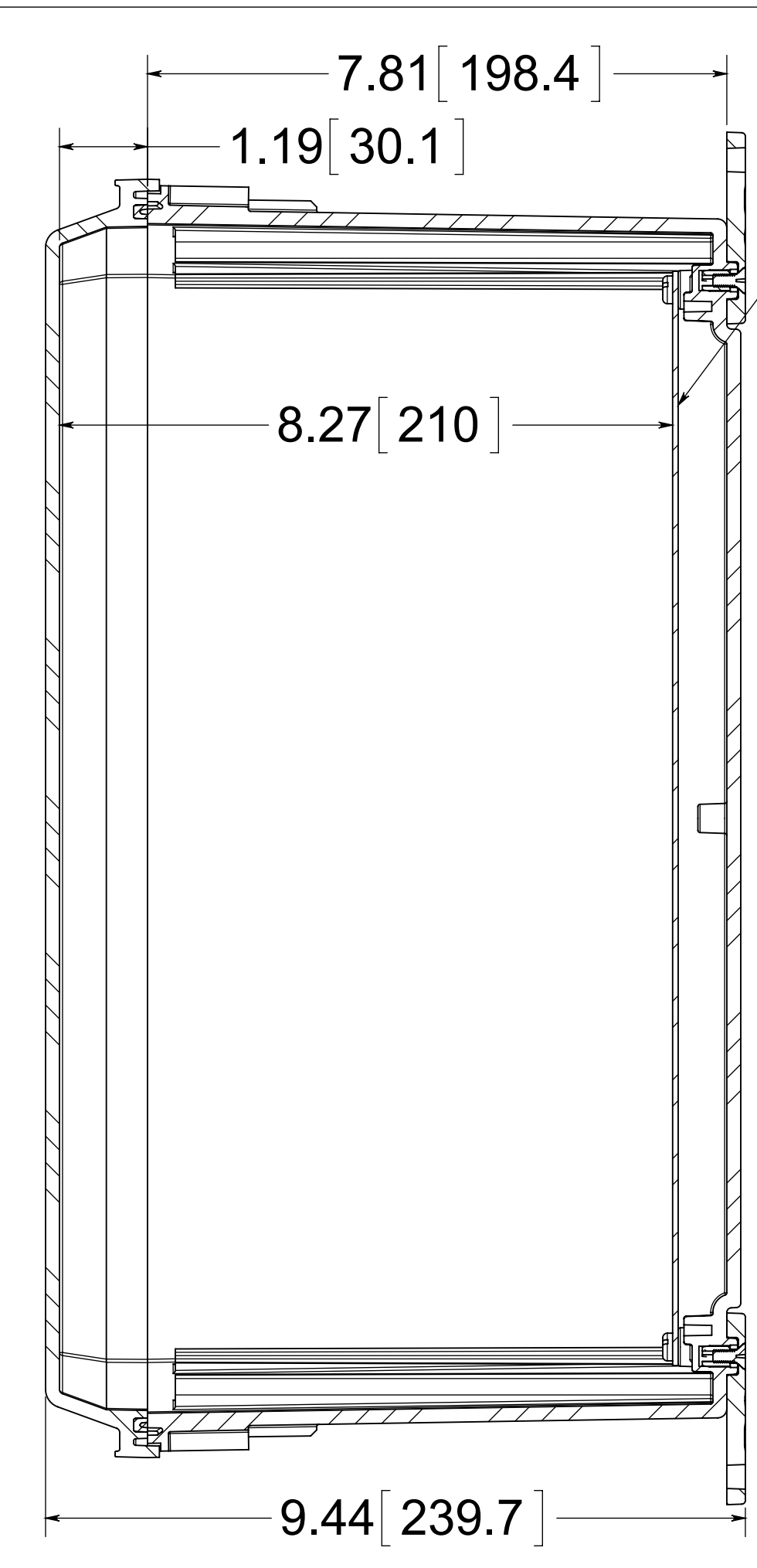
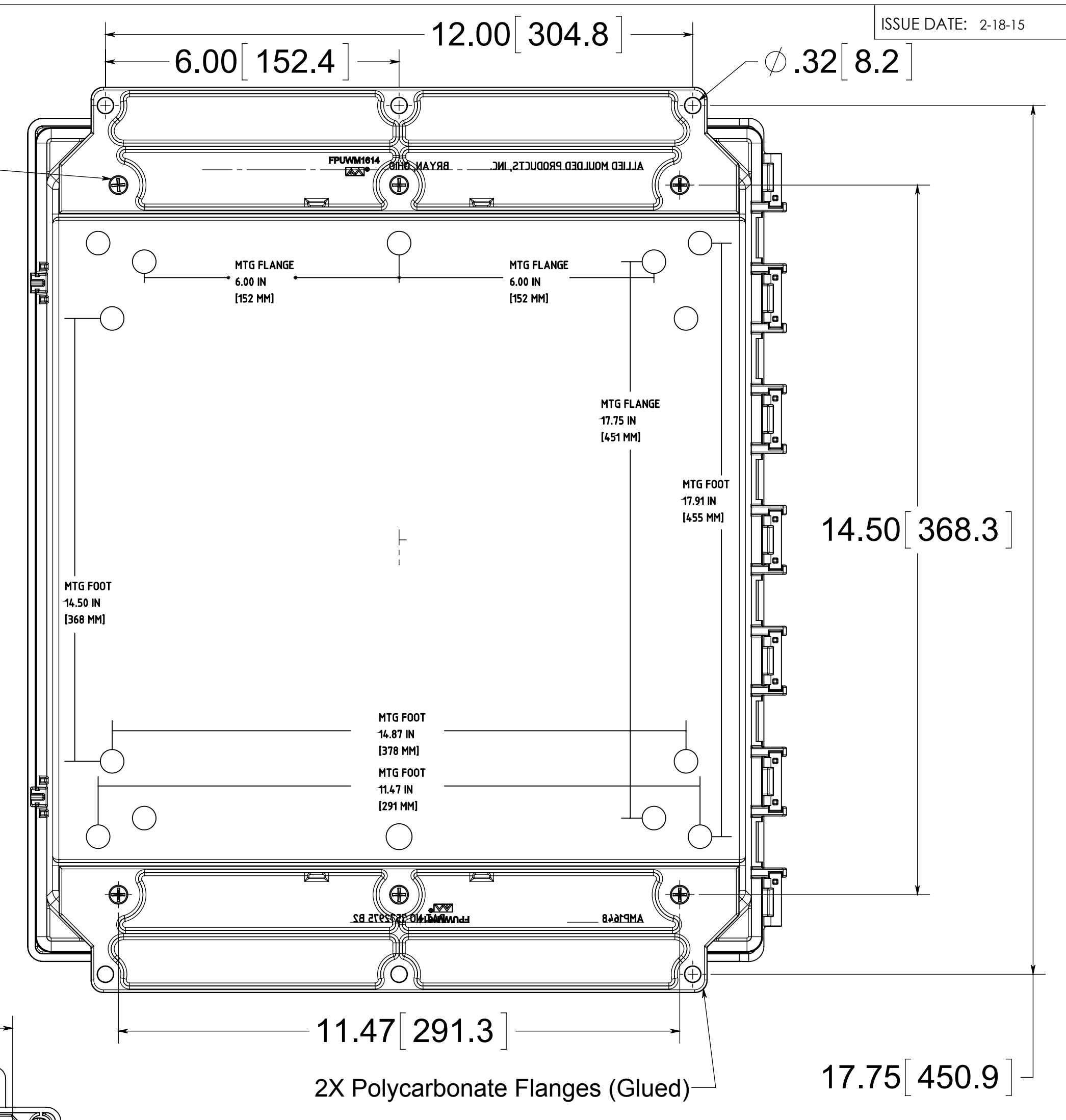


4X #10-32 Brass Inserts and Stainless Steel Captive Cover Screw

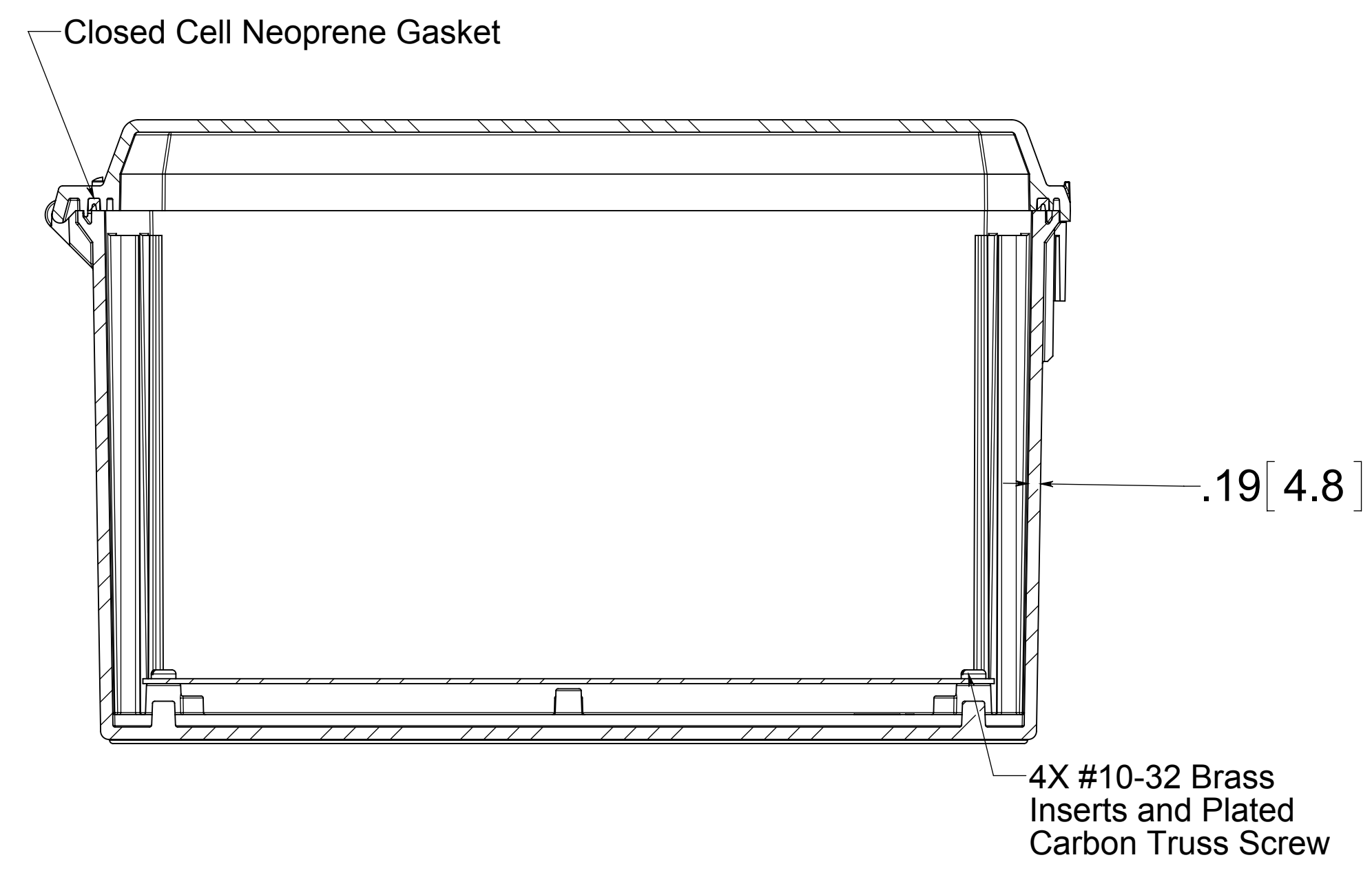


Optional Back Panel Shown
0.100 [2.54mm] Aluminum
0.075 [1.91mm] White Steel
4X #10-32 Brass Inserts, Stainless Steel Flange and Feet Screws



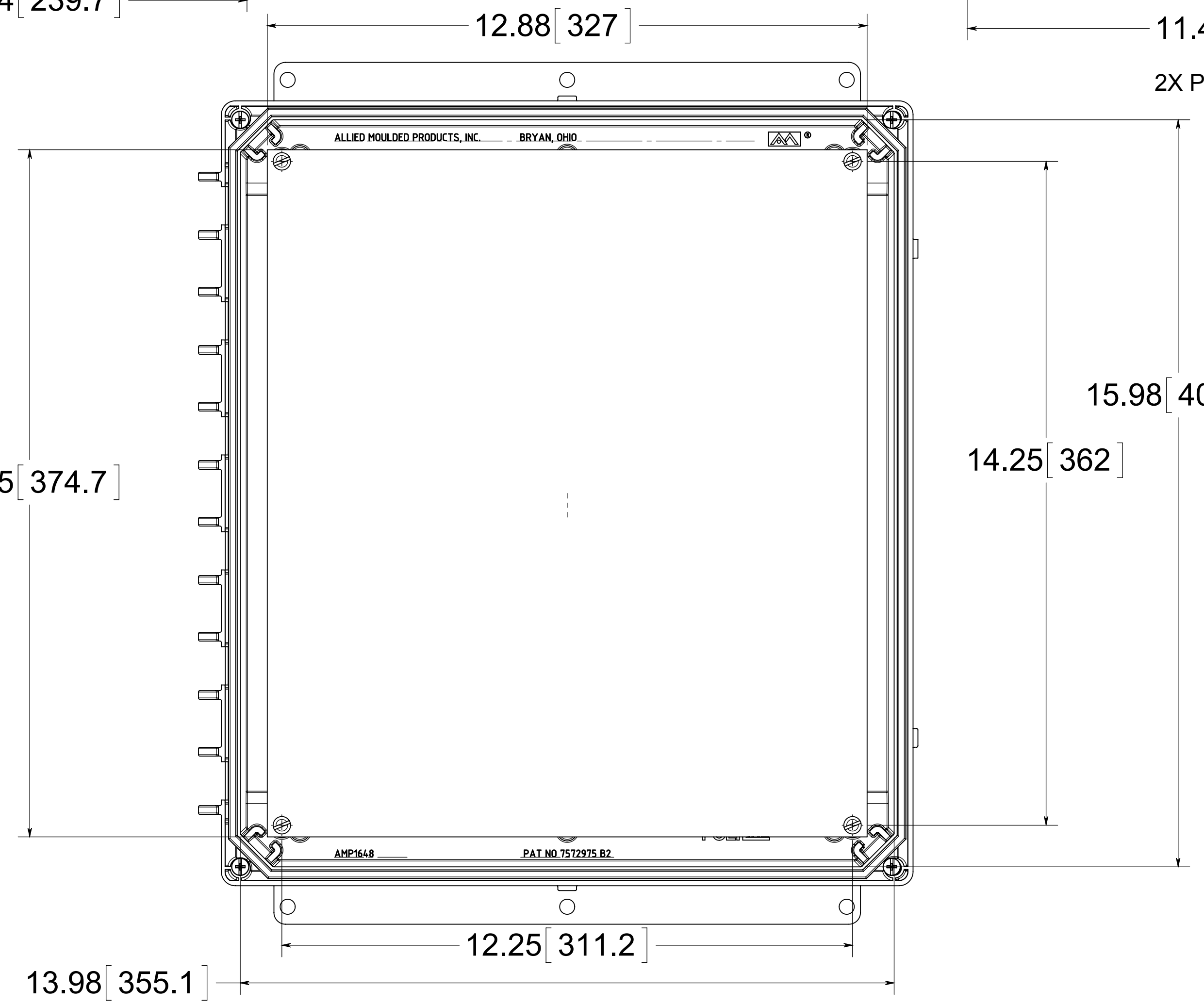
Front View
With Cover Removed
and Back Panel Shown

2X Polycarbonate Flanges (Glued)




Closed Cell Neoprene Gasket

4X #10-32 Brass Inserts and Plated Carbon Truss Screw



Material:
Box - Injected Polycarbonate
Standard Cover - Injected Polycarbonate
Clear Cover - Injected Polycarbonate

CONFIDENTIAL
THIS MATERIAL IS OWNED BY THE ALLIED MOULDED PRODUCTS COMPANY, IS DISCLOSED IN CONFIDENCE, AND IS NOT TO BE REPRODUCED OR DISTRIBUTED WITHOUT PRIOR WRITTEN PERMISSION FROM ALLIED MOULDED PRODUCTS.


 ALLIED MOULDED PRODUCTS
 BRYAN, OHIO
 The Original Fiber Glass Outlet Box
 Description
AMP Polyline
 Part No.
AMP1648CCF