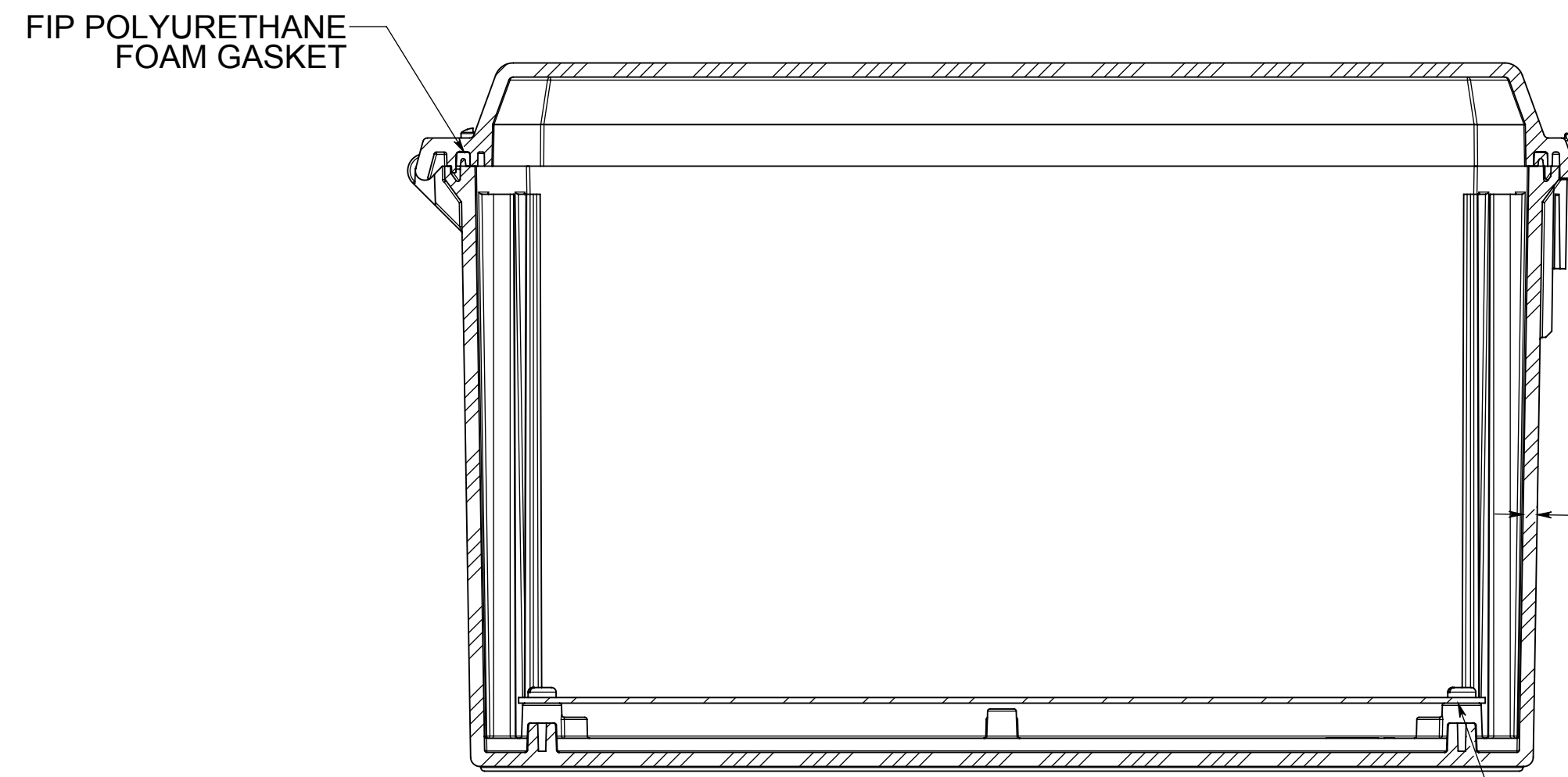
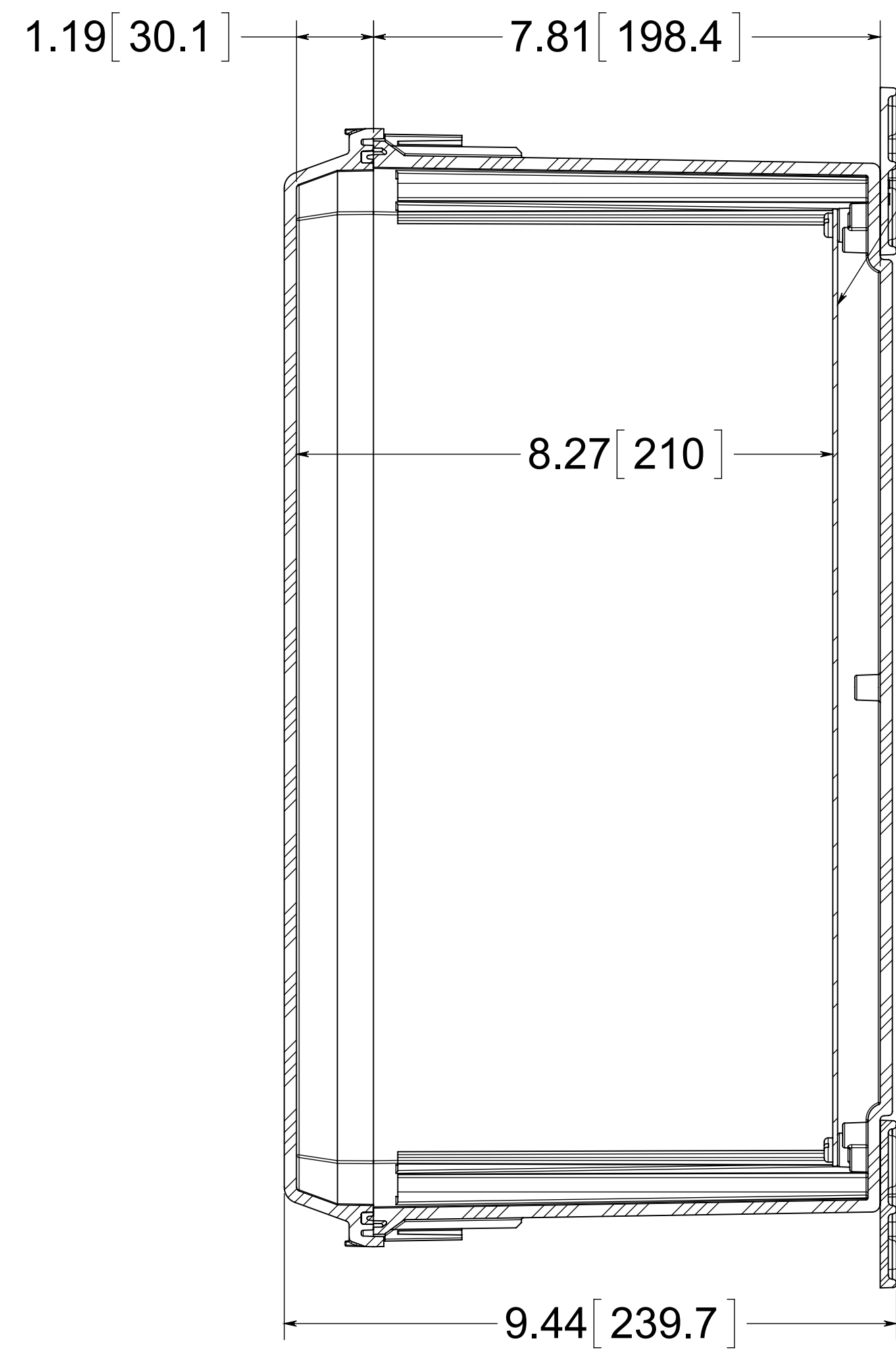


(4) EACH #10-32 BRASS INSERTS AND STAINLESS STEEL CAPTIVE COVER SCREWS WITH RETAINING O-RING

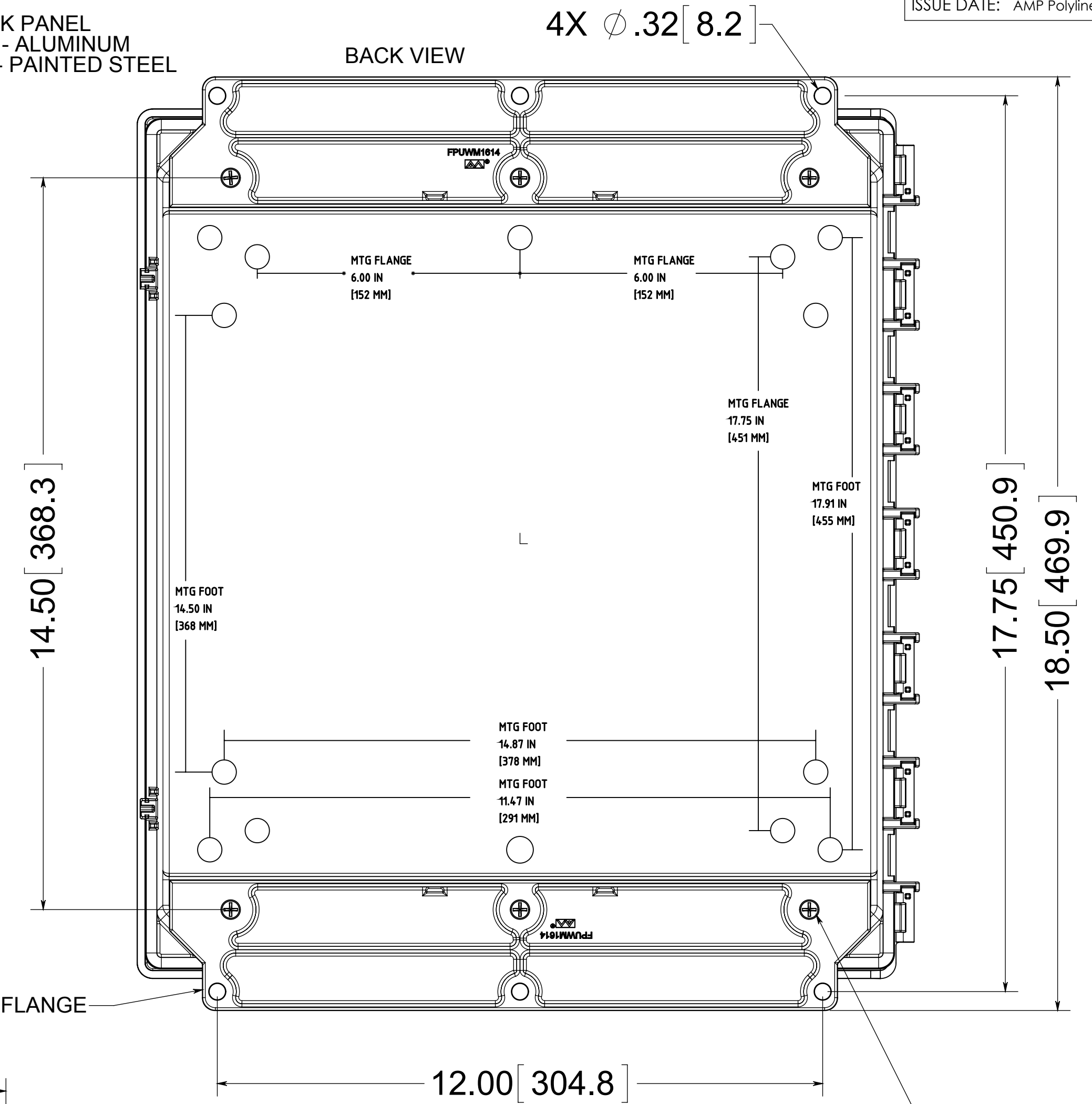


(4) EACH #10-32 BRASS INSERTS PLATED CARBON STEEL SCREWS TO RETAIN BACK PANEL

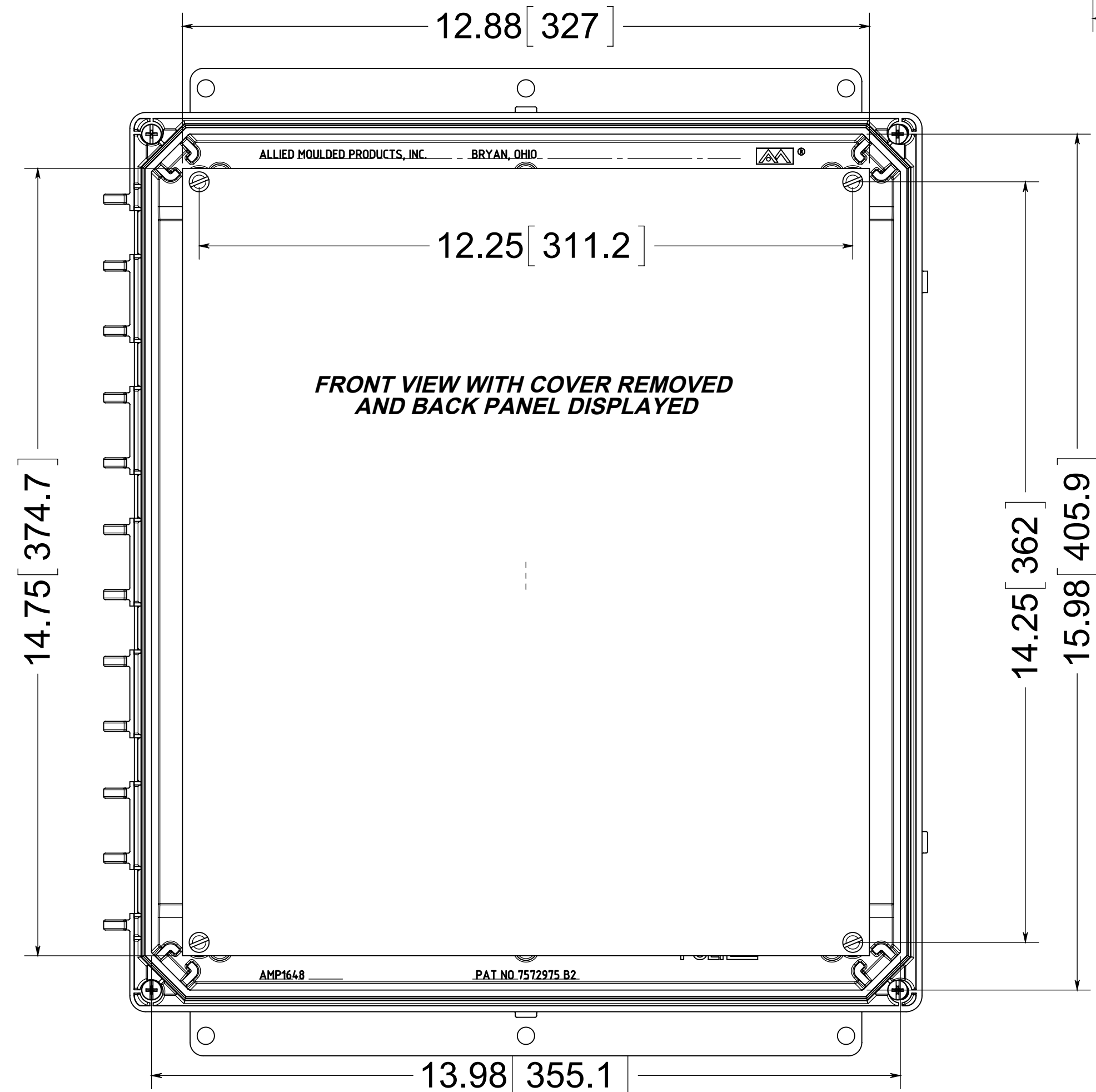


OPTIONAL BACK PANEL
.100[2.54] TH'K. - ALUMINUM
.075[1.91] TH'K. - PAINTED STEEL

(2) POLYCARBONATE FLANGE



(4) EACH #10-32 BRASS INSERTS AND STAINLESS STEEL FLANGE AND FEET SCREWS



MATERIAL:
BOX: INJECTION MOLDED POLYCARBONATE
STANDARD COVER: INJECTION MOLDED POLYCARBONATE
CLEAR COVER: INJECTION MOLDED POLYCARBONATE



Description
AMP Polyline

Part No.
AMP1648F

CONFIDENTIAL
THIS MATERIAL IS OWNED BY THE ALLIED MOULDED PRODUCTS COMPANY, IS DISCLOSED IN CONFIDENCE, AND IS NOT TO BE REPRODUCED OR DISTRIBUTED WITHOUT PRIOR WRITTEN PERMISSION FROM ALLIED MOULDED PRODUCTS.