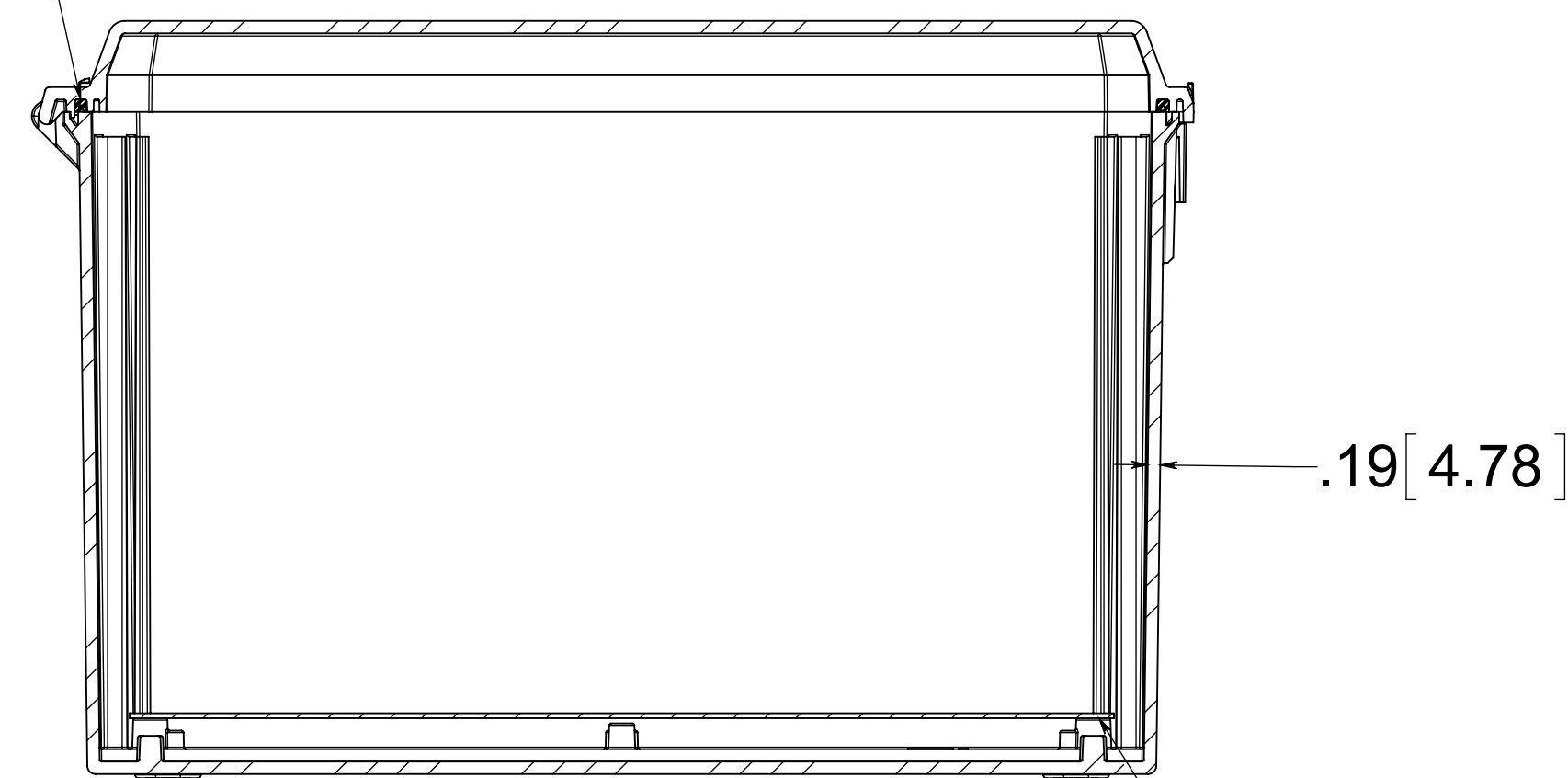
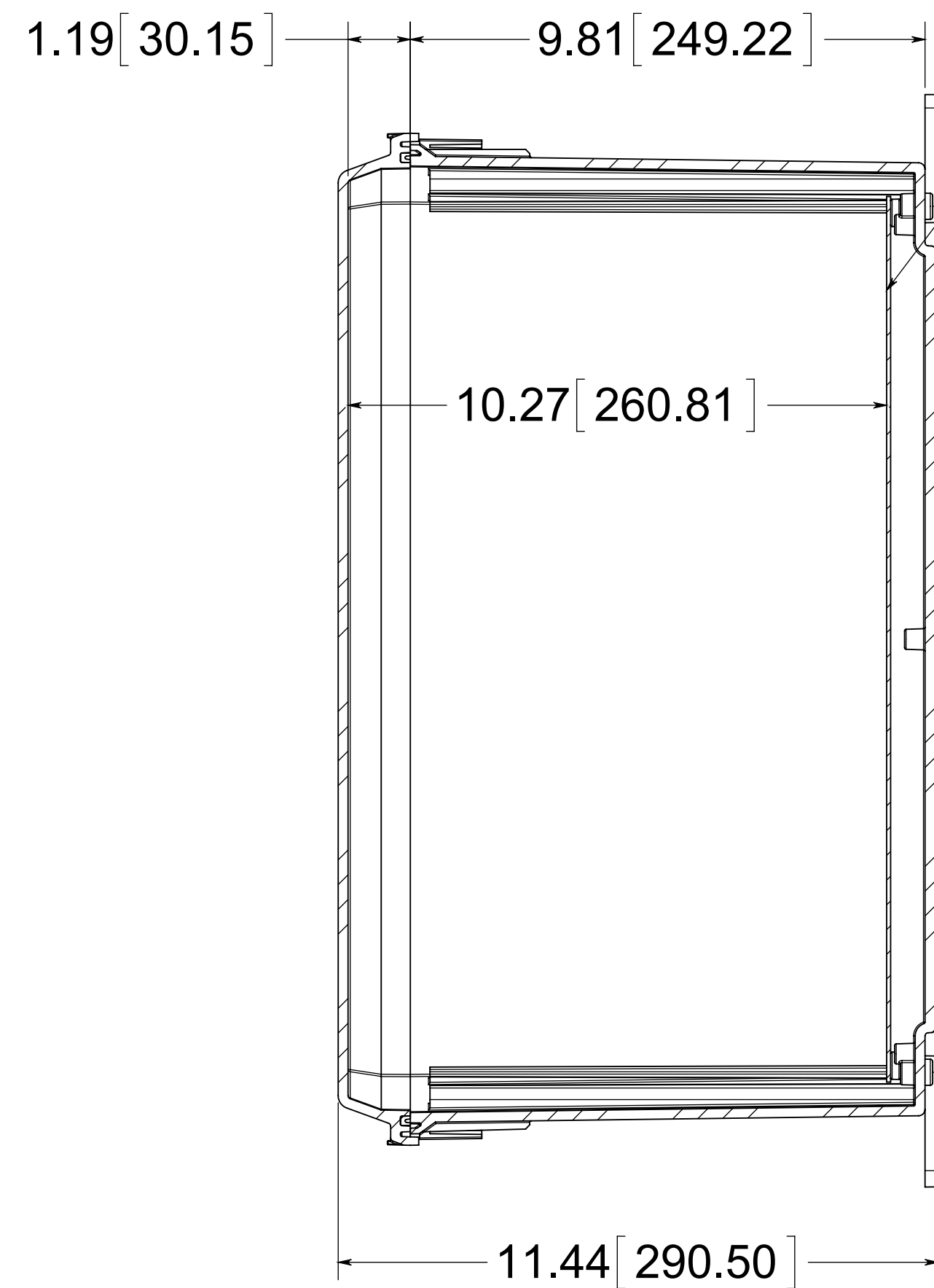


(4) EACH #10-32 BRASS INSERTS AND STAINLESS STEEL CAPTIVE COVER SCREWS WITH RETAINING O-RING

FIP POLYURETHANE FOAM GASKET



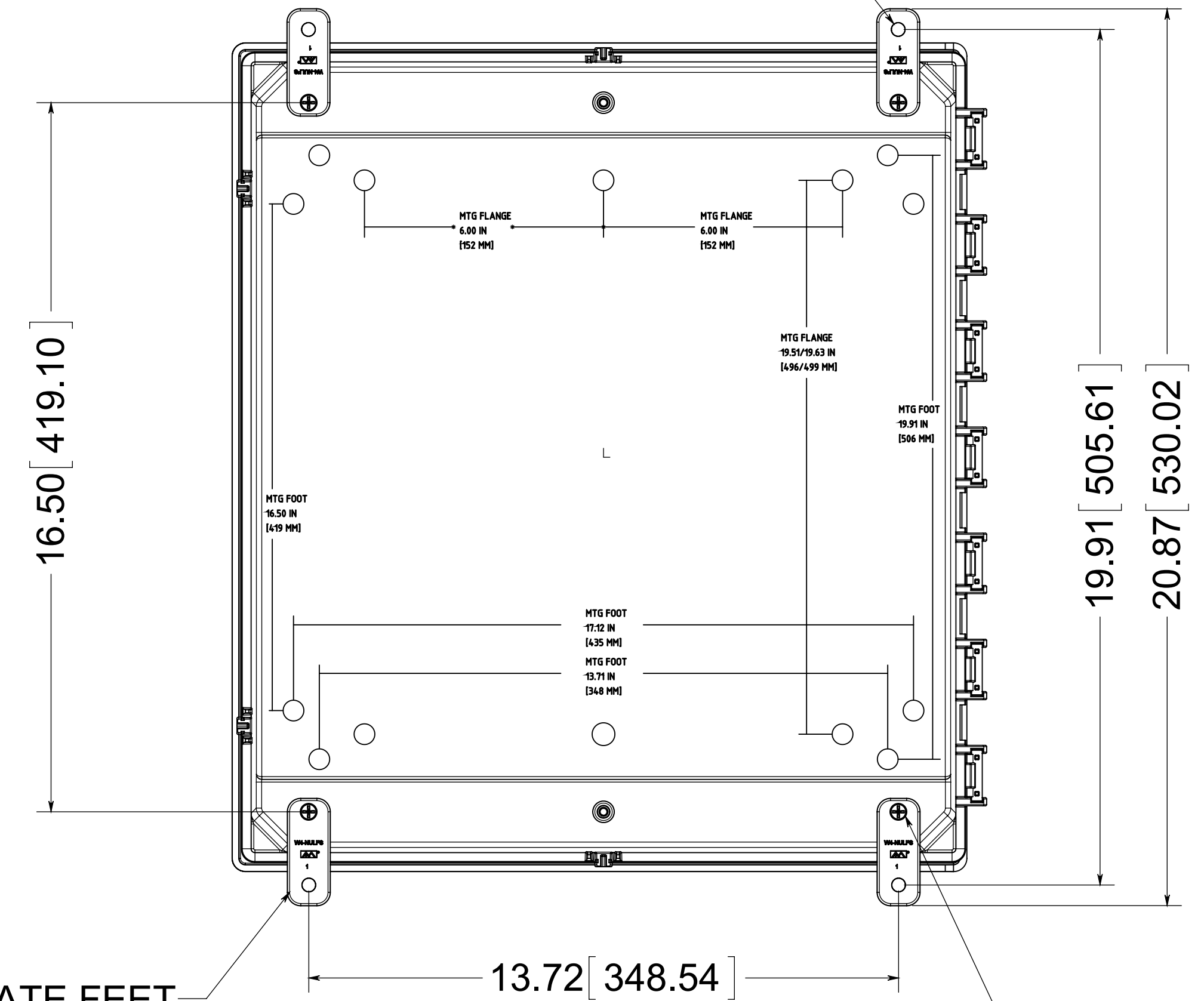
(4) EACH #10-32 BRASS INSERTS PLATED CARBON STEEL SCREWS TO RETAIN BACK PANEL



(4) POLYCARBONATE FEET

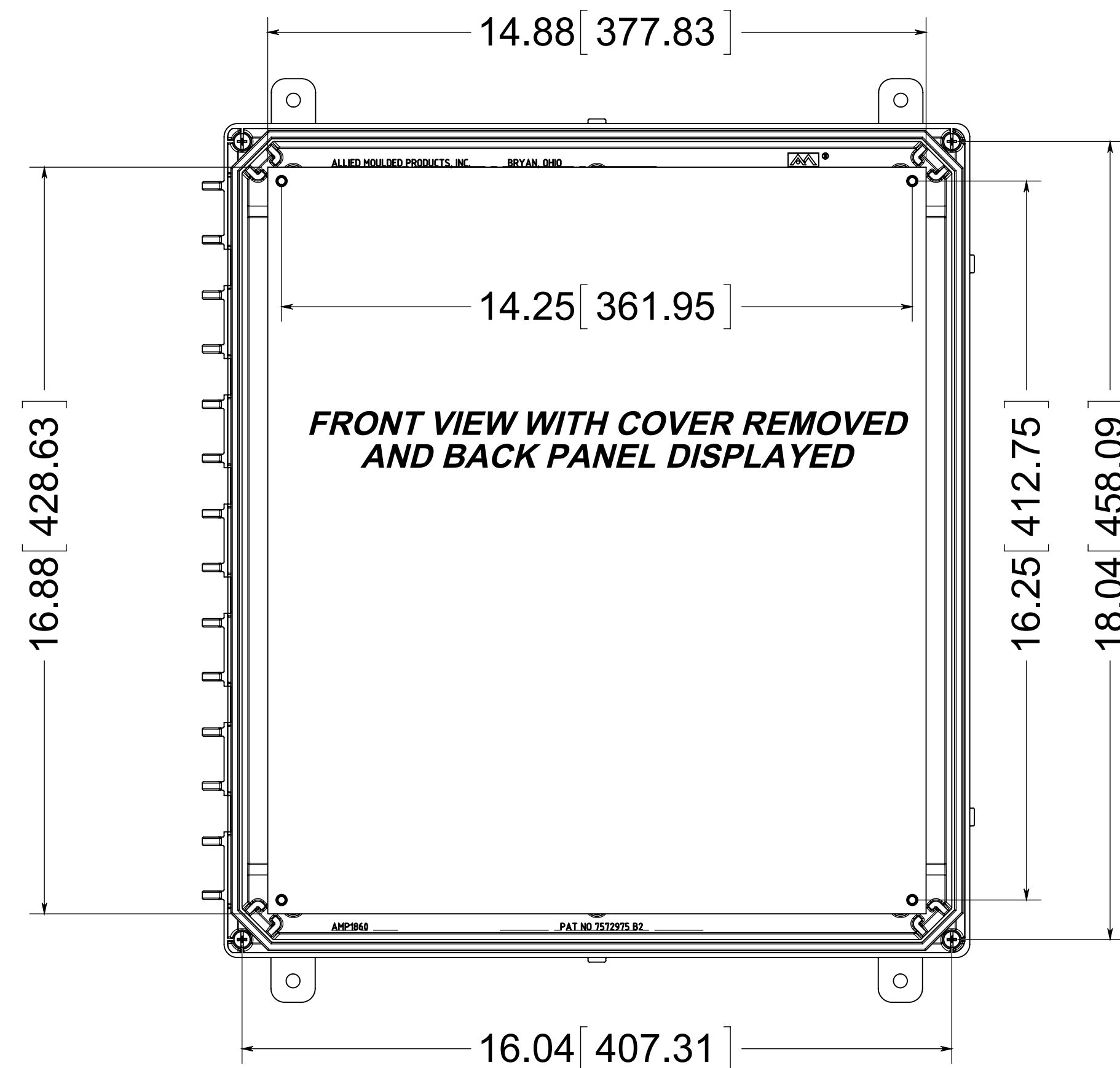
OPTIONAL BACK PANEL
 .100[2.54] TH'K - ALUMINUM
 .075[1.91] TH'K - PAINTED STEEL

4X Ø .32 [8.17]



(4) EACH #10-32 BRASS INSERTS AND STAINLESS STEEL FLANGE AND FEET SCREWS

MATERIAL:
 BOX: INJECTION MOLDED POLYCARBONATE
 STANDARD COVER: INJECTION MOLDED POLYCARBONATE
 CLEAR COVER: INJECTION MOLDED POLYCARBONATE



FRONT VIEW WITH COVER REMOVED AND BACK PANEL DISPLAYED



CONFIDENTIAL
 THIS MATERIAL IS OWNED BY THE ALLIED MOULDED PRODUCTS COMPANY, IS DISCLOSED IN CONFIDENCE, AND IS NOT TO BE REPRODUCED OR DISTRIBUTED WITHOUT PRIOR WRITTEN PERMISSION FROM ALLIED MOULDED PRODUCTS.

Description
AMP Polyline
 Part No.
AMP1860