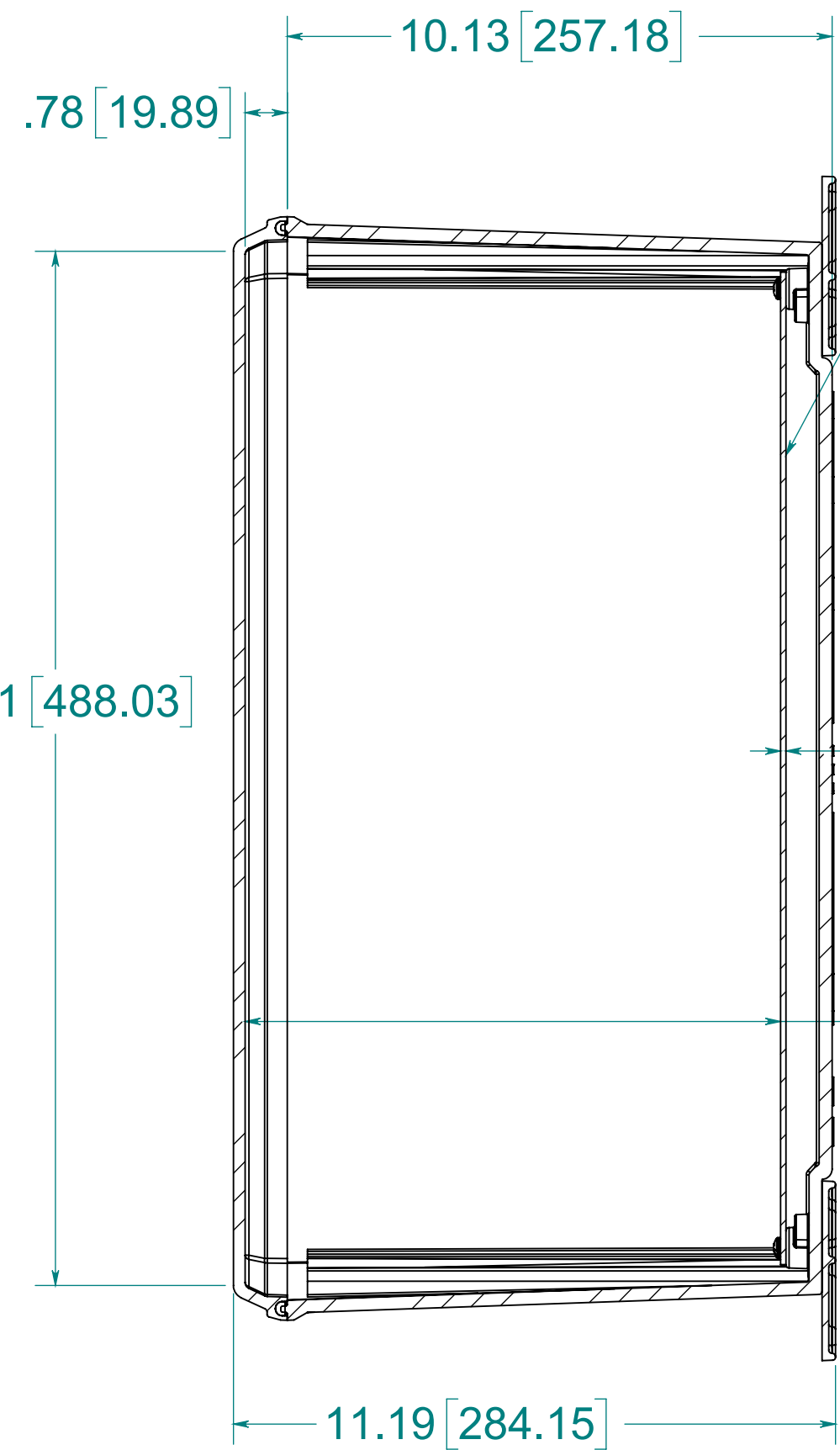
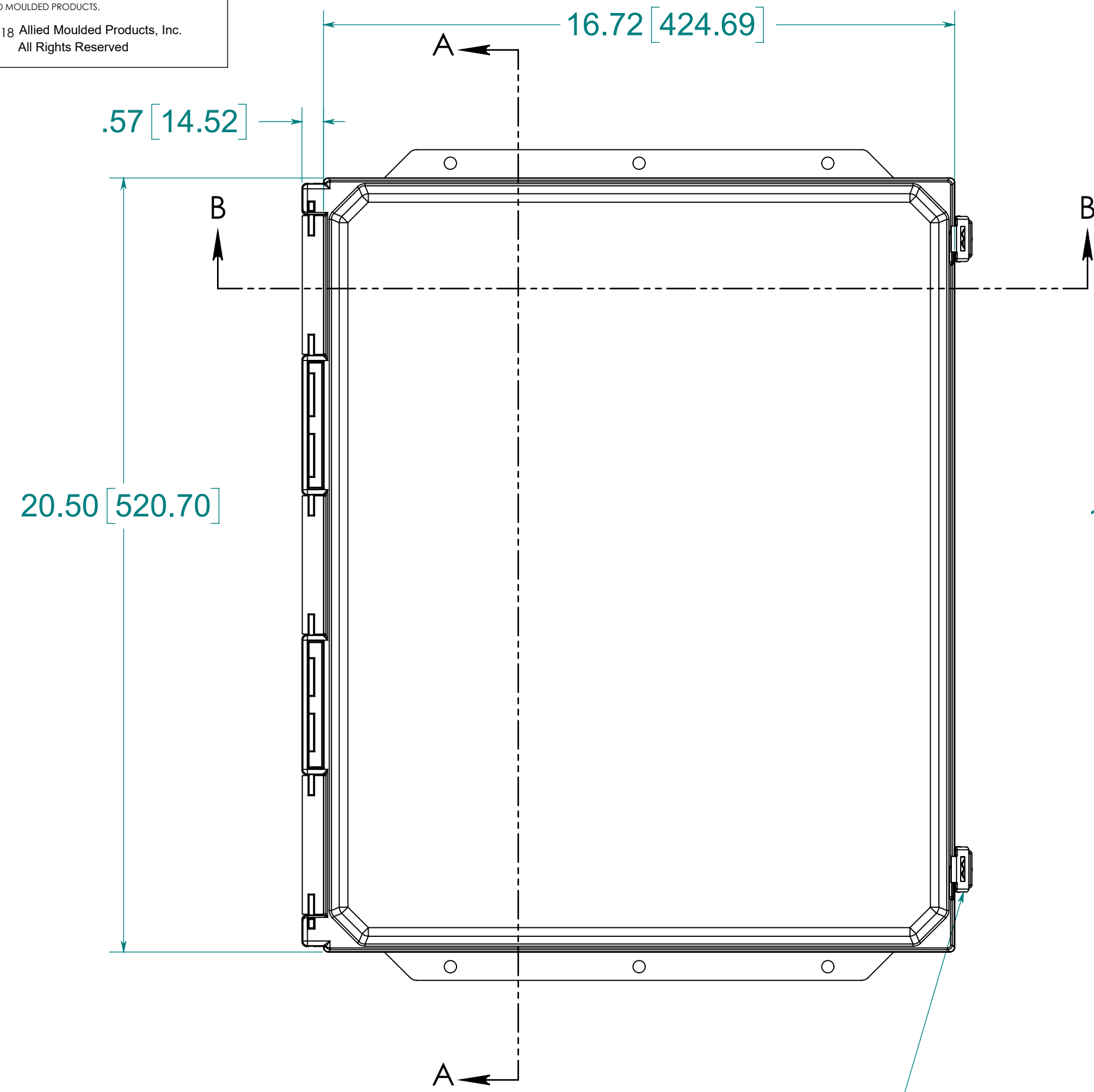
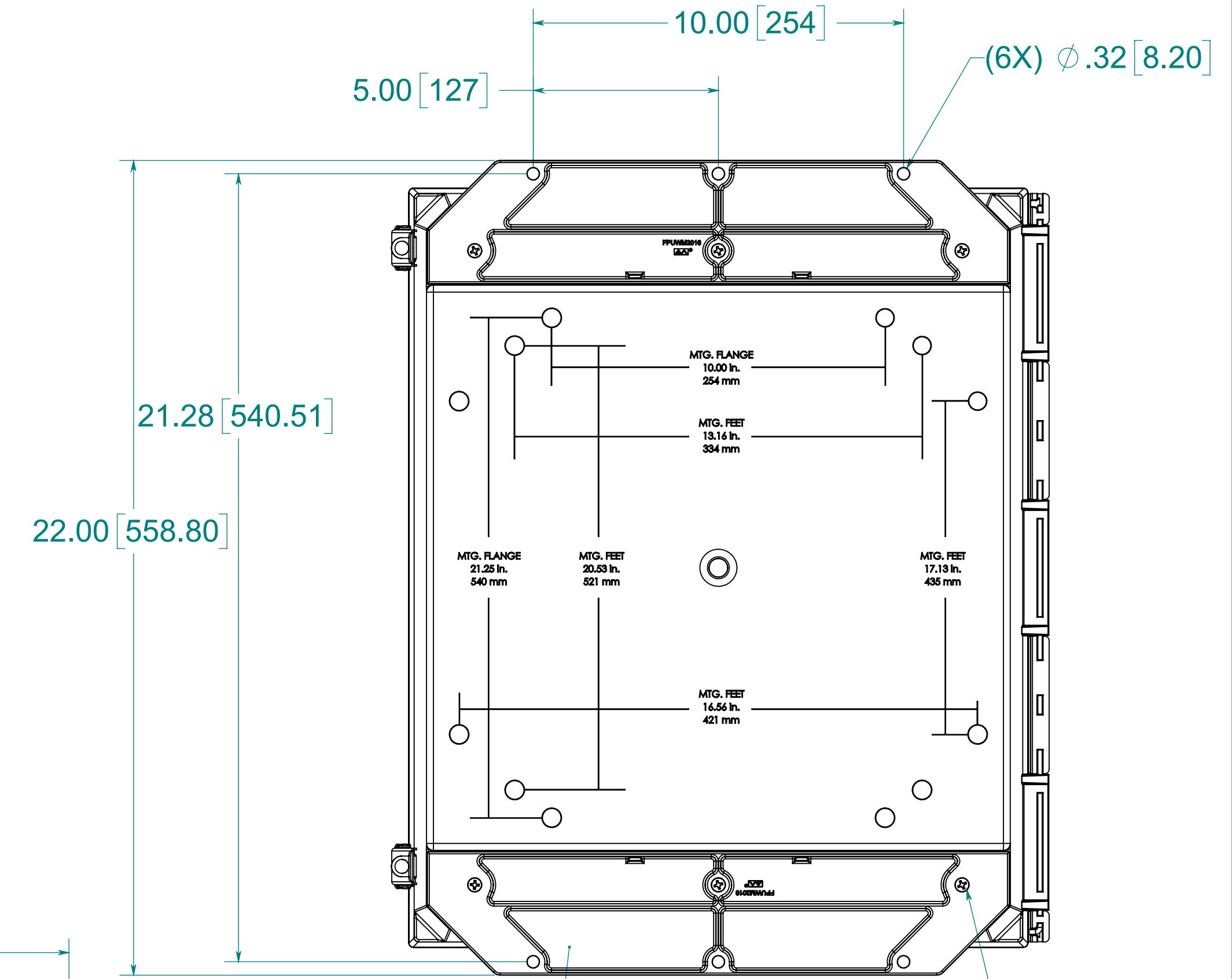


**CONFIDENTIAL**  
 THIS MATERIAL IS OWNED BY THE ALLIED MOULDED PRODUCTS COMPANY. IT IS DISCLOSED IN CONFIDENCE AND IS NOT TO BE REPRODUCED OR DISTRIBUTED WITHOUT PRIOR WRITTEN PERMISSION FROM ALLIED MOULDED PRODUCTS.  
 © 2018 Allied Moulded Products, Inc. All Rights Reserved

Date	Rev	Description	ECN No.	DR	CK	REL
08/02/2019		INITIAL RELEASE	ECN-314	DJL	SRH	GEL
-	-	-	-	-	-	-
-	-	-	-	-	-	-



OPTIONAL BACK PANEL SHOWN  
 0.100 [2.54mm] TH'K- ALUMINUM  
 0.075 [1.91mm] TH'K- WHITE STEEL  
 0.188 [4.78mm] TH'K- PVC

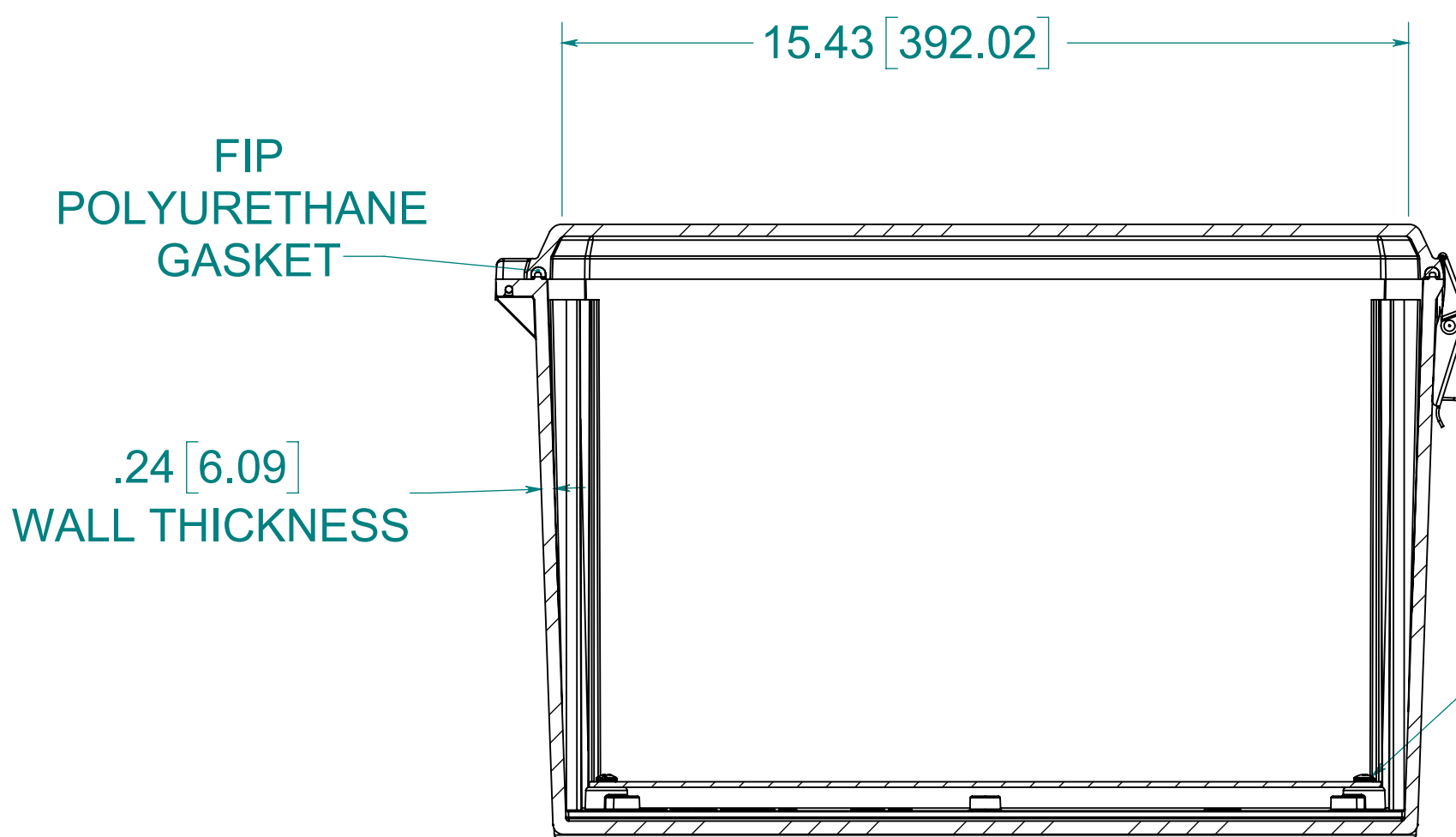


(2X) 316 STAINLESS STEEL LOCKABLE SNAP LATCH

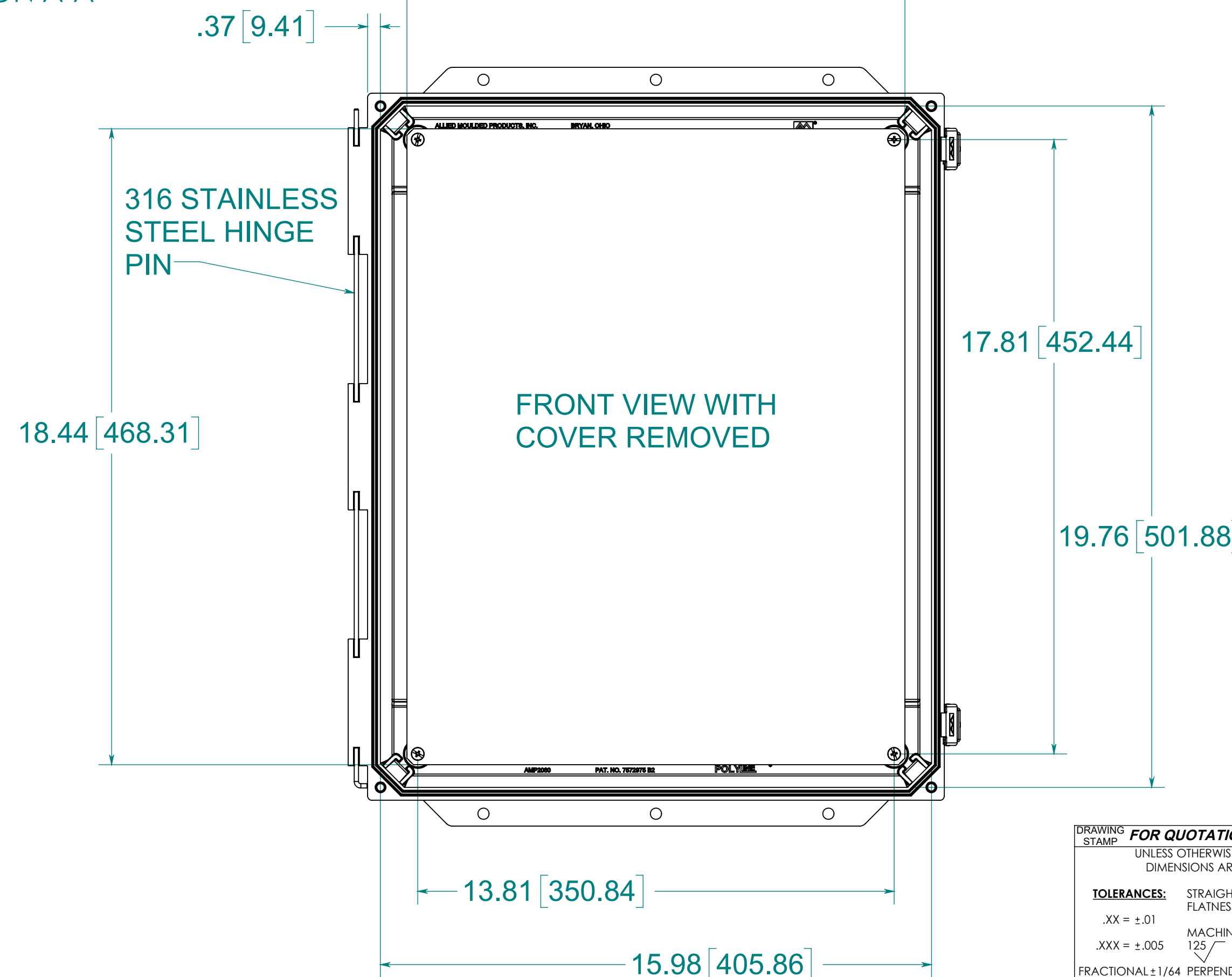
SECTION A-A

(2X) POLYCARBONATE FLANGE

(6X) EACH #10-32 BRASS INSERTS AND 316 STAINLESS STEEL FLANGE SCREWS



SECTION B-B



FRONT VIEW WITH COVER REMOVED

**MATERIAL:**  
 BOX- INJECTED POLYCARBONATE  
 STANDARD COVER- INJECTED POLYCARBONATE  
 CLEAR COVER- INJECTED POLYCARBONATE

<b>FOR QUOTATION ONLY</b> UNLESS OTHERWISE SPECIFIED: DIMENSIONS ARE IN INCHES		MOLD VERSION: <b>D</b> STANDARD SYMBOLS: D+ = PLUS DRAFT, D- = MINUS DRAFT, (M) = MATCH DRILL, (1) = 1" DRAFT, (3) = 3" DRAFT, (S) = STEEL SAFE	PROJECT NO.: ASSET NO.: BOM PART NO.:
<b>TOLERANCES:</b> .XX = ±.01 .XXX = ±.005 FRACTIONAL ± 1/64 ANGULAR ± 0°30'	STRAIGHTNESS &/OR FLATNESS: .005" MACHINED SURFACES: 125 OR BETTER PERPEND.: .005" CONCEN.: .005"	DRAWING SIZE: THIRD ANGLE PROJECTION	DESCRIPTION: <b>AMP Polylite</b> DRAWN: DJL TEST CHECK: DJL 2ND CHECK: SRH RELEASED: GEL DATE: 6/7/2019 DATE: 08/02/2019 DATE: 08/08/2019 DATE: 08/08/2019
SHEET 1 OF 1 DO NOT SCALE		CRIB NO.:	MATERIAL: SEE BOM FINISH / HEAT TREAT: PRINT NUMBER: AMP2060CCLF REV: