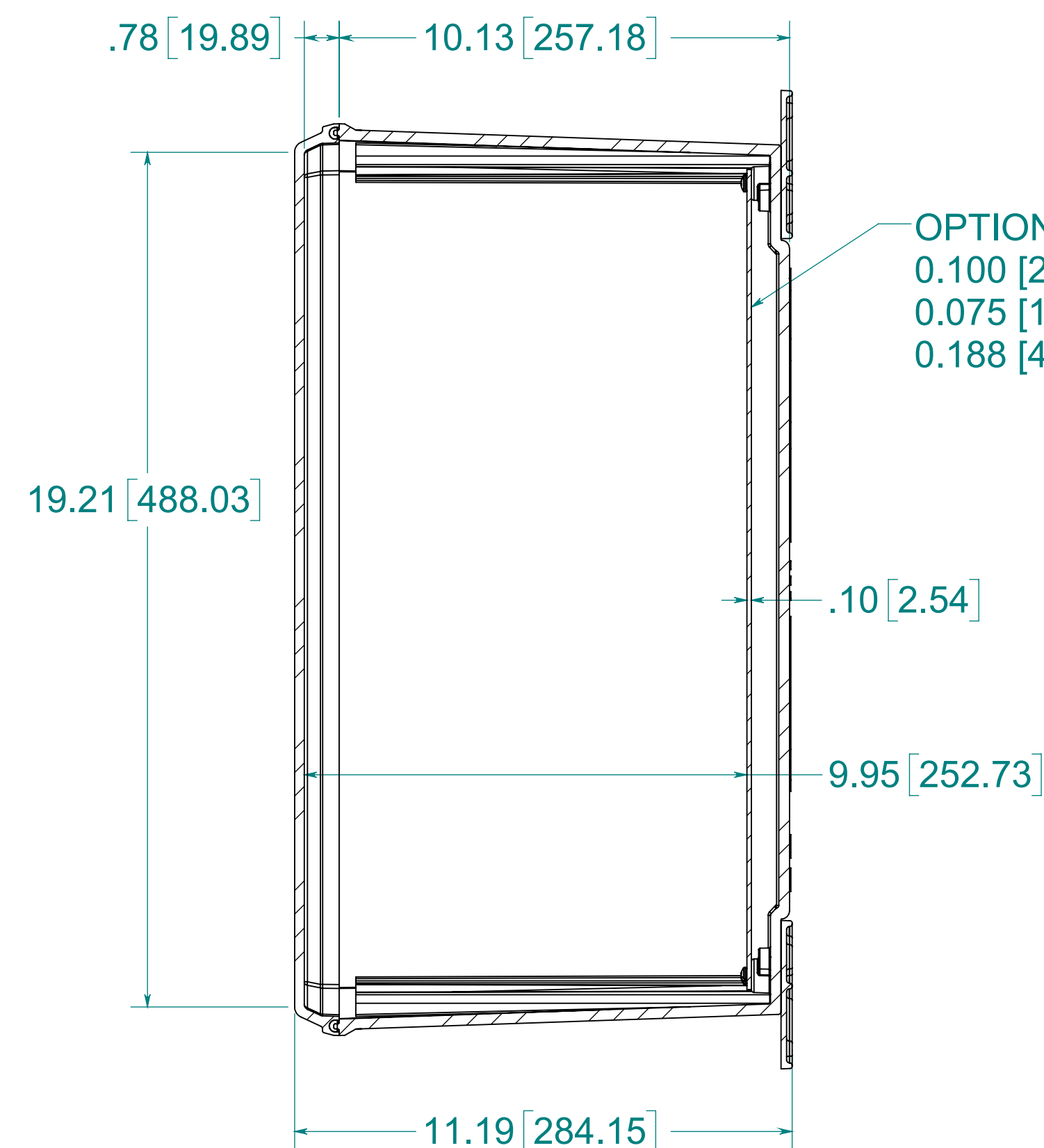
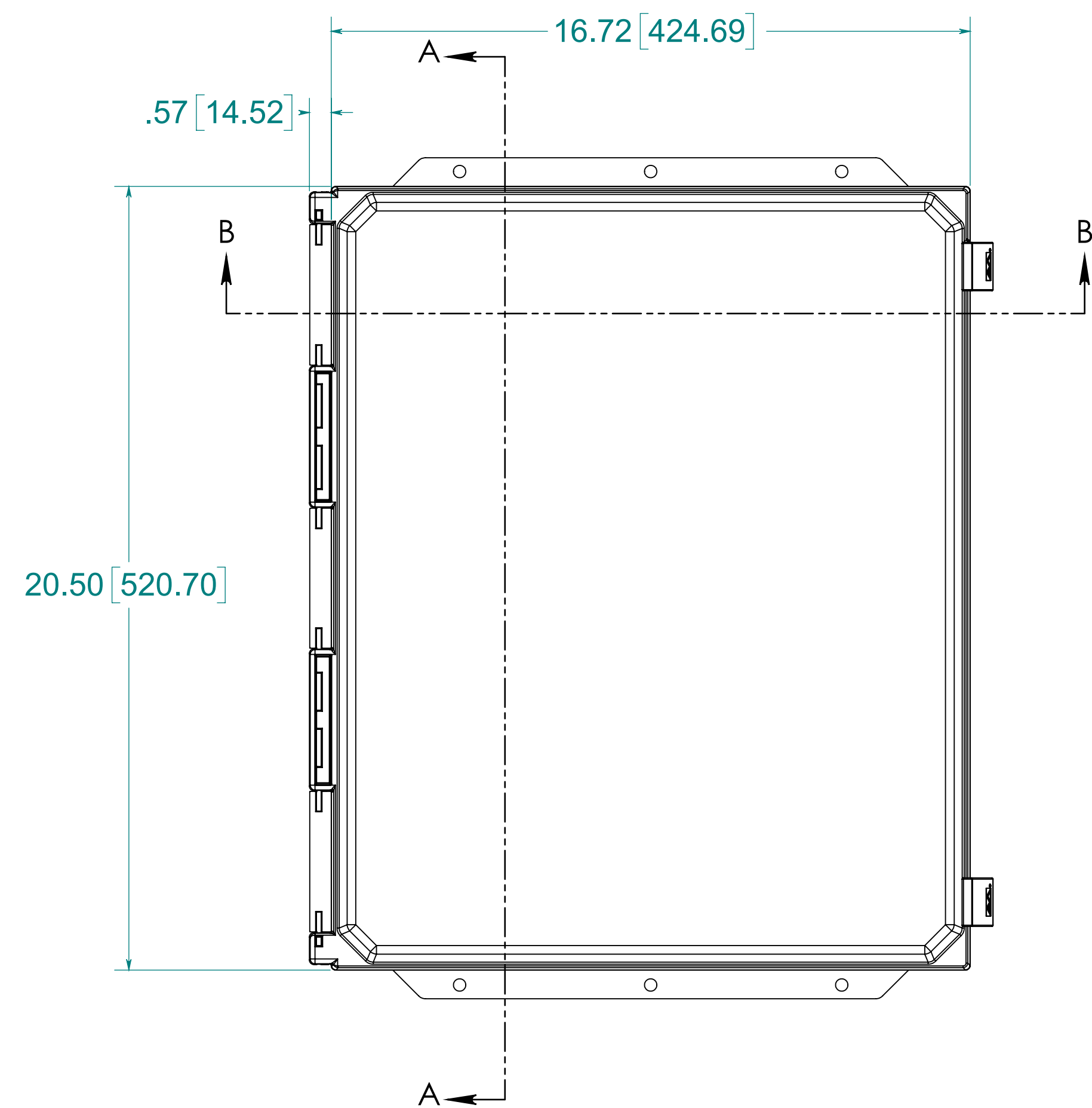
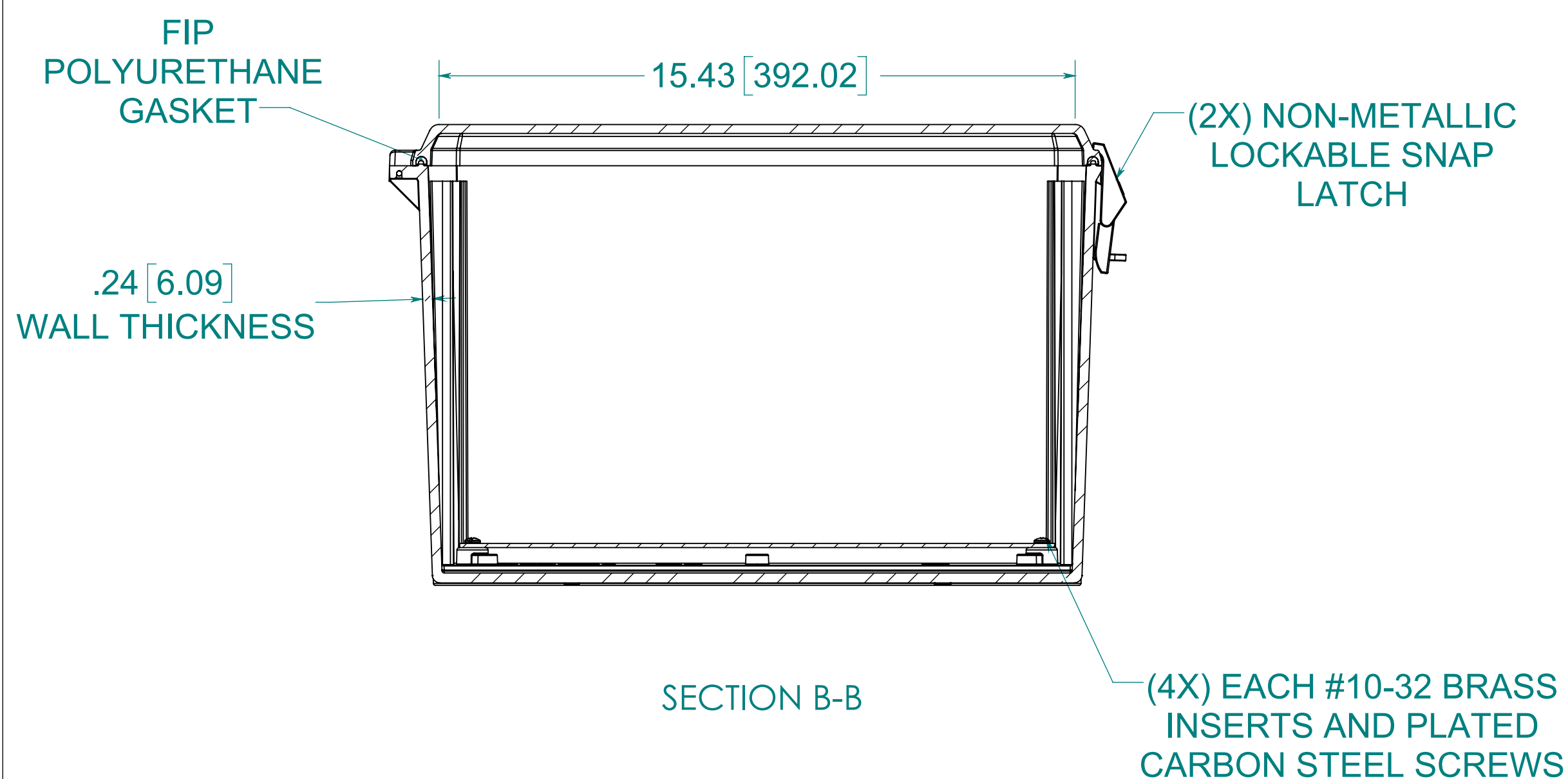
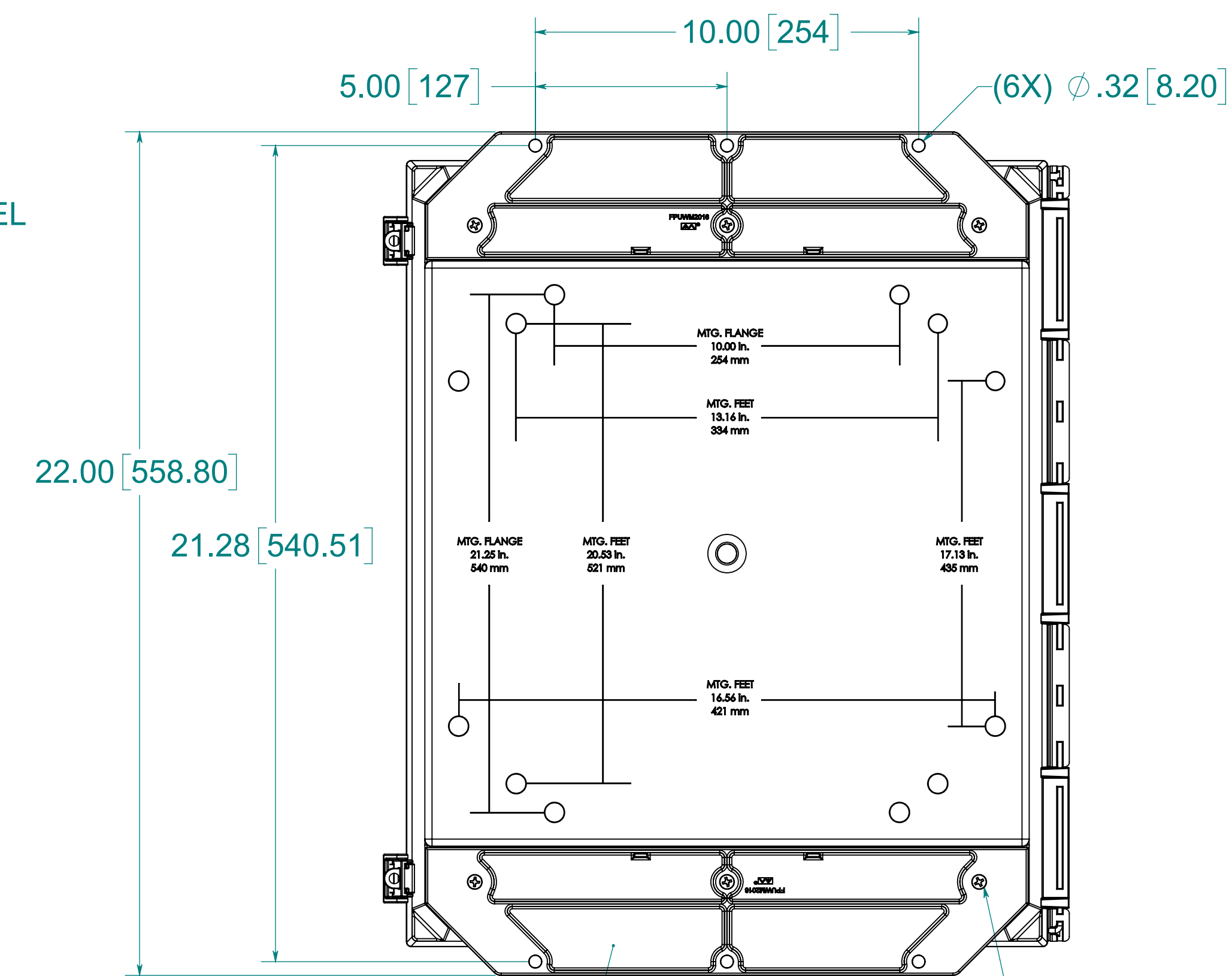


Date	Rev	Description	ECN No.	ISSUE DATE	DB	CK	REL
08/02/2019		INITIAL RELEASE	ECN-314		DJL	SRH	GEL
-	-	-	-	-	-	-	-
-	-	-	-	-	-	-	-

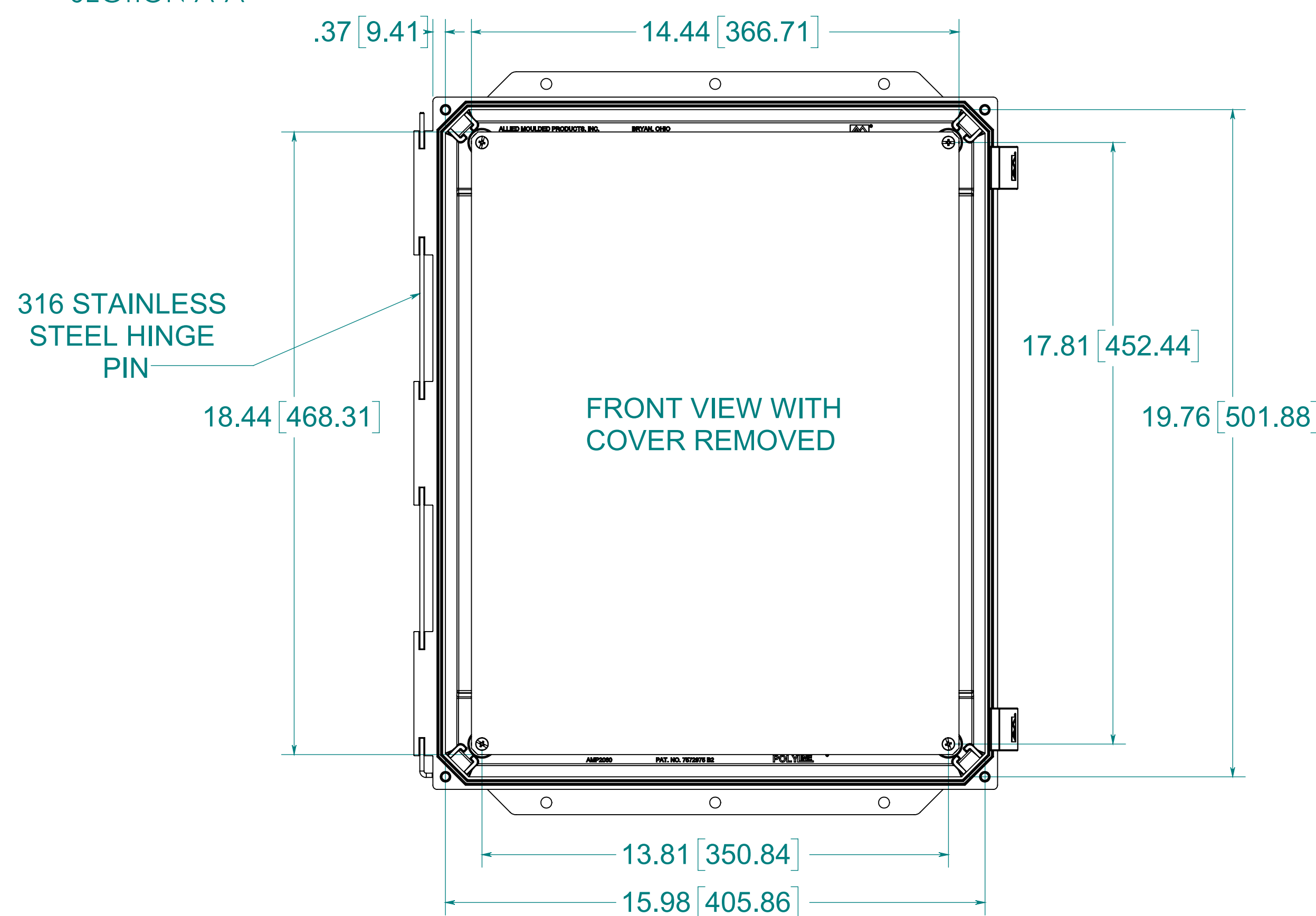


OPTIONAL BACK PANEL SHOWN  
0.100 [2.54mm] TH'K- ALUMINUM  
0.075 [1.91mm] TH'K- WHITE STEEL  
0.188 [4.78mm] TH'K- PVC



MATERIAL:  
BOX- INJECTED POLYCARBONATE  
STANDARD COVER- INJECTED POLYCARBONATE  
CLEAR COVER- INJECTED POLYCARBONATE

SECTION A-A



NOTE:  
1. DATA SUBJECT TO CHANGE WITHOUT NOTICE



CONFIDENTIAL  
THIS MATERIAL IS OWNED BY THE ALLIED MOULDED PRODUCTS COMPANY, IS DISCLOSED IN CONFIDENCE, AND IS NOT TO BE REPRODUCED OR DISTRIBUTED WITHOUT PRIOR WRITTEN PERMISSION FROM ALLIED MOULDED PRODUCTS.  
© 2018 Allied Moulded Products, Inc. All Rights Reserved

Description  
**AMP Polyline**  
Part No.  
**AMP2060NLF**