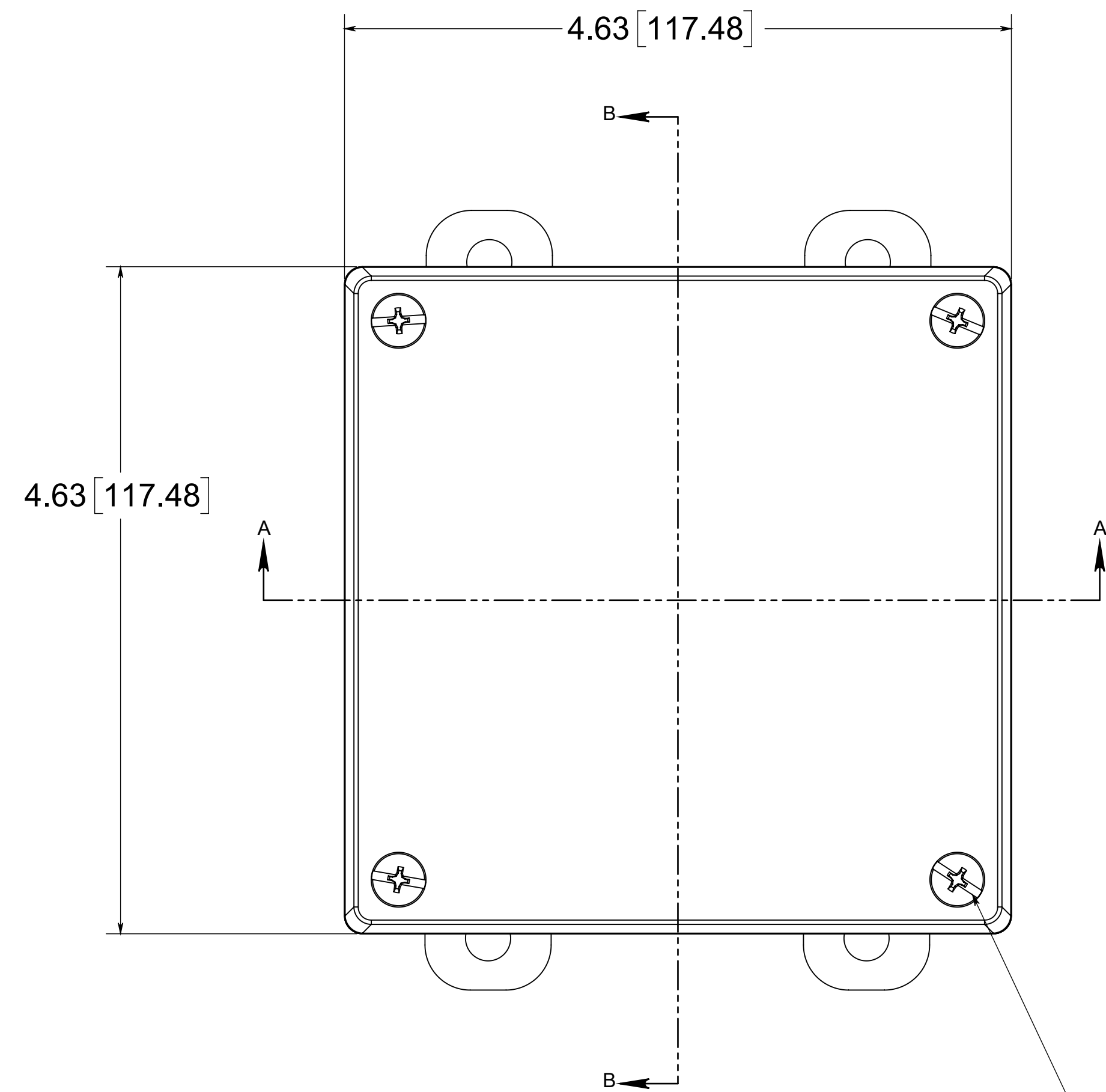
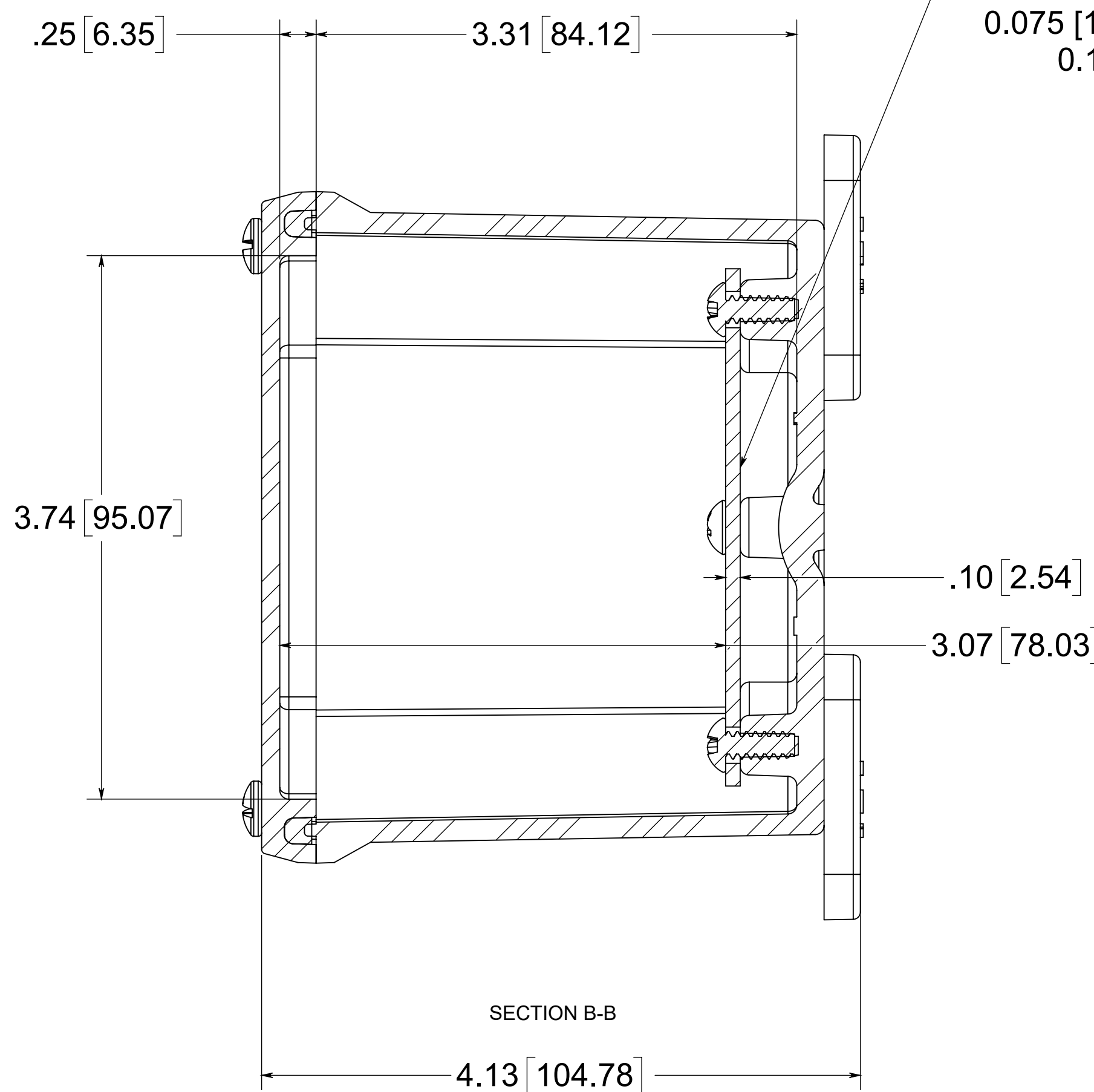


Date	Rev	Description	ECN No.	ISSUE DATE	DB	CK	REL
03/01/2018		INITIAL RELEASE	ECN-12365		SMZ	ZDW	GEL
-	-	-	-	-	-	-	-
-	-	-	-	-	-	-	-

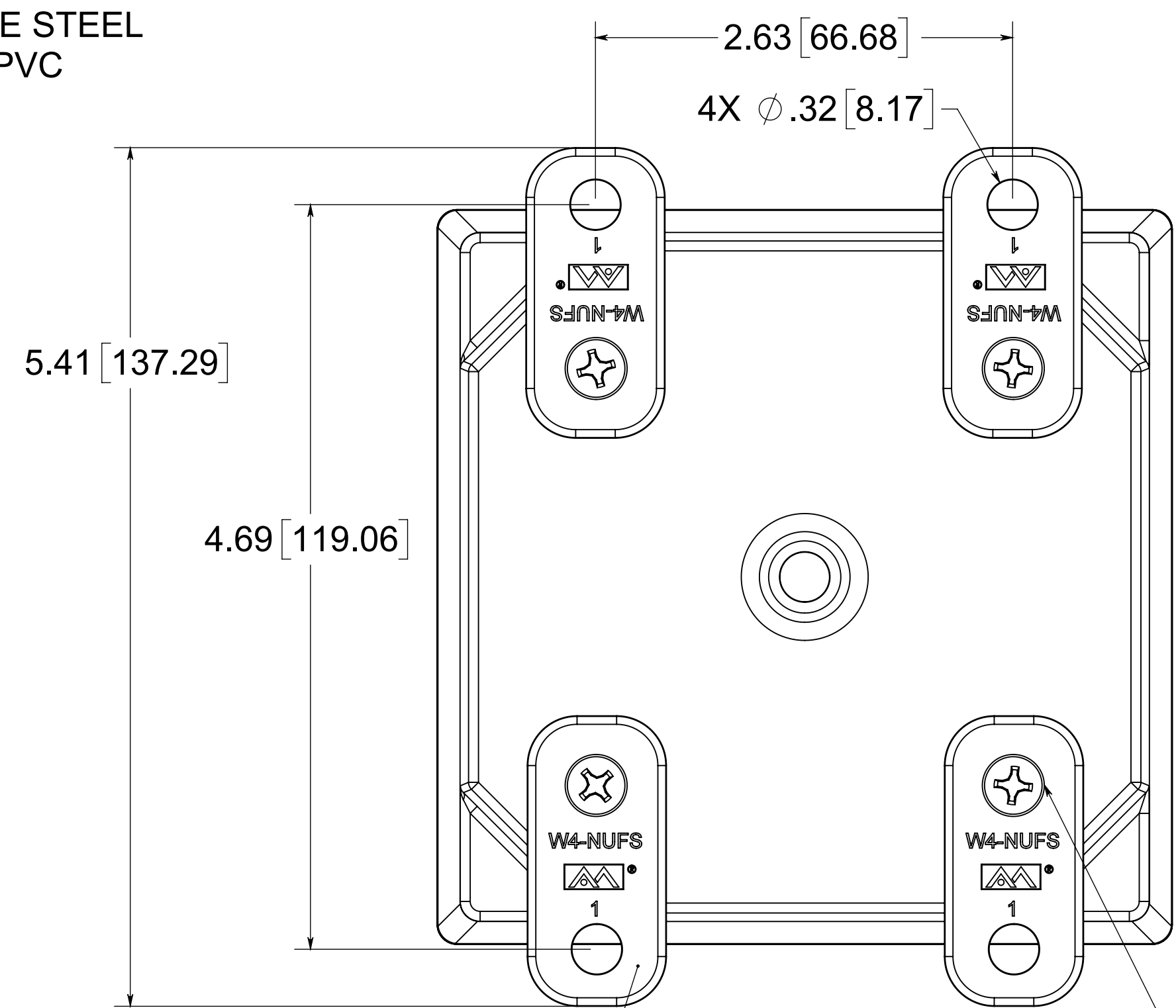


(4) EACH #10-32 BRASS INSERTS AND 316 STAINLESS STEEL CAPTIVE COVER SCREWS



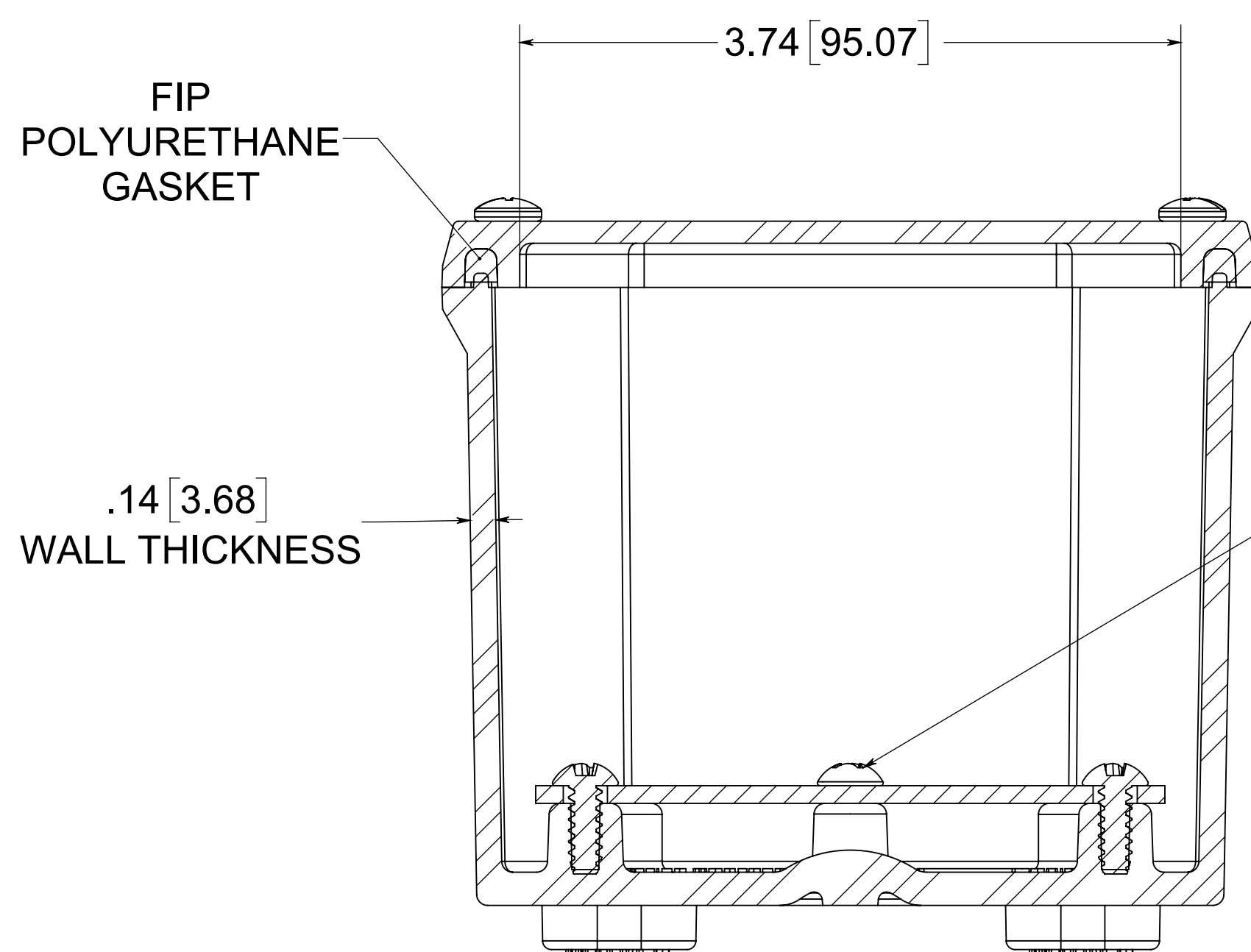
SECTION B-B

OPTIONAL BACK PANEL SHOWN  
 0.100 [2.54mm] TH'K-ALUMINUM  
 0.075 [1.91mm] TH'K-WHITE STEEL  
 0.188 [4.78mm] TH'K-PVC

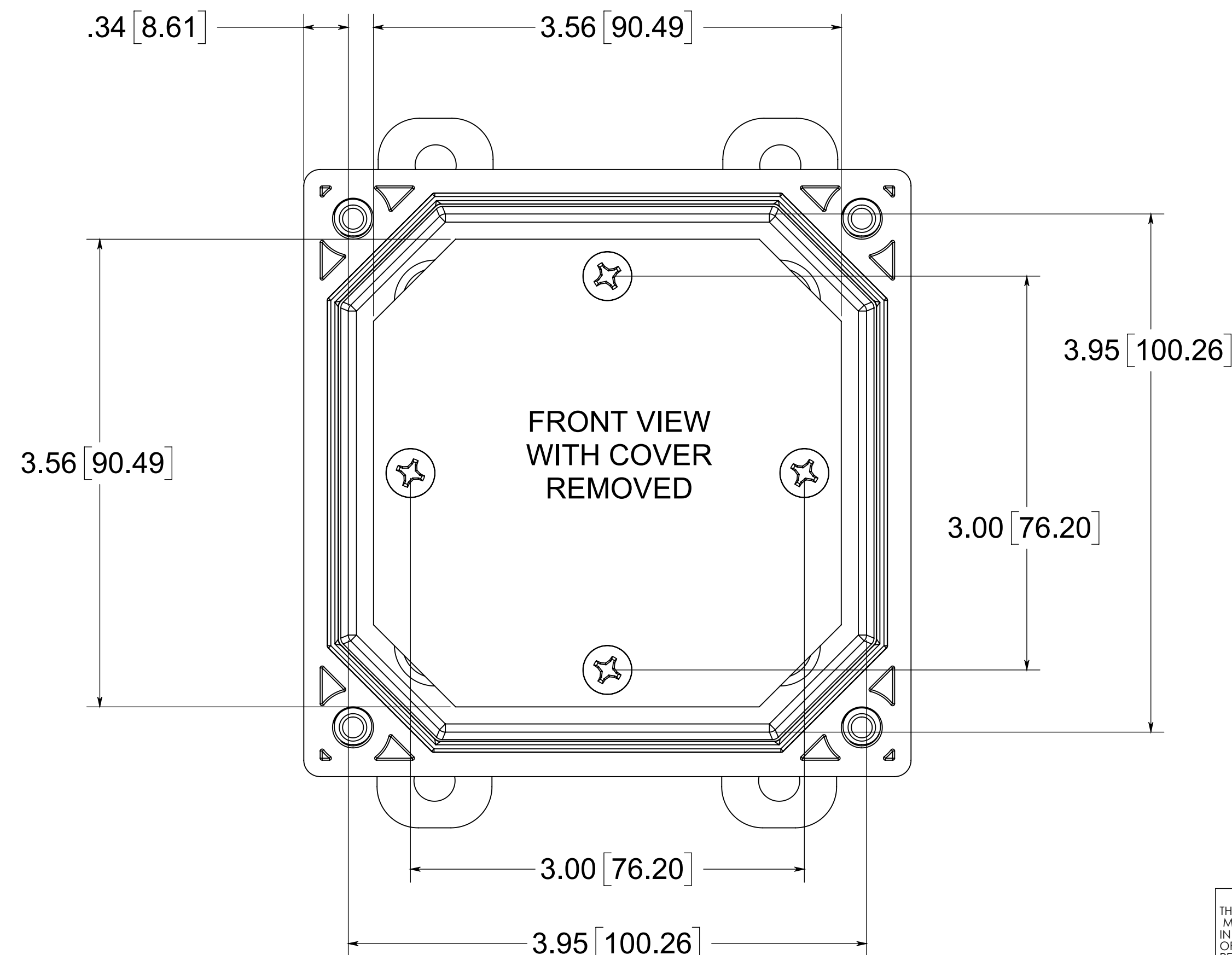


(4) POLYCARBONATE FEET

(4) EACH 316 STAINLESS STEEL FLANGE AND FEET SCREWS



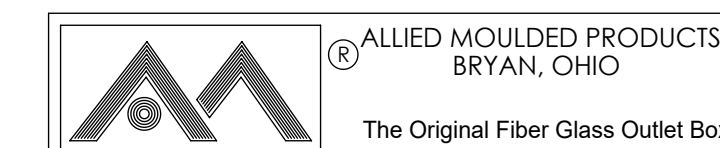
SECTION A-A



FRONT VIEW WITH COVER REMOVED

NOTE:  
 1. DATA SUBJECT TO CHANGE WITHOUT NOTICE

MATERIAL:  
 BOX - INJECTED POLYCARBONATE  
 STANDARD COVER - INJECTED POLYCARBONATE  
 CLEAR COVER - INJECTED POLYCARBONATE



CONFIDENTIAL  
 THIS MATERIAL IS OWNED BY THE ALLIED MOULDED PRODUCTS COMPANY, IS DISCLOSED IN CONFIDENCE, AND IS NOT TO BE REPRODUCED OR DISTRIBUTED WITHOUT PRIOR WRITTEN PERMISSION FROM ALLIED MOULDED PRODUCTS.  
 © 2018 Allied Moulded Products, Inc. All Rights Reserved

Description  
**AMP Polyline**  
 Part No.  
**AMP443CC**