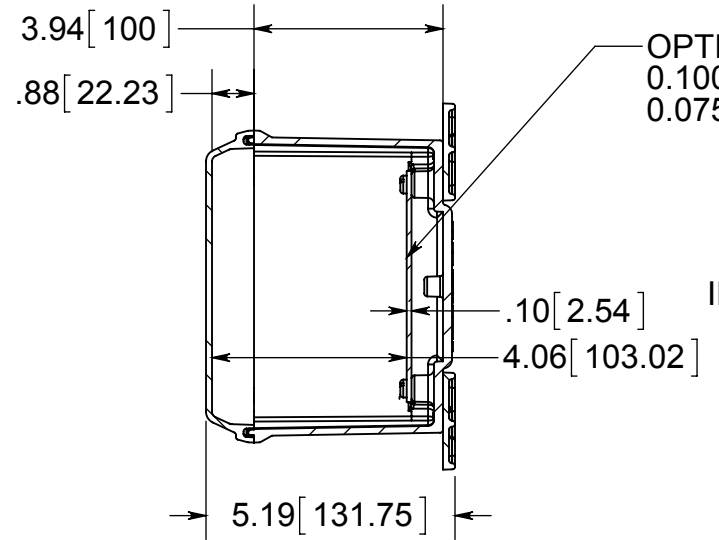
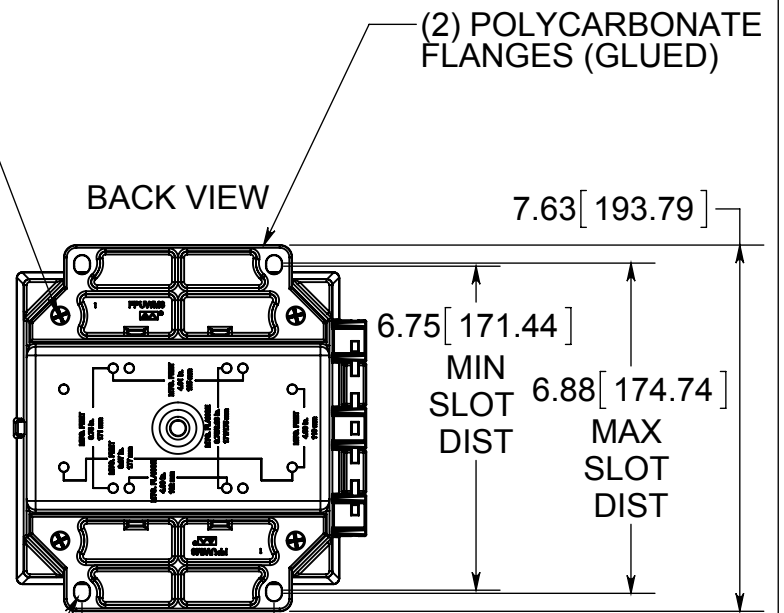


STAINLESS STEEL HINGE PIN  
 (2) EACH #10-32 BRASS INSERTS AND STAINLESS STEEL CAPTIVE COVER SCREWS

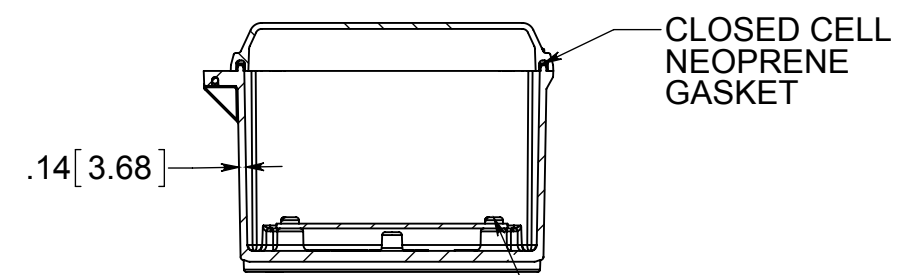


OPTIONAL BACK PANEL SHOWN  
 0.100 [2.54mm] TH'K- ALUMINUM  
 0.075 [1.91mm] TH'K- WHITE STEEL

(4) EACH #10-32 BRASS INSERTS, AND STAINLESS STEEL FLANGE AND FEET SCREWS

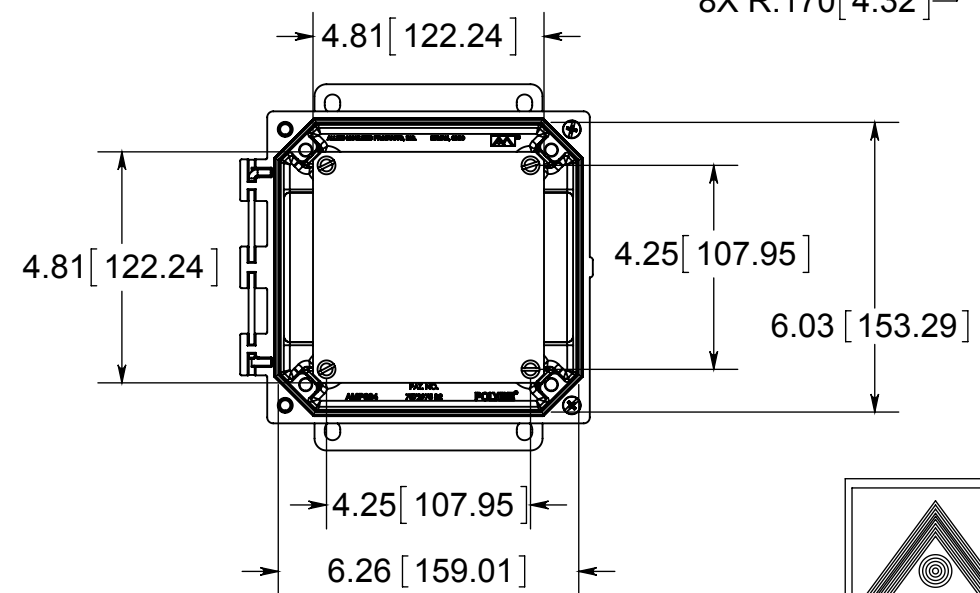


BACK VIEW



(4) EACH #10-32 BRASS INSERTS AND PLATED CARBON STEEL SCREWS WITH WASHERS

FRONT VIEW WITH COVER REMOVED AND BACK PANEL DISPLAYED



MATERIAL:  
 BOX- INJECTED POLYCARBONATE  
 STANDARD COVER- INJECTED POLYCARBONATE  
 CLEAR COVER- INJECTED POLYCARBONATE

**CONFIDENTIAL**  
 THIS MATERIAL IS OWNED BY THE ALLIED MOULDED PRODUCTS COMPANY, IS DISCLOSED IN CONFIDENCE, AND IS NOT TO BE REPRODUCED OR DISTRIBUTED WITHOUT PRIOR WRITTEN PERMISSION FROM ALLIED MOULDED PRODUCTS.

**ALLIED MOULDED PRODUCTS**  
 BRYAN, OHIO  
 The Original Fiber Glass Outlet Box

PRODUCT SERIES

# AMP Polyline

Part No.

# AMP664CCHF