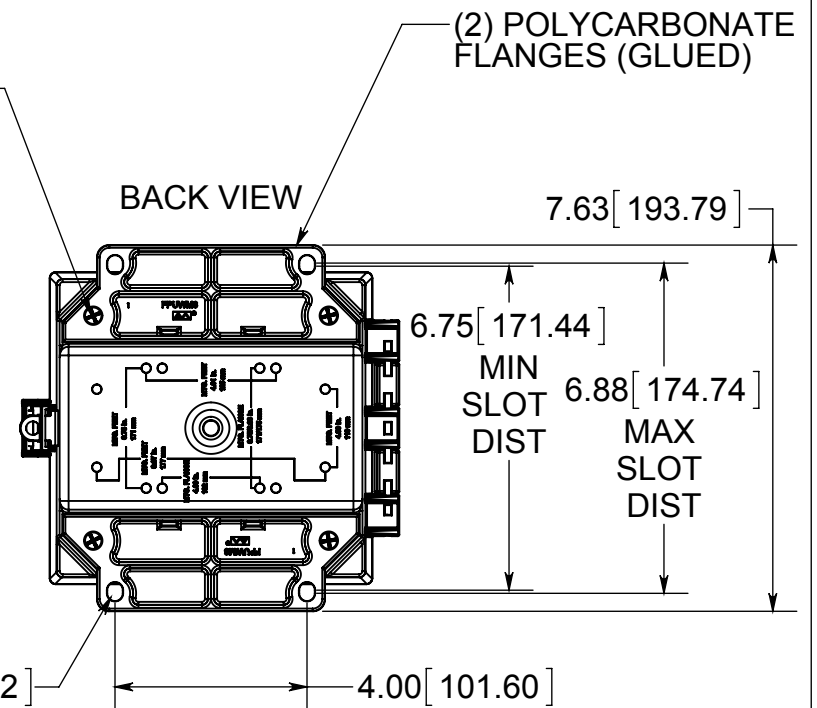
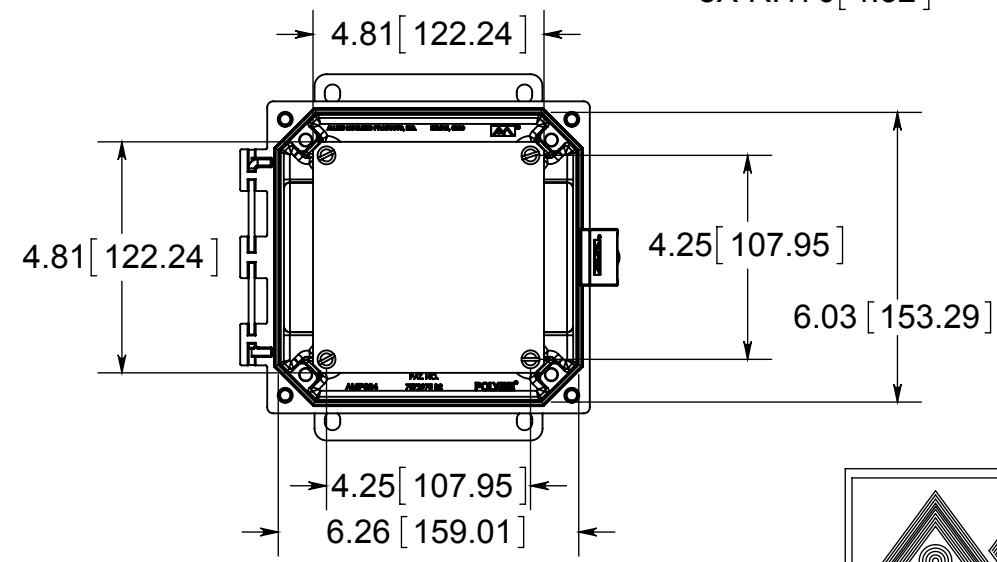


OPTIONAL BACK PANEL SHOWN
 0.100 [2.54mm] TH'K- ALUMINUM
 0.075 [1.91mm] TH'K- WHITE STEEL

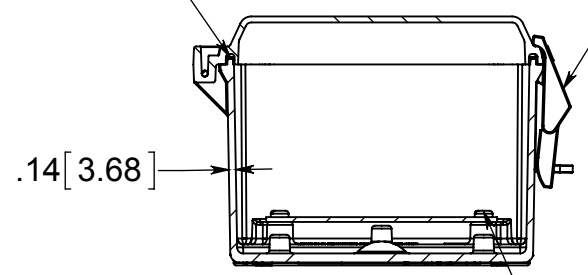
(4) EACH #10-32 BRASS
 INSERTS, AND STAINLESS
 STEEL FLANGE AND
 FEET SCREWS



FRONT VIEW
 WITH COVER REMOVED
 AND BACK PANEL DISPLAYED



CLOSED CELL
 NEOPRENE
 GASKET



NON-METALLIC
 LOCKABLE SNAP LATCH
 LOCATED ON CENTER

(4) EACH #10-32 BRASS
 INSERTS AND PLATED
 CARBON STEEL SCREWS
 WITH WASHERS

MATERIAL:
 BOX- INJECTED POLYCARBONATE
 STANDARD COVER- INJECTED POLYCARBONATE
 CLEAR COVER- INJECTED POLYCARBONATE

CONFIDENTIAL
 THIS MATERIAL IS OWNED BY THE ALLIED MOULDED
 PRODUCTS COMPANY, IS DISCLOSED IN CONFIDENCE,
 AND IS NOT TO BE REPRODUCED OR DISTRIBUTED
 WITHOUT PRIOR WRITTEN PERMISSION FROM
 ALLIED MOULDED PRODUCTS.

ALLIED MOULDED PRODUCTS
 BRYAN, OHIO
 The Original Fiber Glass Outlet Box

PRODUCT SERIES

AMP Polyline

Part No.

AMP664NLF