

STANDARD MOUNT HOLE PATTERN

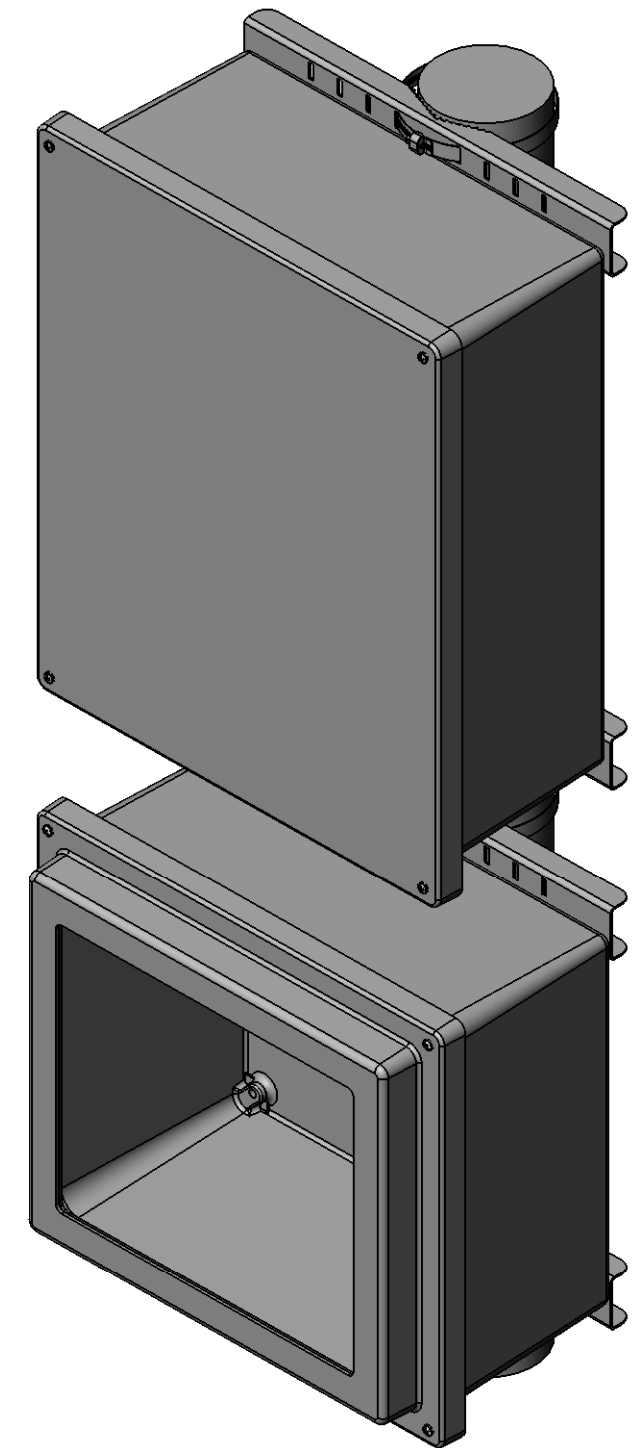
ENCLOSURE	VERTICAL DIM	HORIZONTAL DIM	MOUNT TYPE
AM1868(X)	16.98 (431.3)	14.97 (380.2)	DIRECT TO BOX
AM2068(X)	18.54 (470.9)	14.54 (369.3)	DIRECT TO BOX
AMHD1860 (X)F	18.76 (476.5) - 18.88 (479.6)	12.00 (304.80)	BOLT THROUGH FLANGE
AMP1860 (X)F	18.76 (476.5) - 18.88 (479.6)	12.00 (304.80)	BOLT THROUGH FLANGE
AMU1860(X)F	18.76 (476.5) - 18.88 (479.6)	12.00 (304.80)	BOLT THROUGH FLANGE
AMU2060(X)F	21.25 (539.8)	100 (254)	BOLT THROUGH FLANGE

ROTATED 90° MOUNT HOLE PATTERN

ENCLOSURE	VERTICAL DIM	HORIZONTAL DIM	MOUNT TYPE
AM1648(X)	13.01 (330.5)	14.89 (378.2)	DIRECT TO BOX

STANDARD MOUNT

ROTATED 90°



® **ALLIED MOULDED PRODUCTS**
BRYAN, OHIO

The Original Fiber Glass Outlet Box

PRODUCT SERIES

Access-Indus

Part No.

AMPOLEMNT16

CONFIDENTIAL

THIS MATERIAL IS OWNED BY THE ALLIED MOULDED PRODUCTS COMPANY, IS DISCLOSED IN CONFIDENCE, AND IS NOT TO BE REPRODUCED OR DISTRIBUTED WITHOUT PRIOR WRITTEN PERMISSION FROM ALLIED MOULDED PRODUCTS.