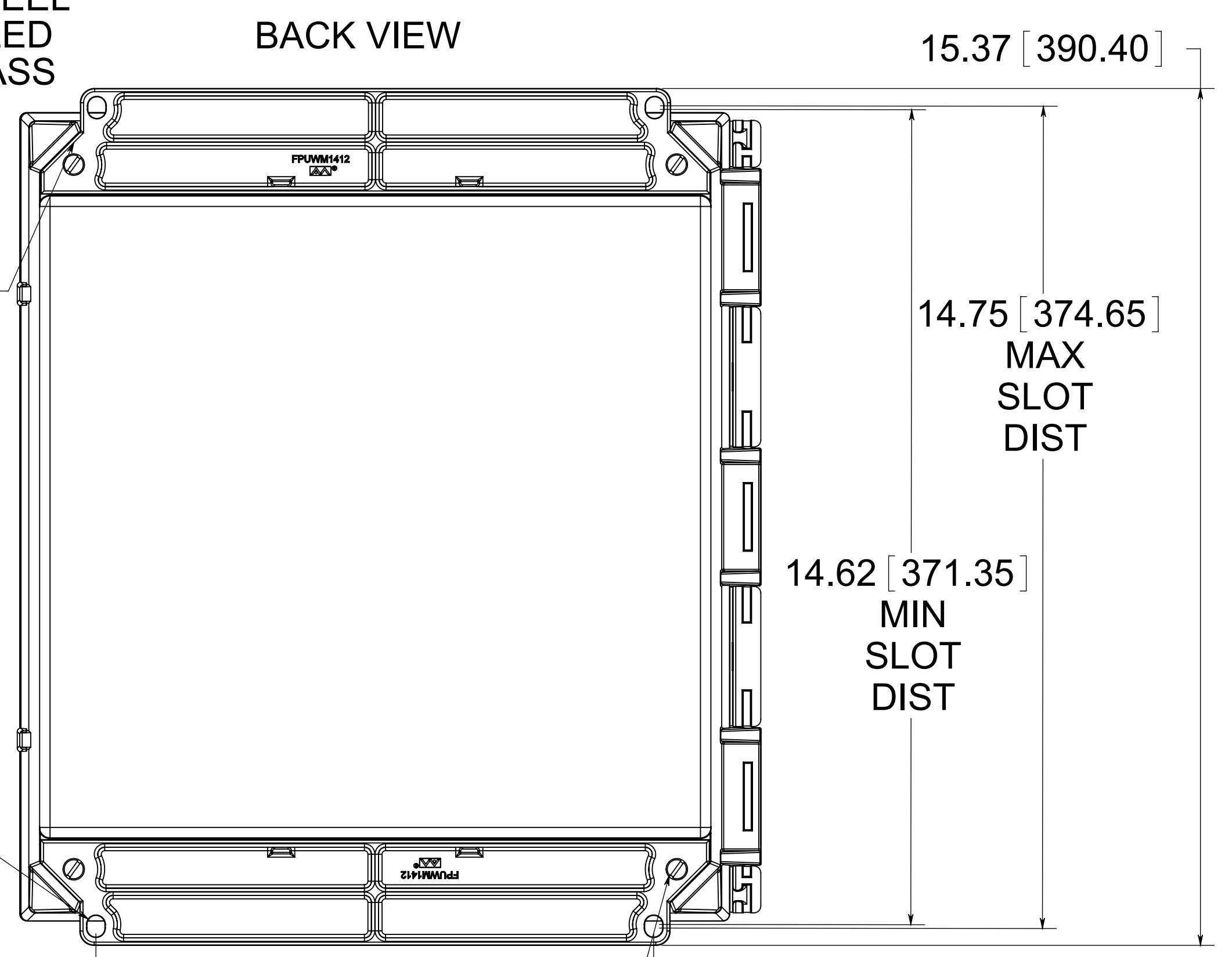


OPTIONAL BACK PANEL  
 0.100 [2.54] TH'K- ALUMINUM  
 0.075 [1.91] TH'K- WHITE STEEL  
 & GALVANNEALED  
 0.125 [3.18] TH'K- FIBERGLASS



(2) POLYCARBONATE FLANGES (GLUED)

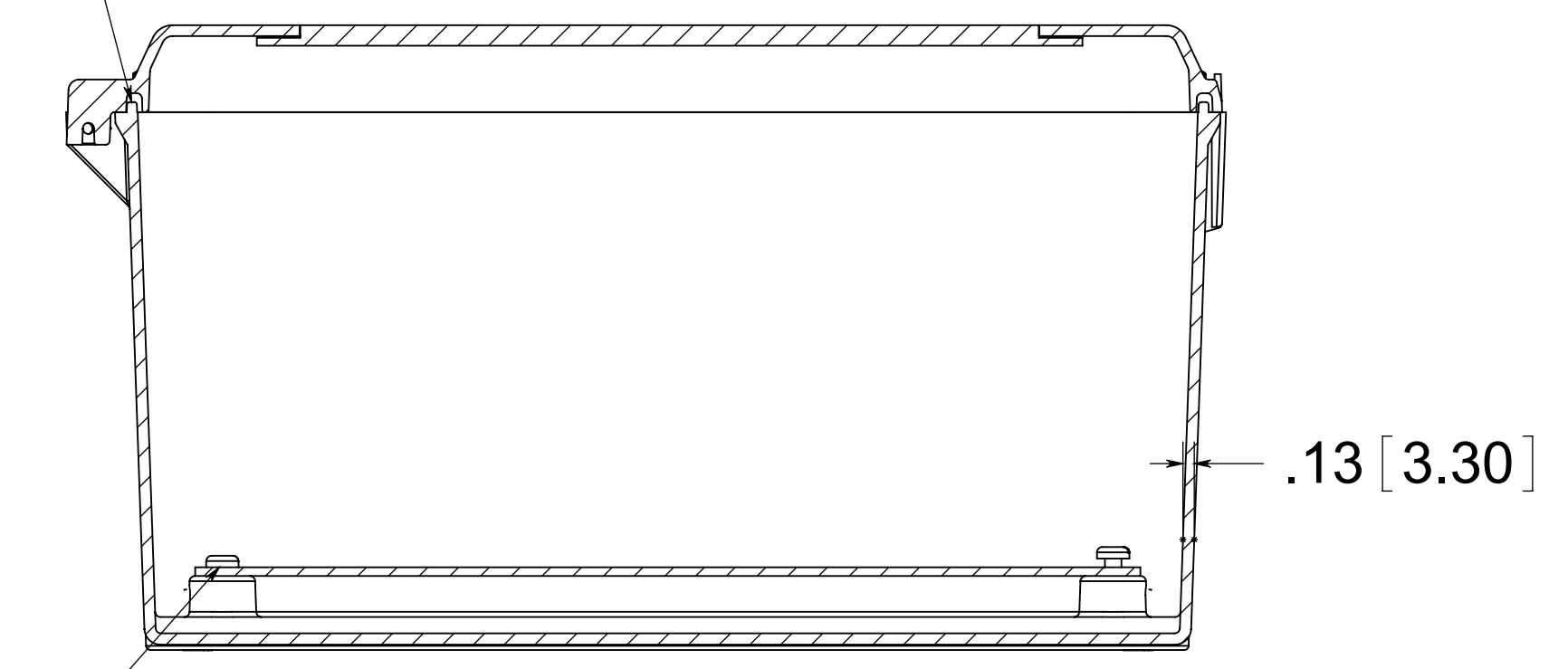
.10 [2.54]  
 6.00 [152.44]

(8) R.162 [4.10]

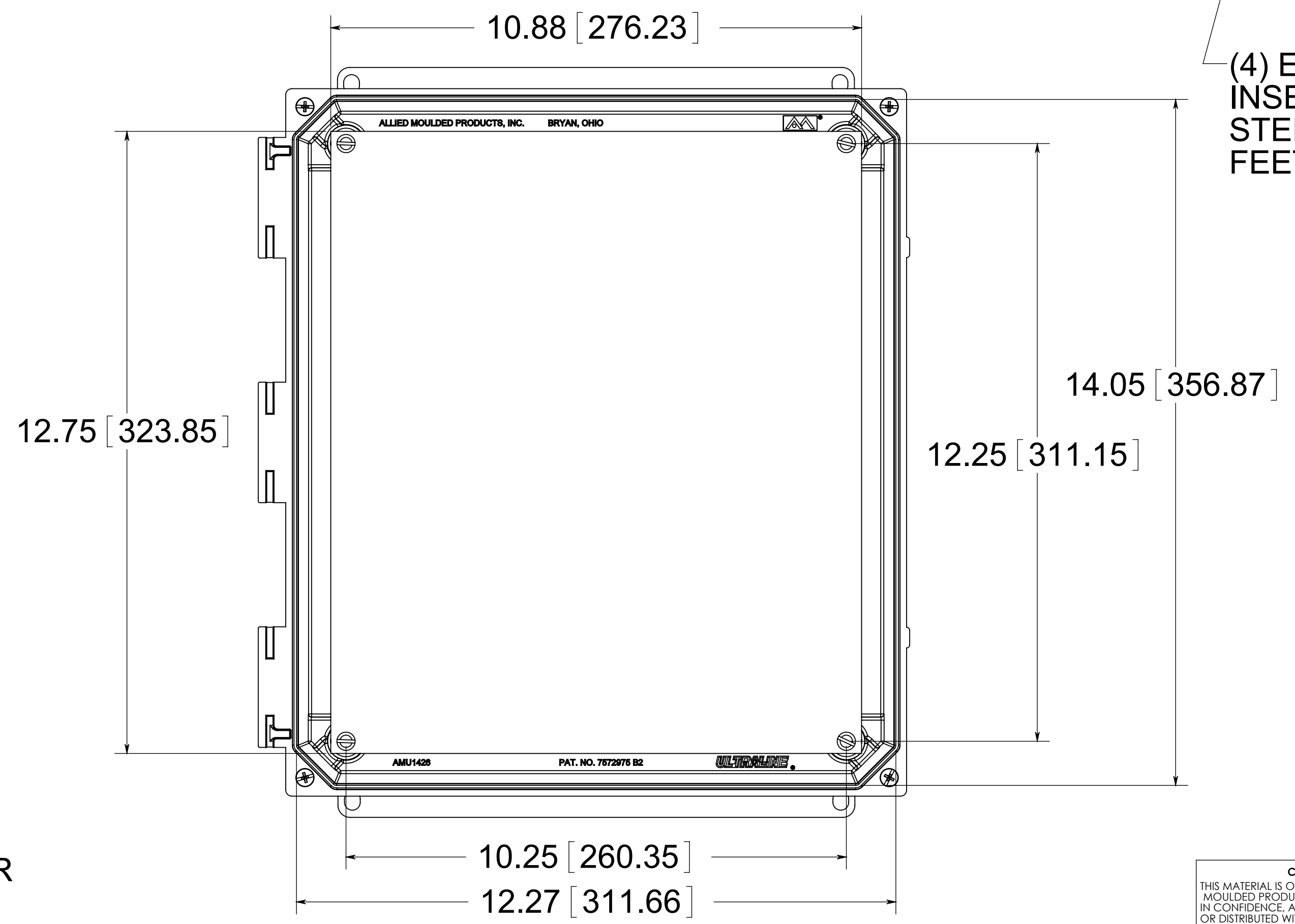
FRONT VIEW  
 WITH COVER REMOVED  
 AND BACK PANEL DISPLAYED

(4) EACH #10-32 BRASS INSERTS  
 AND STAINLESS STEEL  
 CAPTIVE COVER SCREWS  
 WITH RETAINING O-RING

CLOSED CELL  
 NEOPRENE  
 GASKET



(4) EACH #10-32 BRASS  
 INSERTS AND PLATED  
 CARBON STEEL SCREWS



(4) EACH #10-32 BRASS  
 INSERTS, AND STAINLESS  
 STEEL FLANGE AND  
 FEET SCREWS

MATERIAL:

BOX-COMPRESSION MOLDED FIBERGLASS REINFORCED POLYESTER  
 COVER- COMPRESSION MOLDED FIBERGLASS REINFORCED POLYESTER  
 CLEAR COVER AND WINDOWS- POLYCARBONATE

CONFIDENTIAL  
 THIS MATERIAL IS OWNED BY THE ALLIED  
 MOULDED PRODUCTS COMPANY, IS DISCLOSED  
 IN CONFIDENCE, AND IS NOT TO BE REPRODUCED  
 OR DISTRIBUTED WITHOUT PRIOR WRITTEN  
 PERMISSION FROM ALLIED MOULDED PRODUCTS.

ALLIED MOULDED PRODUCTS  
 BRYAN, OHIO  
 The Original Fiber Glass Outlet Box  
 Description  
**AMU Ultraline**  
 Part No.  
**AMU1426WF**