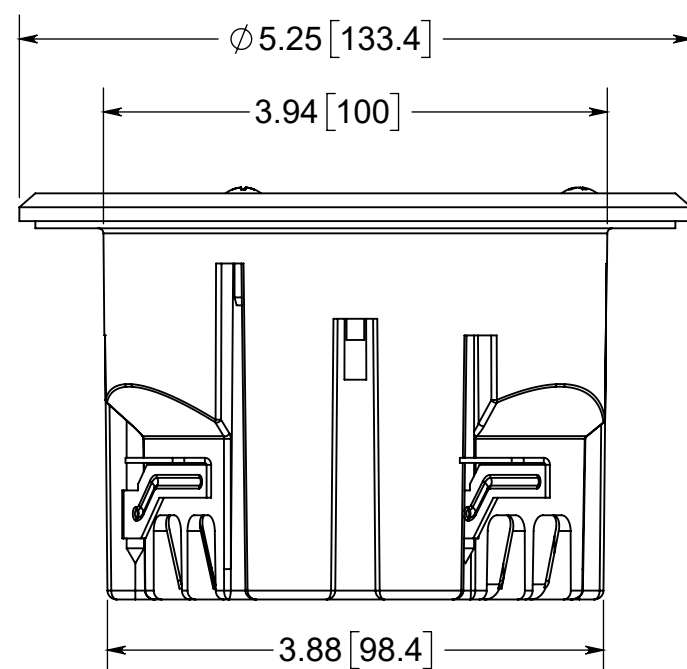
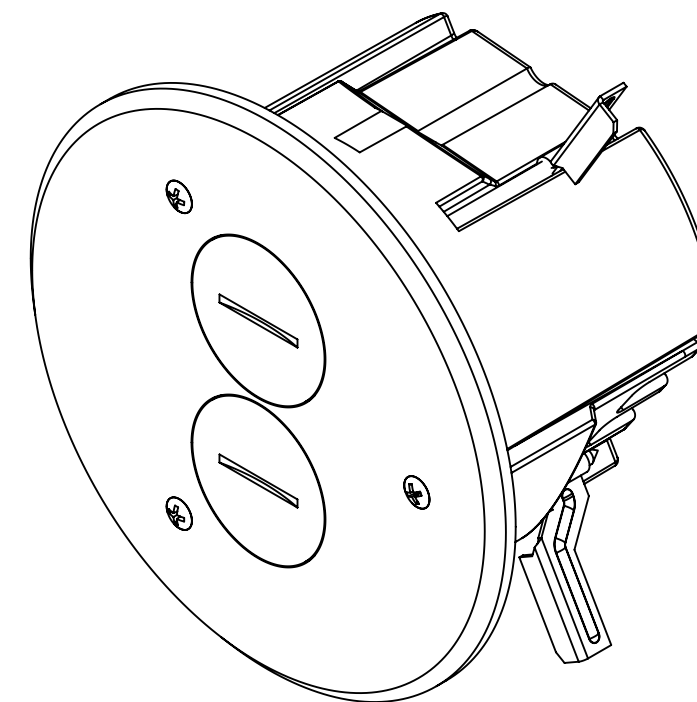
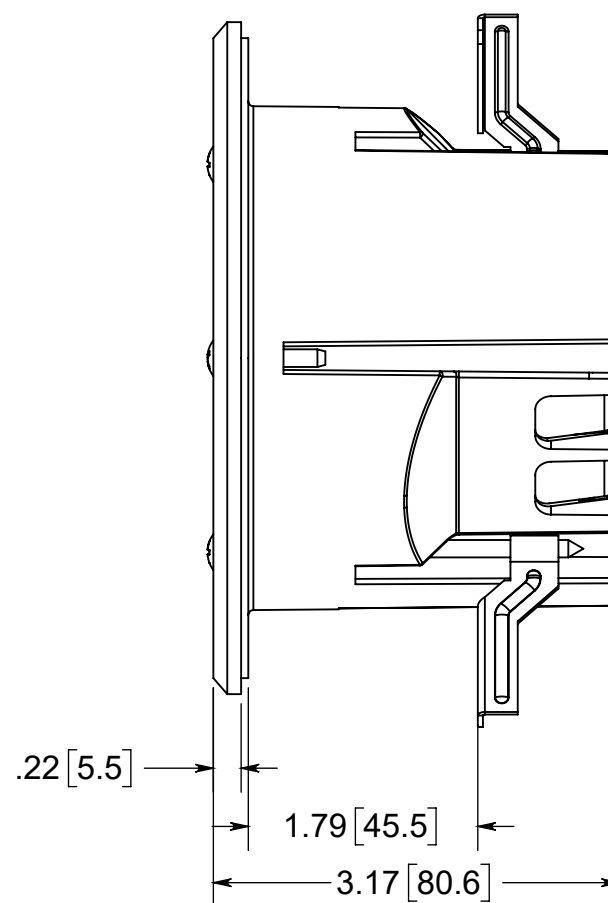
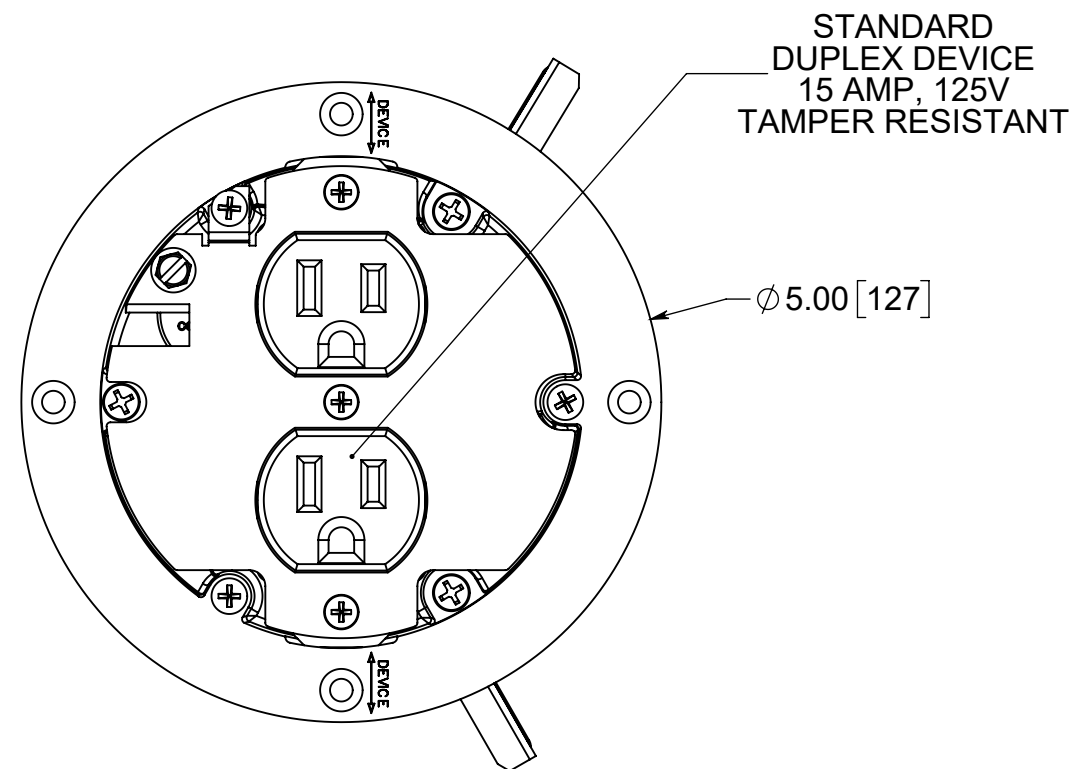


FLOOR BOX



NOTES:
 1.) BOX MATERIAL: POLYCARBONATE, COVER
 PLATE MATERIAL: DARK BRONZE PLATED BRASS,
 COVER PLATE MOUNTING SCREW MATERIALS:
 DARK BRONZE PLATED BRASS, DEVICE SCREW
 MATERIALS: ZINC PLATED STEEL, FLANGE
 MOUNTING SCREW MATERIAL: BLACK
 PHOSPHATE COATED STEEL WING MATERIAL:
 ZINC PLATED STEEL, GROUND PLATE MATERIAL:
 ZINC PLATED STEEL, GASKET MATERIALS:
 POLYURETHANE FOAM, O-RING MATERIAL:
 SILICONE
 2.) UL LISTED, FLOOR BOX MEETS UL514C SCRUB
 WATER EXCLUSION TEST

WARNING:
 This product can expose you to chemicals including
 lead, which is known to the State of California to cause
 cancer and birth defects or other reproductive harm.
 For more information go to www.P65Warnings.ca.gov.

 **ALLIED MOULDED PRODUCTS**
 BRYAN, OHIO
 The Original Fiber Glass Outlet Box

PRODUCT SERIES
ROUND FLIP LID FLOOR BOX 24.5 CU. IN.

Part No.
FB-3DB

CONFIDENTIAL
 THIS MATERIAL IS OWNED BY THE ALLIED MOULDED
 PRODUCTS COMPANY, IS DISCLOSED IN CONFIDENCE,
 AND IS NOT TO BE REPRODUCED OR DISTRIBUTED
 WITHOUT PRIOR WRITTEN PERMISSION FROM
 ALLIED MOULDED PRODUCTS.