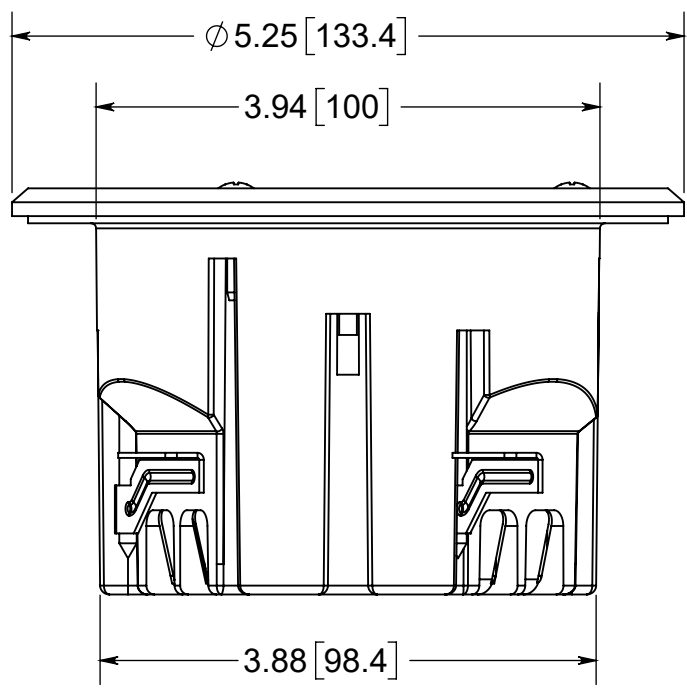
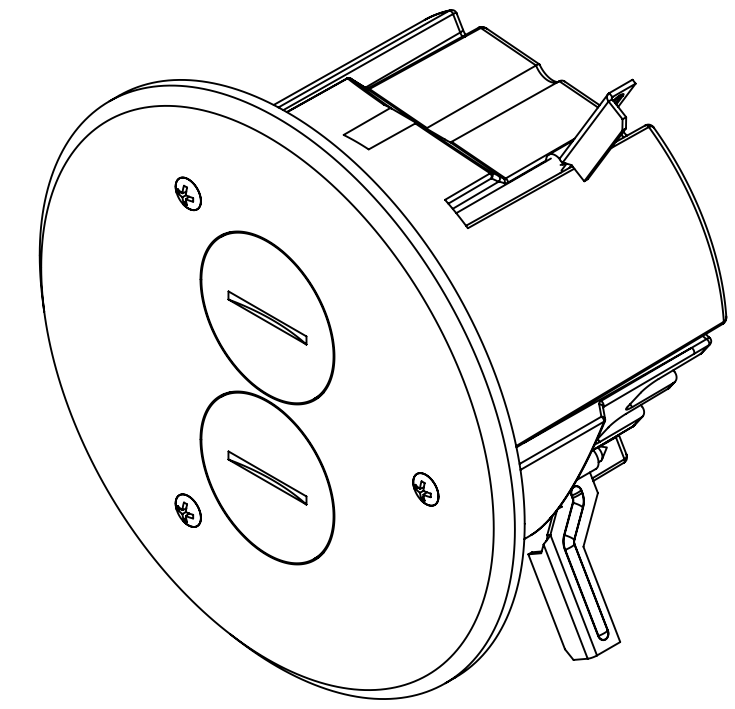
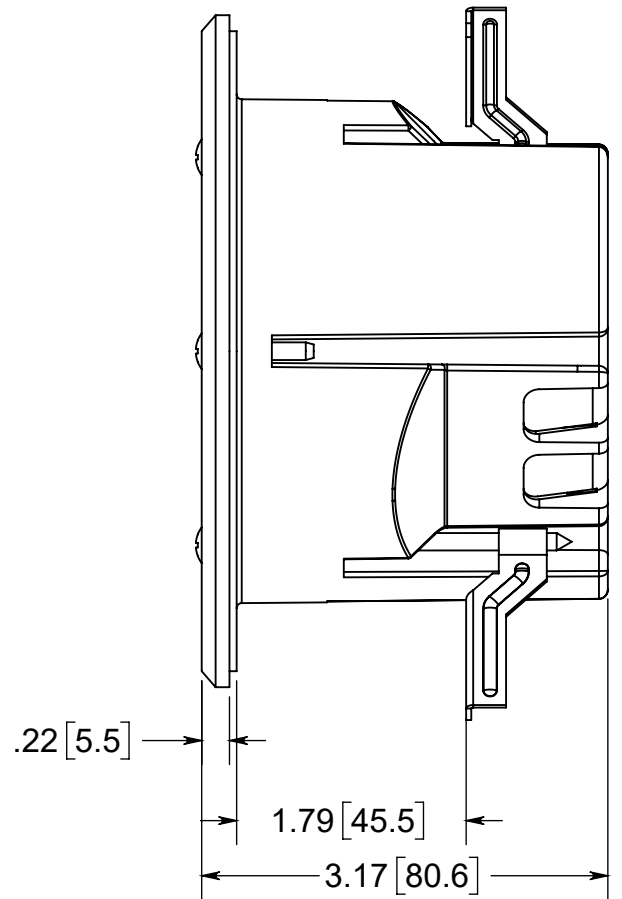
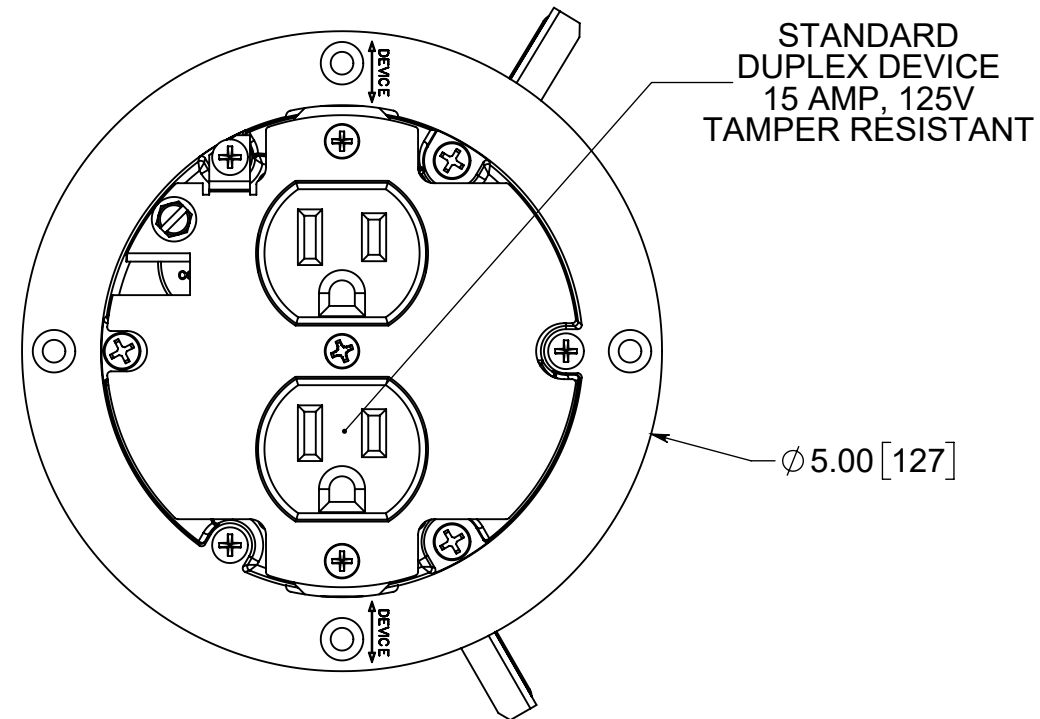


FLOOR BOX



NOTES:
 1.) BOX MATERIAL: POLYCARBONATE, COVER
 PLATE MATERIAL: NICKLE PLATED BRASS, COVER
 PLATE MOUNTING SCREW MATERIALS: NICKLE
 PLATED BRASS, DEVICE SCREW MATERIALS:
 ZINC PLATED STEEL, FLANGE MOUNTING SCREW
 MATERIAL: BLACK PHOSPHATE COATED STEEL
 WING MATERIAL: ZINC PLATED STEEL, GROUND
 PLATE MATERIAL: ZINC PLATED STEEL, GASKET
 MATERIALS: POLYURETHANE FOAM, O-RING
 MATERIAL: SILICONE
 2.) UL LISTED, FLOOR BOX MEETS UL514C SCRUB
 WATER EXCLUSION TEST

! WARNING:
 This product can expose you to chemicals including
 lead, which is known to the State of California to cause
 cancer and birth defects or other reproductive harm.
 For more information go to www.P65Warnings.ca.gov.

 **ALLIED MOULDED PRODUCTS**
 BRYAN, OHIO
 The Original Fiber Glass Outlet Box

PRODUCT SERIES
ROUND FLIP LID FLOOR BOX 24.5 CU. IN.

Part No.
FB-3N

CONFIDENTIAL
 THIS MATERIAL IS OWNED BY THE ALLIED MOULDED
 PRODUCTS COMPANY, IS DISCLOSED IN CONFIDENCE,
 AND IS NOT TO BE REPRODUCED OR DISTRIBUTED
 WITHOUT PRIOR WRITTEN PERMISSION FROM
 ALLIED MOULDED PRODUCTS.