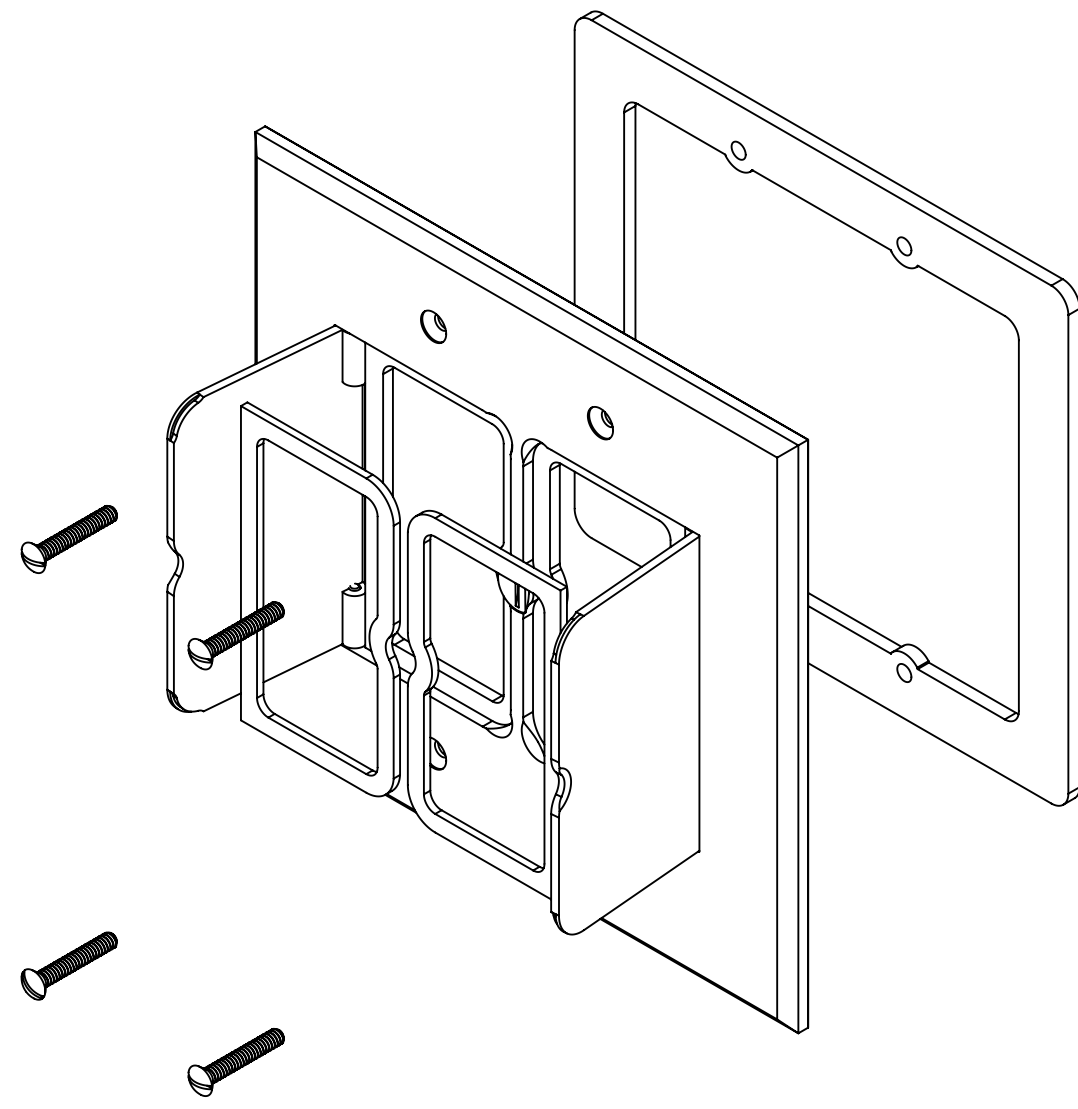
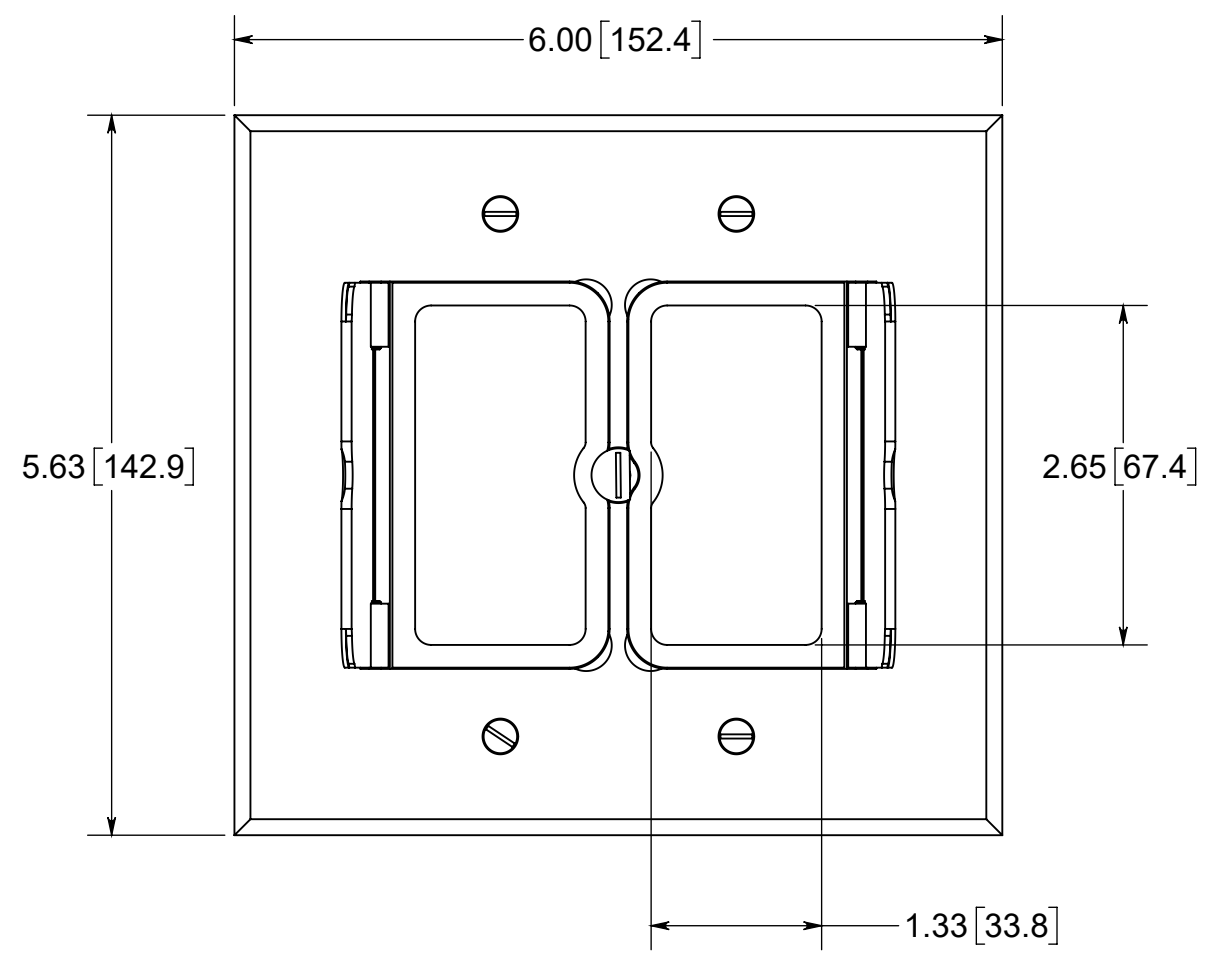


FLOOR BOX



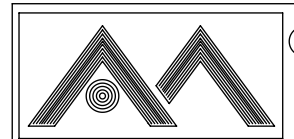
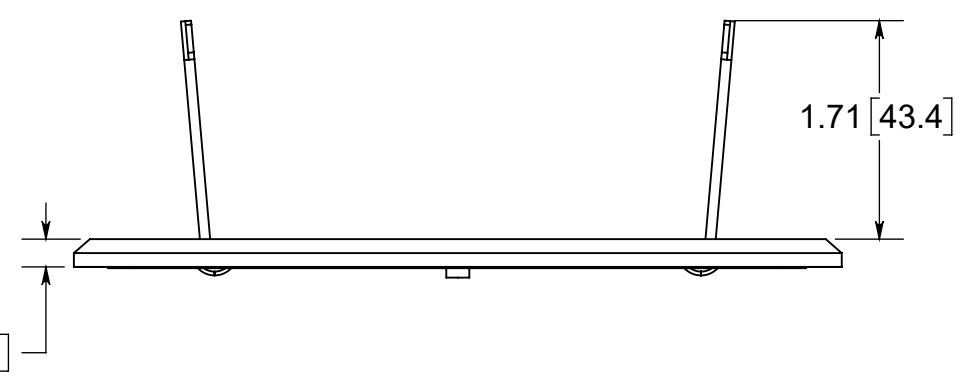
NOTES:

- 1.) COVER PLATE MATERIAL: BRASS, COVER PLATE MOUNTING SCREW MATERIAL: BRASS, GASKET MATERIALS: POLYURETHANE FOAM, O-RING MATERIAL: SILICONE
- 2.) WHEN USED WITH FB-5 FLOOR BOX IT IS UL LISTED, FLOOR BOX MEETS UL514C SCRUB WATER EXCLUSION TEST



WARNING:

This product can expose you to chemicals including lead, which is known to the State of California to cause cancer and birth defects or other reproductive harm. For more information go to www.P65Warnings.ca.gov.



ALLIED MOULDED PRODUCTS
BRYAN, OHIO

The Original Fiber Glass Outlet Box

PRODUCT SERIES

FB-5 FLOOR BOX REPLACEMENT COVER

Part No.

FB-5CVR

CONFIDENTIAL

THIS MATERIAL IS OWNED BY THE ALLIED MOULDED PRODUCTS COMPANY, IS DISCLOSED IN CONFIDENCE, AND IS NOT TO BE REPRODUCED OR DISTRIBUTED WITHOUT PRIOR WRITTEN PERMISSION FROM ALLIED MOULDED PRODUCTS.