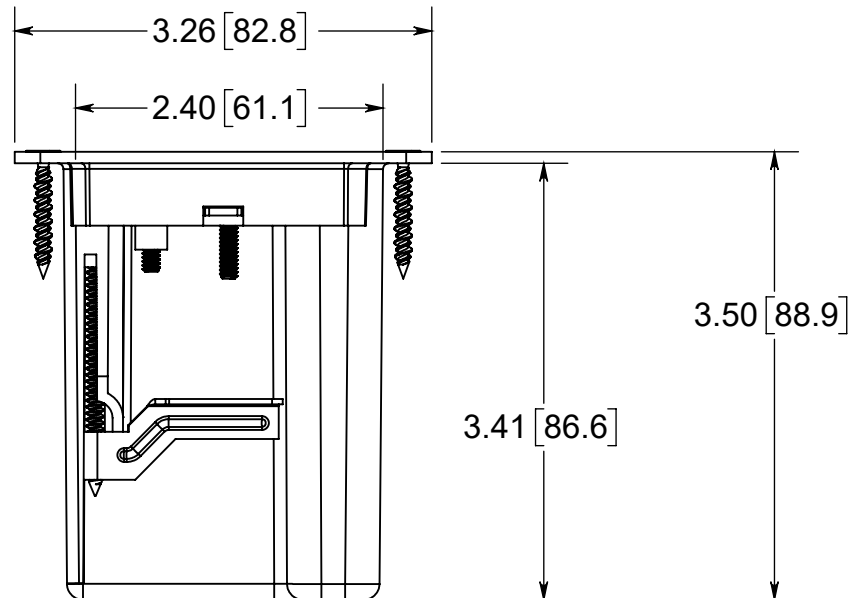
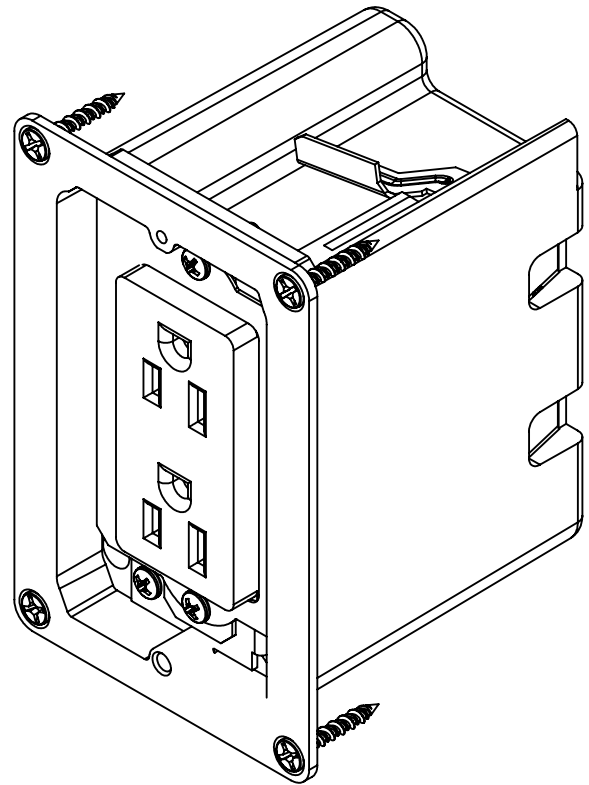
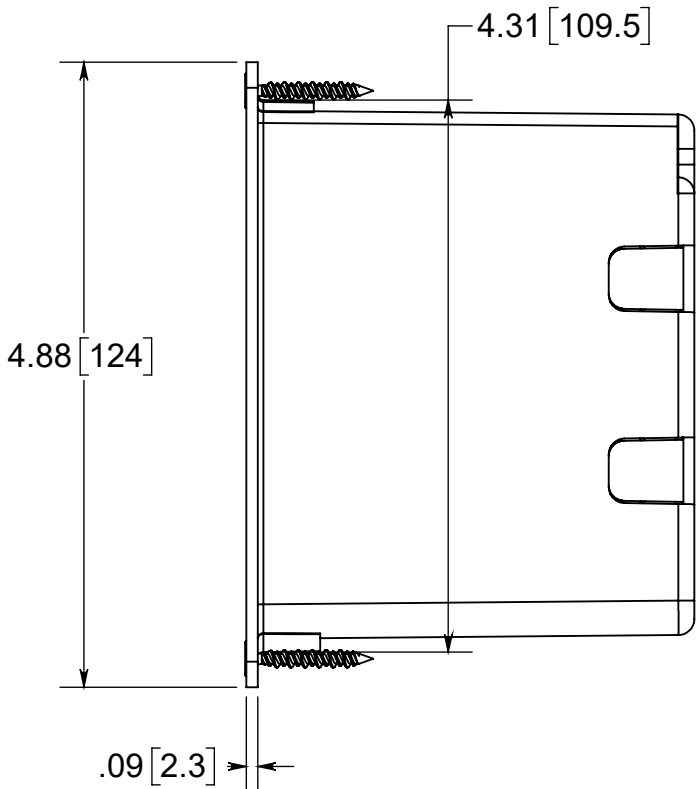
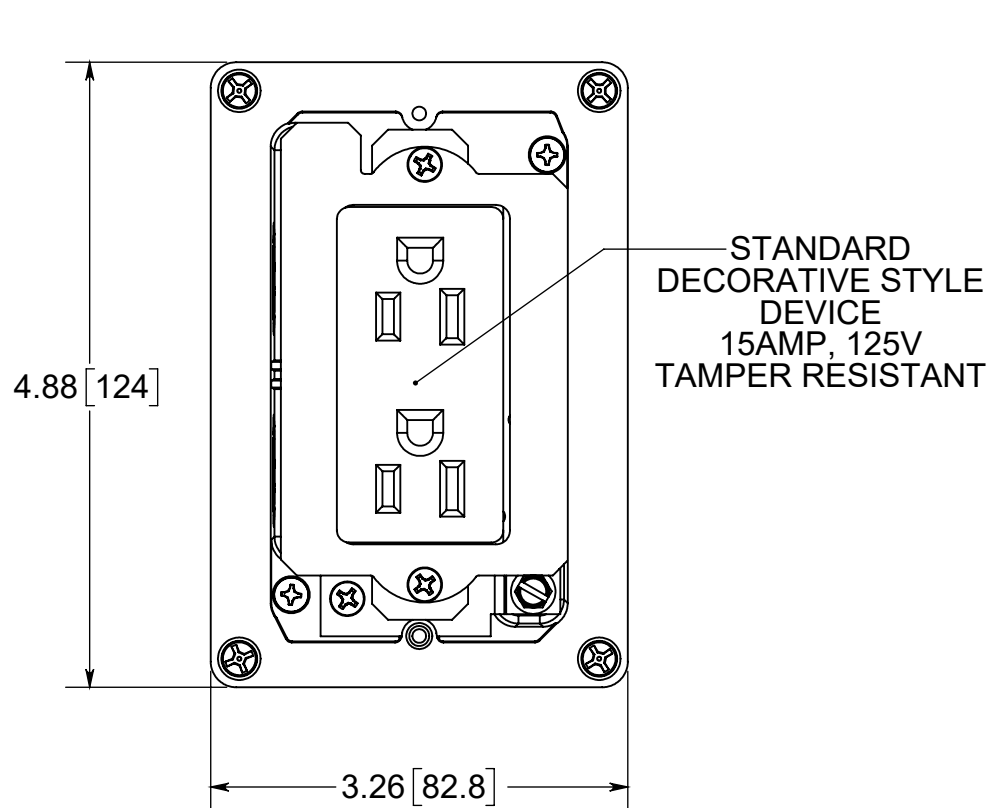


FLOOR BOX



NOTES:
 1.) BOX MATERIAL: POLYCARBONATE, DEVICE MOUNTING SCREW MATERIALS: ZINC PLATED STEEL, FLANGE MOUNTING SCREW MATERIALS: BLACK PHOSPHATE COATED STEEL WING MATERIAL: ZINC PLATED STEEL, GROUND PLATE MATERIAL: ZINC PLATED STEEL,
 2.) WHEN USED WITH FB-6 COVERS IT IS UL LISTED, FLOOR BOX MEETS UL514C SCRUB WATER EXCLUSION TEST

THIS MODEL CAN BE CONFIGURED WITH ANY OF THE FOLLOWING COVERS: FB-6CVR, FB-6NCVR, FB-6DBCVR

CONFIDENTIAL
 THIS MATERIAL IS OWNED BY THE ALLIED MOULDED PRODUCTS COMPANY, IS DISCLOSED IN CONFIDENCE AND IS NOT TO BE REPRODUCED OR DISTRIBUTED WITHOUT PRIOR WRITTEN PERMISSION FROM ALLIED MOULDED PRODUCTS.
 ©2018 Allied Moulded Products, Inc.
 All Rights Reserved



ALLIED MOULDED PRODUCTS
 BRYAN, OHIO
 The Original Fiber Glass Outlet Box

PRODUCT SERIES

SINGLE GANG FLOOR BOX 24.5 CU.IN.

Part No.

FB-6RI