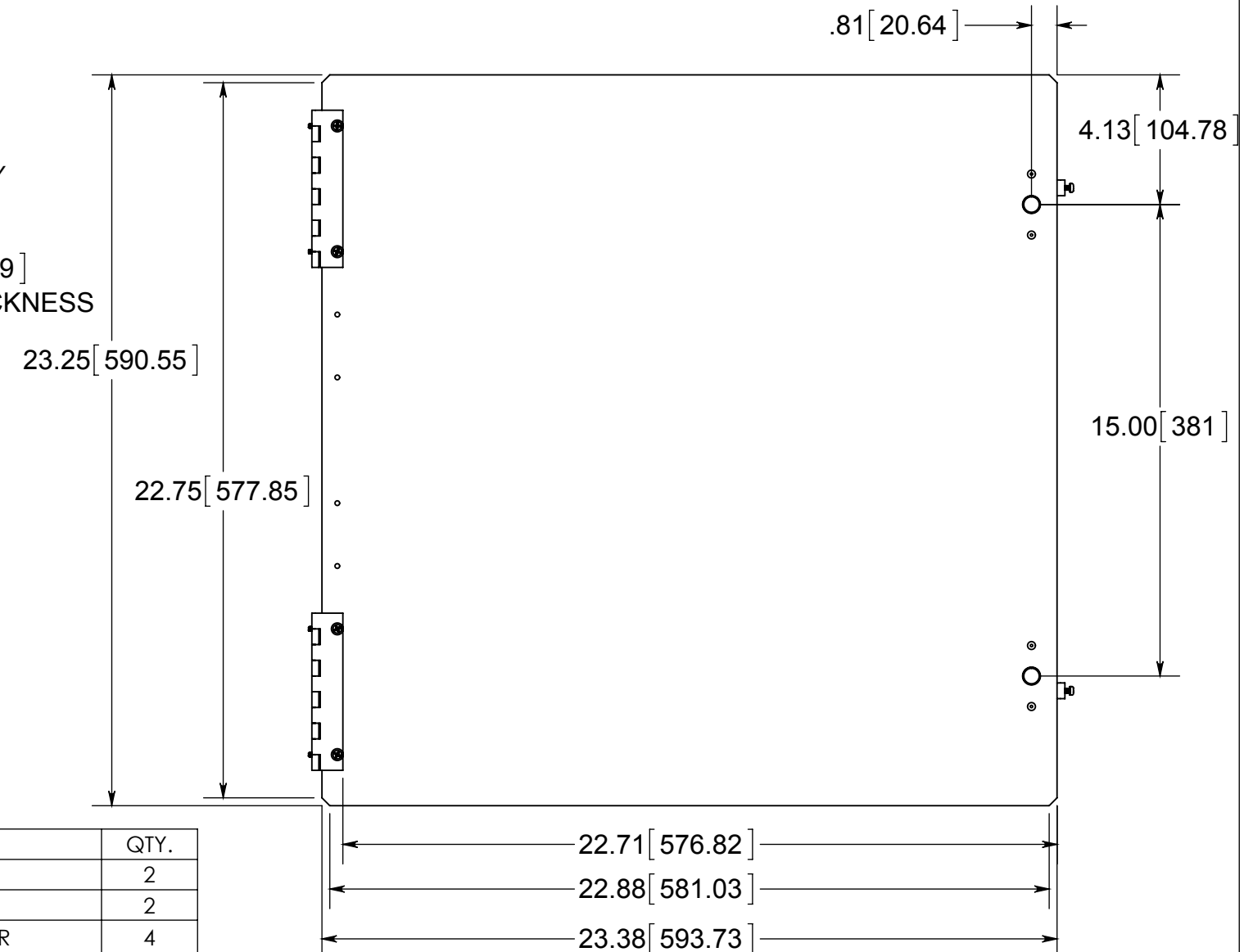
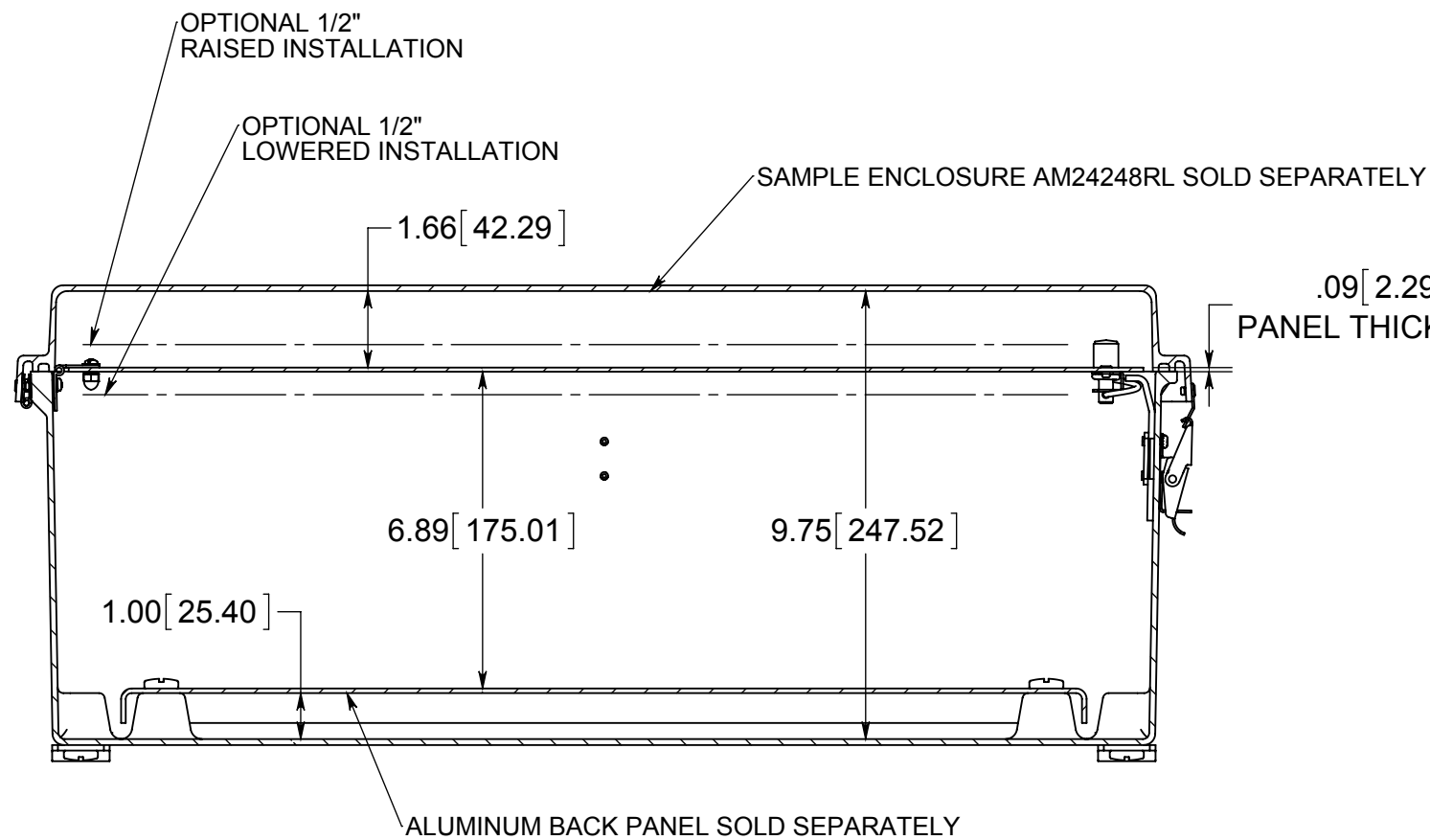


PANEL DIMENSIONS ONLY



NOT ALL PARTS OF THE HFP ASSEMBLY KIT ARE SHOWN, ONLY THE PARTS USED IN THE FLUSH INSTALLATION OF THE PANEL. FOLLOW INSTALLATION INSTRUCTIONS INCLUDED IN THE KIT FOR THE OPTIONAL PANEL MOUNTING.

ITEM NO.	PART NUMBER	DESCRIPTION	QTY.
1	70-60859	PANEL STOP	2
2	70-60861	SPRING LATCH	2
3	70-60431316	#6 FLAT WASHER	4
4	70-60426	#6 LOCK WASHER	4
5	70-60511316	RIVET, BLIND, #43 (.125-.188 GRIP RANGE)	4
6	70-60428316	#6-32X.375 COMBO PAN HEAD MACHINE SCREW	4
7	70-632316	PAN HEAD EXTERNAL SEMS SCREW	4
8	70-632716316REV	#6-32 x .4375 316SS W GRVD SILICONE ORING PN VEIT	4
9	70-60425	ACORN CAP NUT EXTRA SHORT	4
10	70-60839-1	Swing Panel, 24x24, aluminum	1
11	70-60804a	PANEL HINGE-5"-FLANGE A	2
12	70-60804b	PANEL HINGE-5"-FLANGE B	2
13	70-632DUALNUT	#6-32 DUAL NUT	2
14	AM24248RL	Control	1

DUAL NUT NOT INCLUDED IN HFP ASSEMBLY PACKAGE

CONFIDENTIAL
 THIS MATERIAL IS OWNED BY THE ALLIED MOULDED PRODUCTS COMPANY, IS DISCLOSED IN CONFIDENCE, AND IS NOT TO BE REPRODUCED OR DISTRIBUTED WITHOUT PRIOR WRITTEN PERMISSION FROM ALLIED MOULDED PRODUCTS.



PRODUCT SERIES

Access-Indus

Part No.

HFP2424