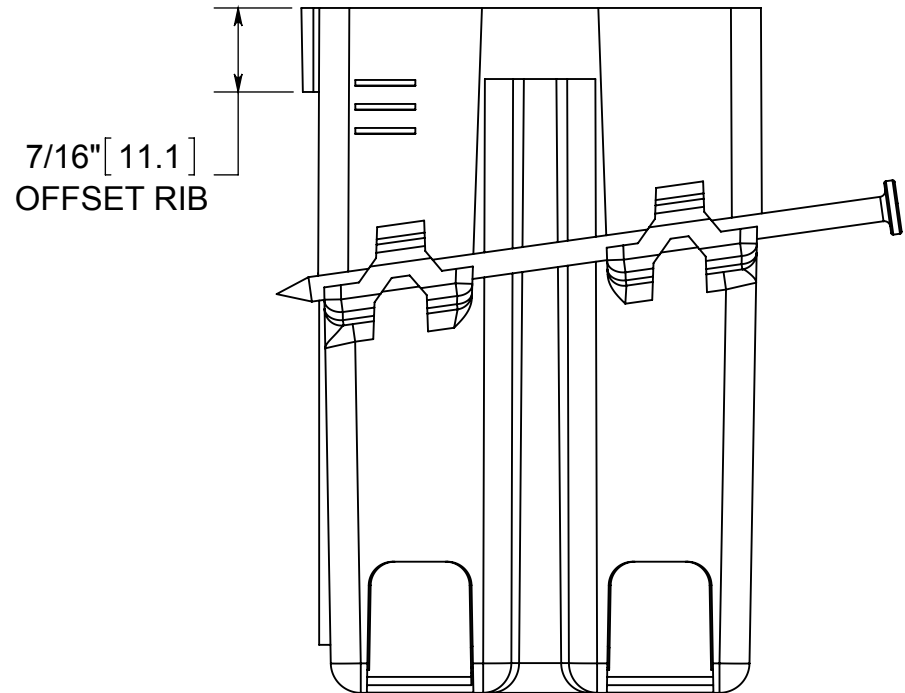
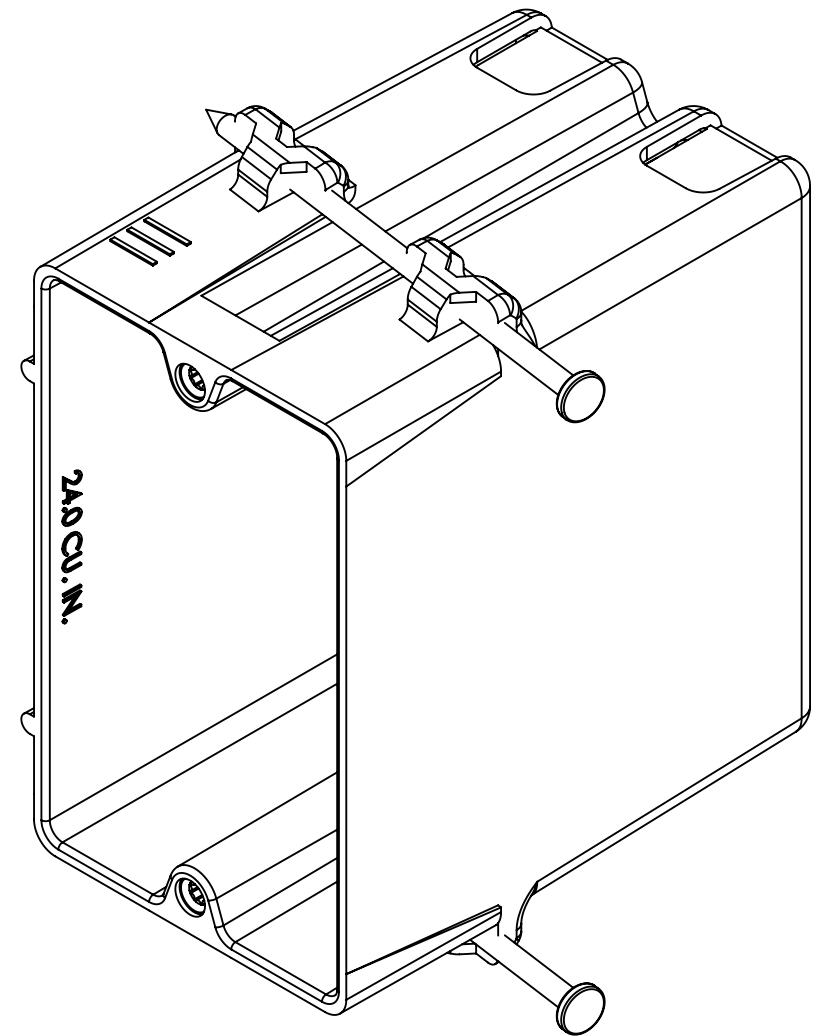
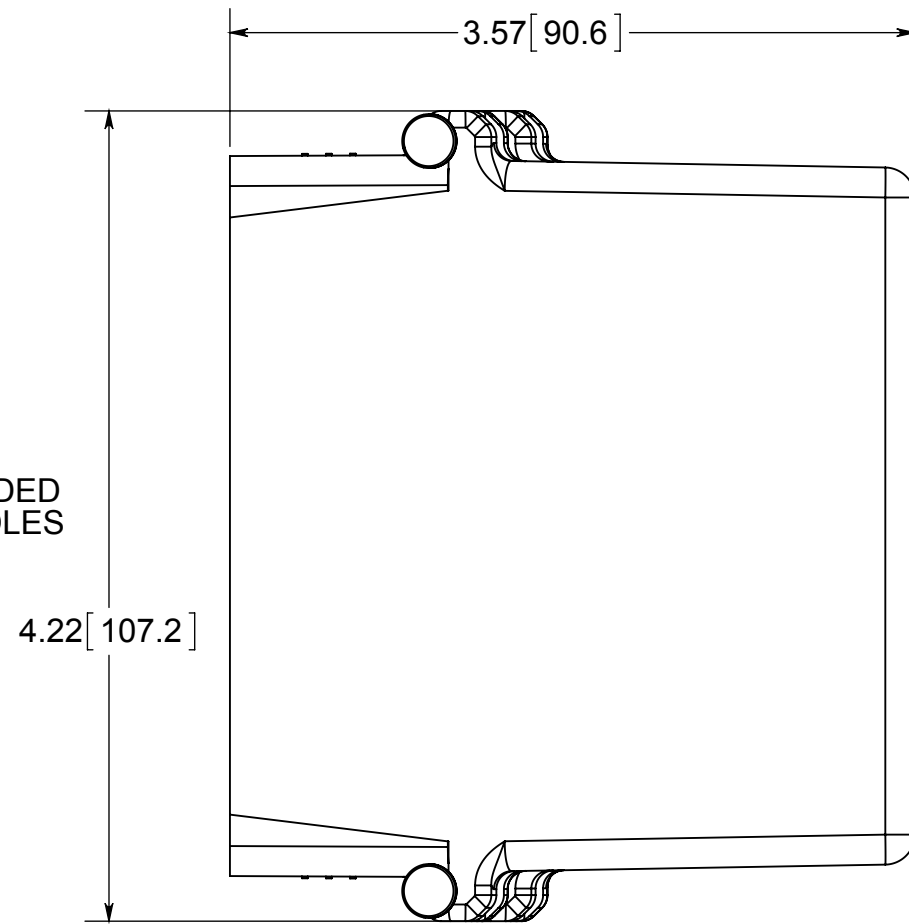
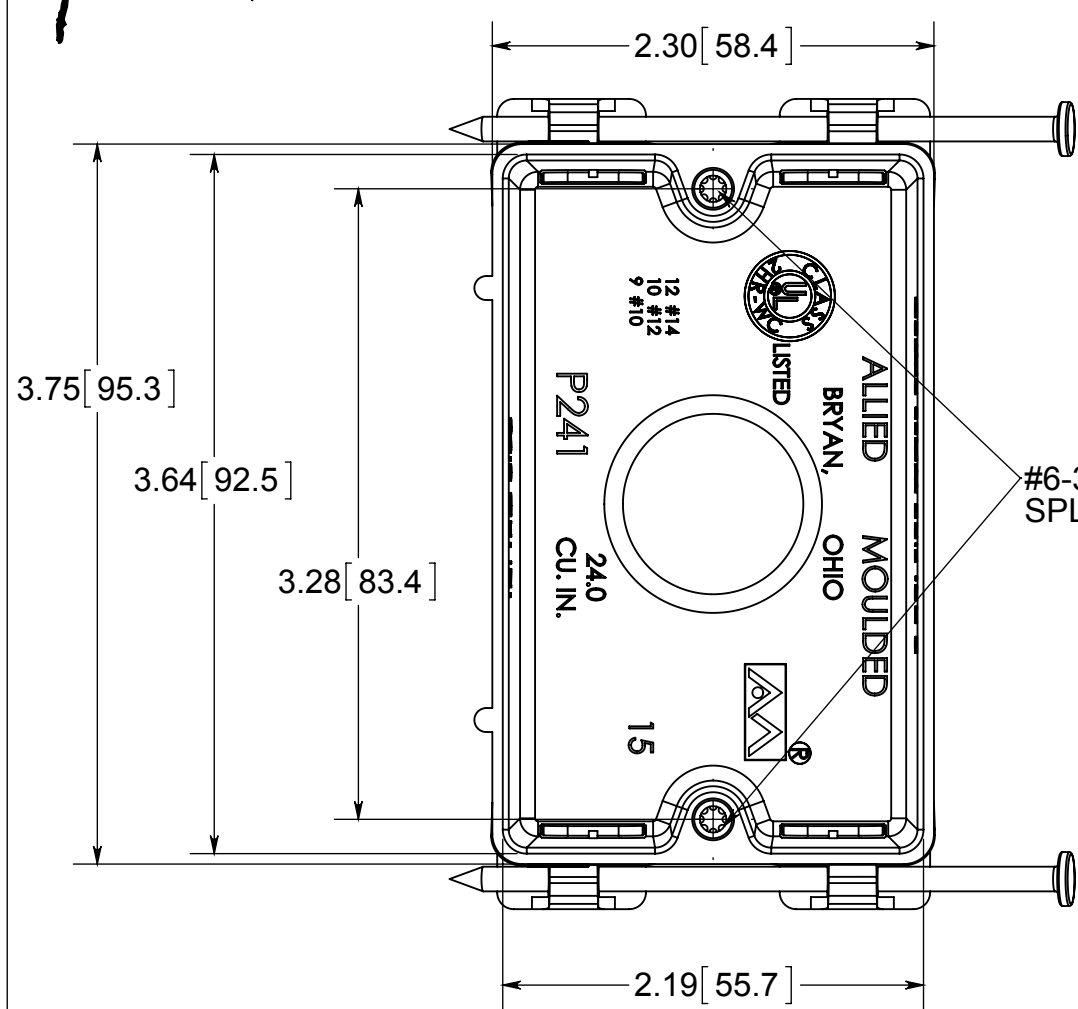


flexBOX[®]

ISSUE DATE: 05/14/2015



- NOTES:
 1.) BOX MATERIAL: PVC, NAIL MATERIAL: PLATED CARBON STEEL
 2.) UL LISTED WITH 2 HOUR FIRE RATING FOR WALL AND CEILING

 **ALLIED MOULDED PRODUCTS**
 BRYAN, OHIO
 The Original Fiber Glass Outlet Box

PRODUCT SERIES
SINGLE GANG 24.0 CU. IN.

Part No.
P-241

CONFIDENTIAL
 THIS MATERIAL IS OWNED BY THE ALLIED MOULDED PRODUCTS COMPANY, IS DISCLOSED IN CONFIDENCE, AND IS NOT TO BE REPRODUCED OR DISTRIBUTED WITHOUT PRIOR WRITTEN PERMISSION FROM ALLIED MOULDED PRODUCTS.