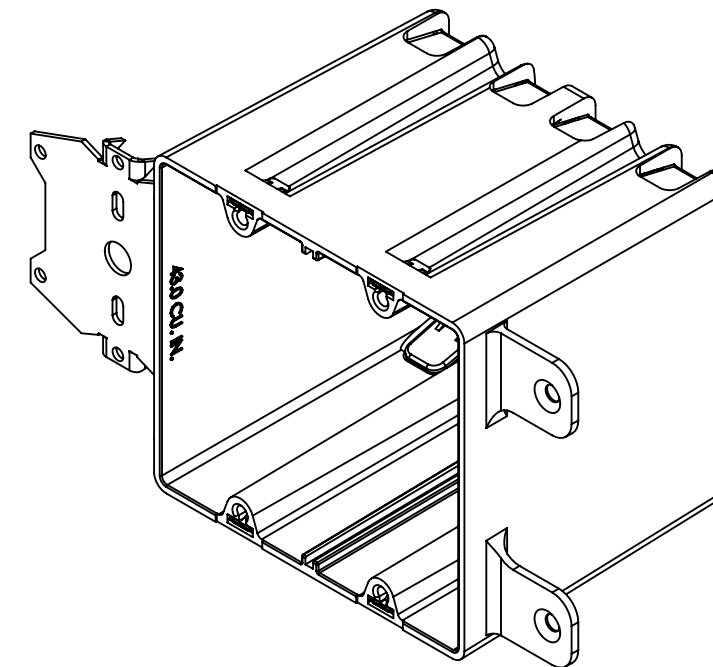
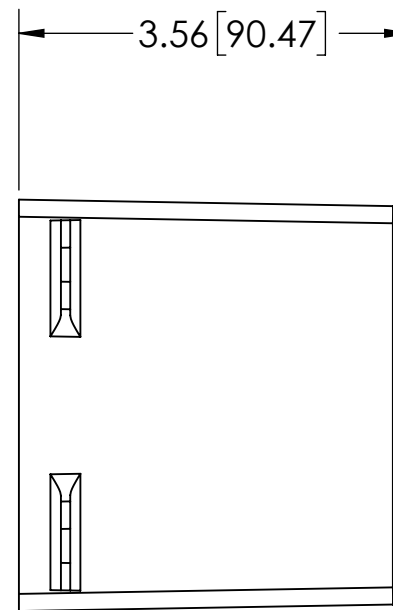
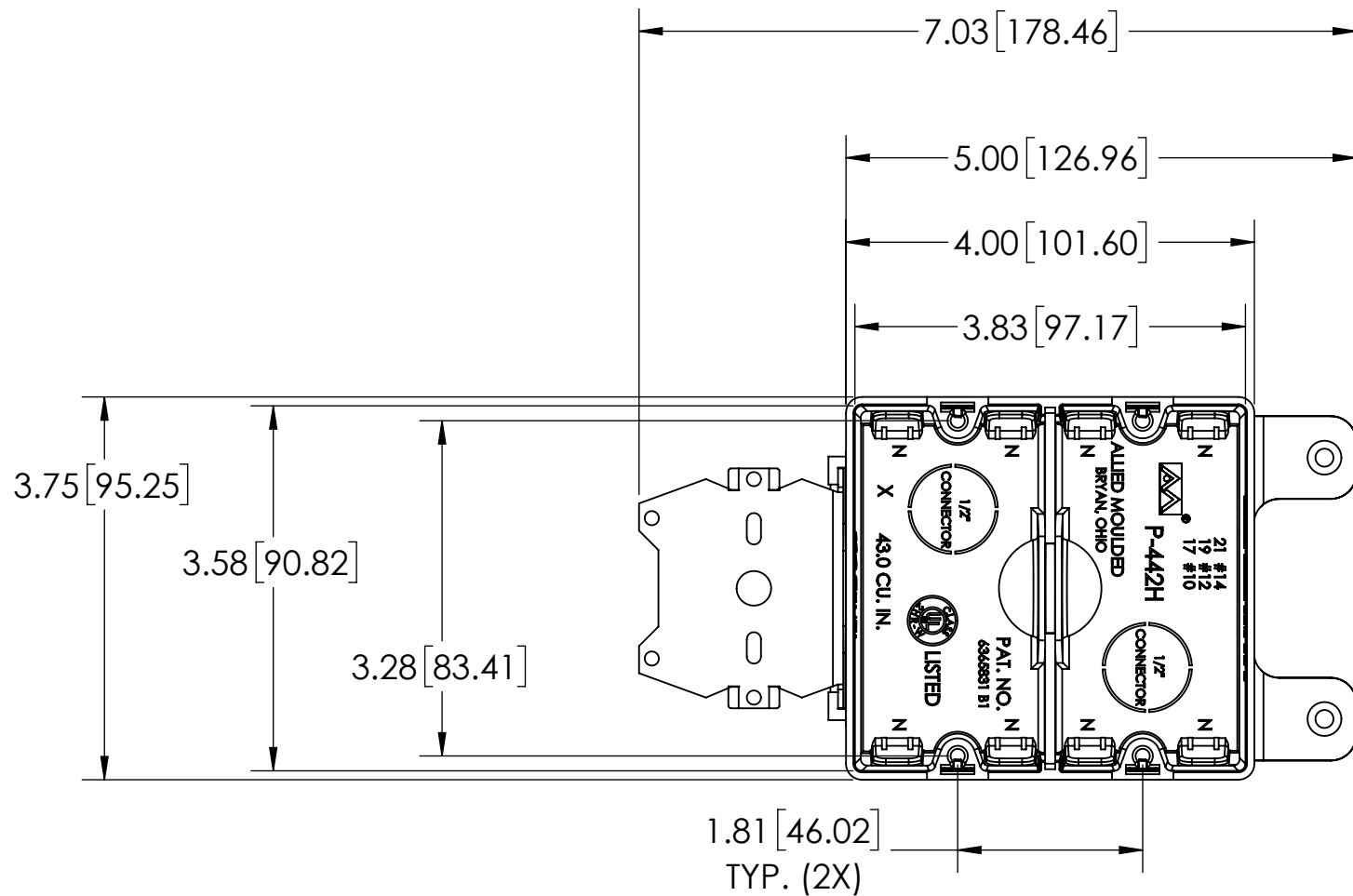
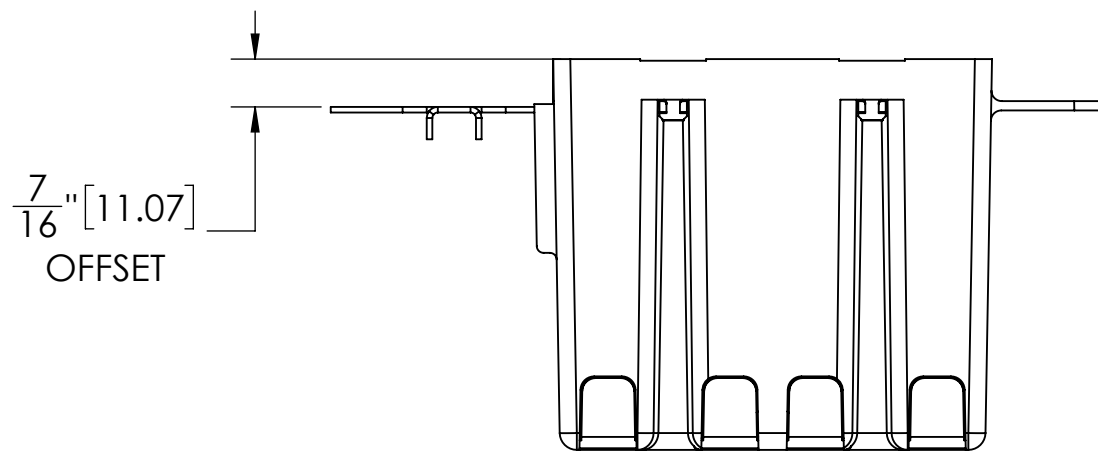


flexBOX®



- NOTES:
- 1.) BOX MATERIAL: POLYCARBONATE, MOUNTING HANGER MATERIAL: GALVANIZED STEEL, QUICK THREAD MATERIAL: GALVANIZED STEEL.
 - 2.) UL LISTED WITH 2 HOUR FIRE RATING FOR WALL
 - 3.) ACCEPTS LVP-2 LOW VOLTAGE PARTITION
 - 4.) DATA SUBJECT TO CHANGE WITHOUT NOTICE



 **ALLIED MOULDED PRODUCTS**
BRYAN, OHIO
The Original Fiber Glass Outlet Box

PRODUCT SERIES
2 GANG 43.0 CU. IN.

Part No.
P-442HQQT

CONFIDENTIAL
THIS MATERIAL IS OWNED BY THE ALLIED MOULDED PRODUCTS COMPANY, IS DISCLOSED IN CONFIDENCE, AND IS NOT TO BE REPRODUCED OR DISTRIBUTED WITHOUT PRIOR WRITTEN PERMISSION FROM ALLIED MOULDED PRODUCTS.