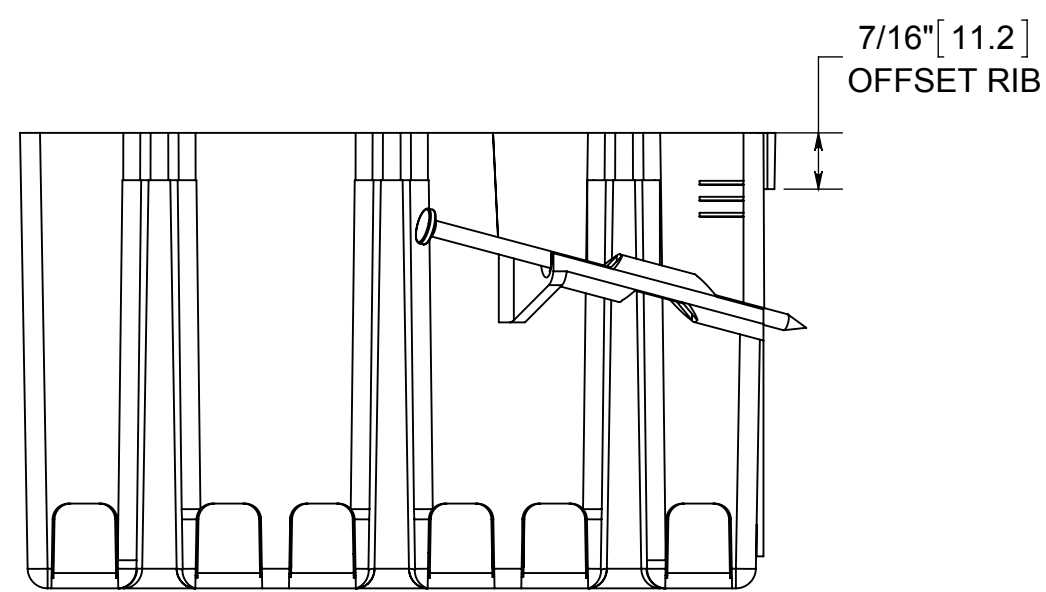
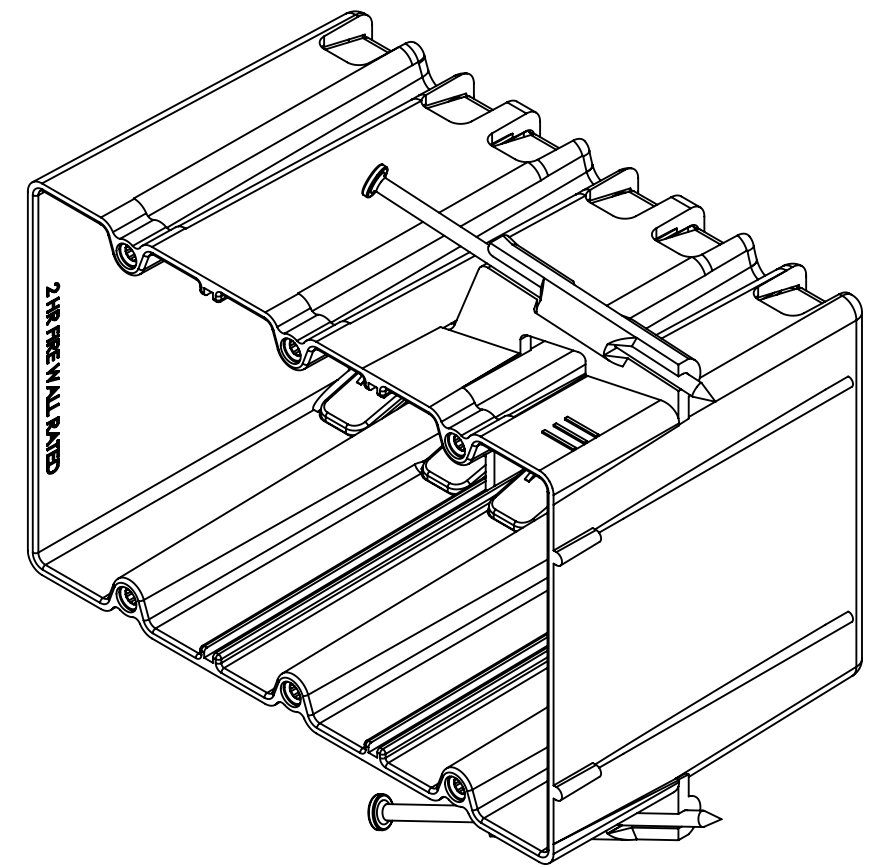
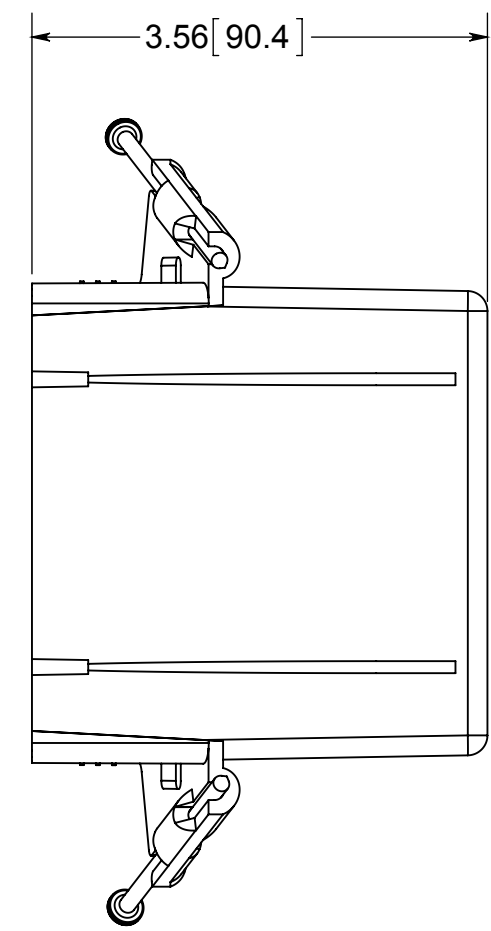
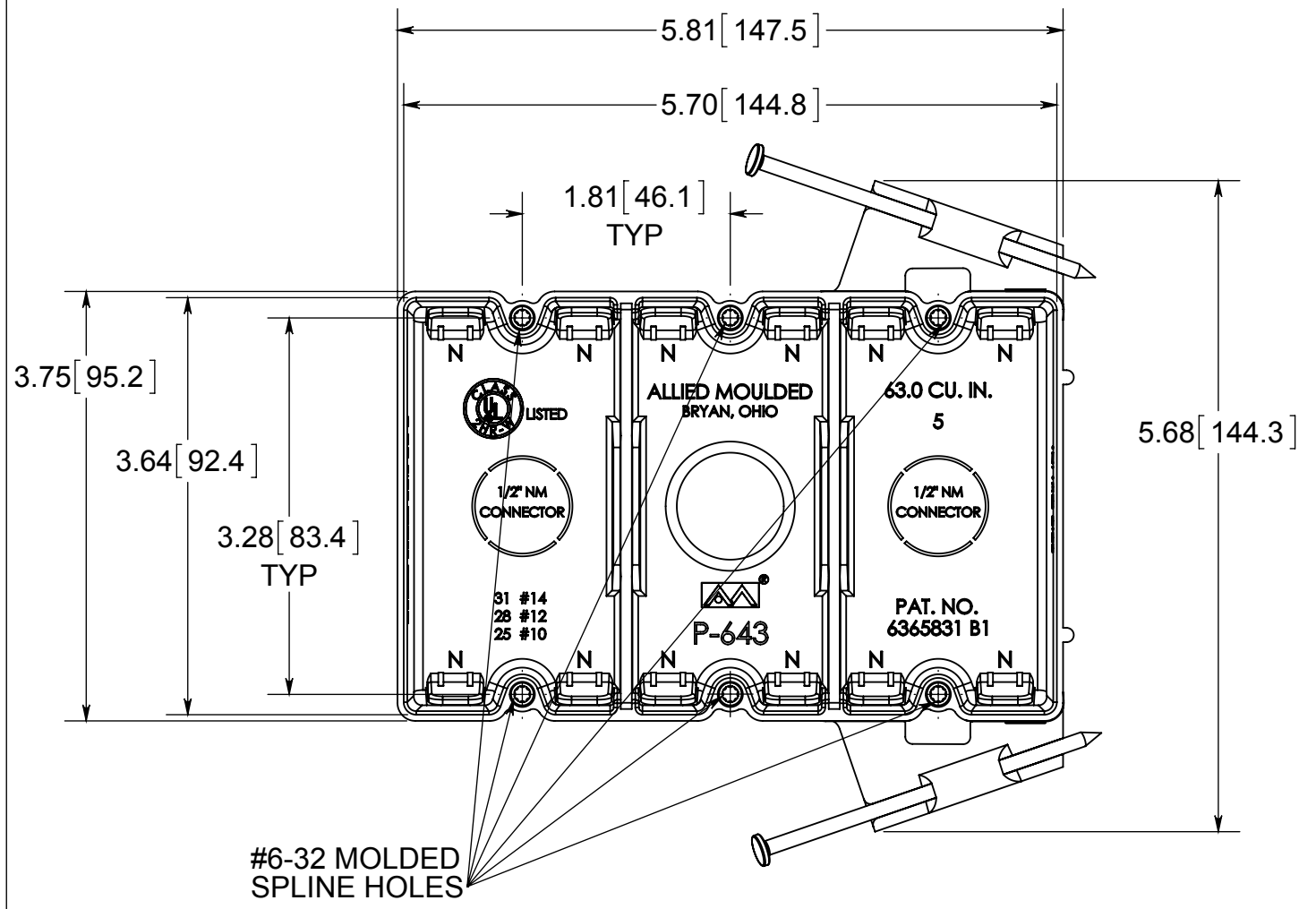


AlexBOX[®]

ISSUE DATE: 05/15/2015



- NOTES:
1.) BOX MATERIAL: POLYCARBONATE, NAIL MATERIAL: PLATED CARBON STEEL
2.) UL LISTED WITH 2 HOUR FIRE RATING FOR WALL
3.) ACCEPTS LVP-2 LOW VOLTAGE PARTITION

 **ALLIED MOULDED PRODUCTS**
BRYAN, OHIO
The Original Fiber Glass Outlet Box

PRODUCT SERIES
THREE GANG 63.0 CU. IN.

Part No. **P-643**

CONFIDENTIAL
THIS MATERIAL IS OWNED BY THE ALLIED MOULDED PRODUCTS COMPANY, IS DISCLOSED IN CONFIDENCE, AND IS NOT TO BE REPRODUCED OR DISTRIBUTED WITHOUT PRIOR WRITTEN PERMISSION FROM ALLIED MOULDED PRODUCTS.