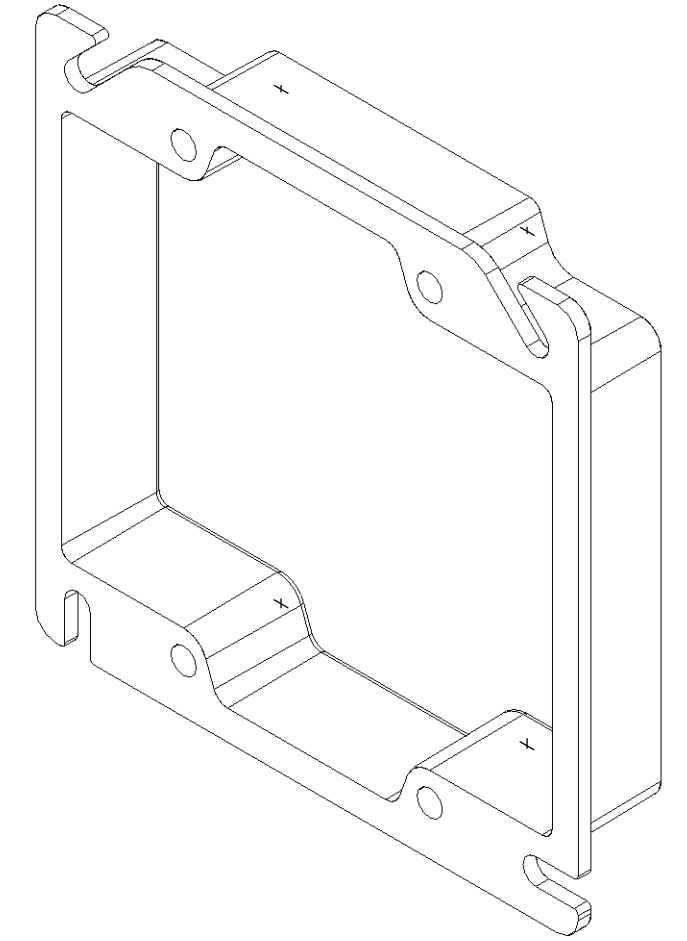
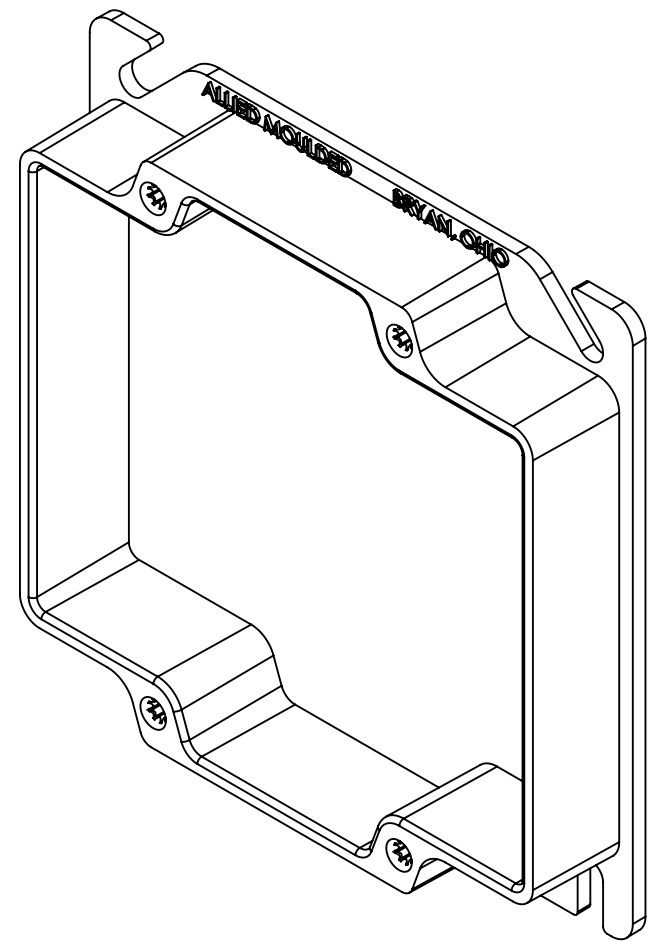
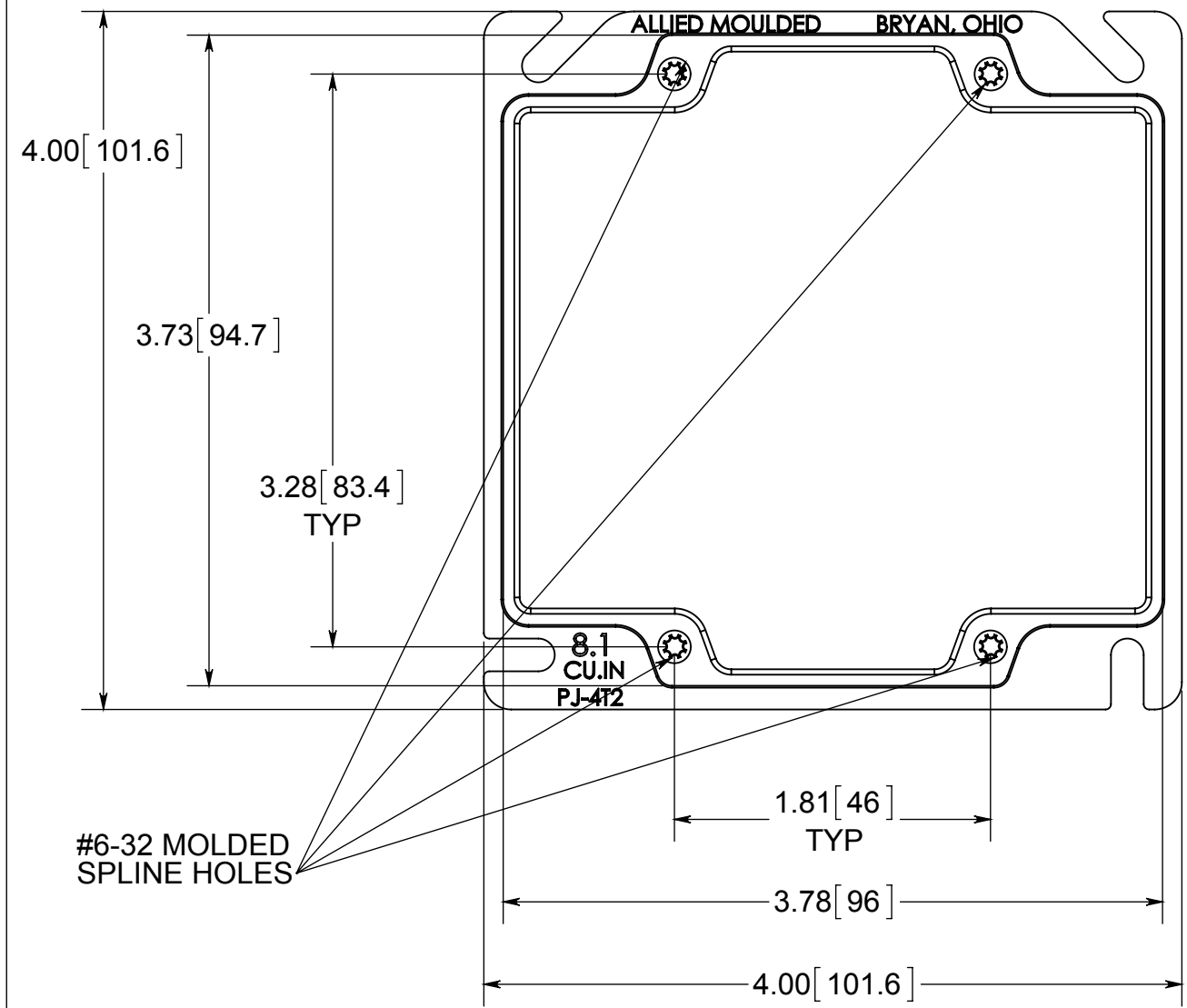
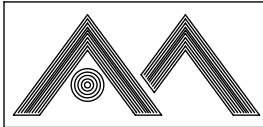


flexBOX®

ISSUE DATE: 06/05/2015



- 1.) BOX MATERIAL: PVC
- 2.) UL LISTED

	ALLIED MOULDED PRODUCTS BRYAN, OHIO The Original Fiber Glass Outlet Box
	PRODUCT SERIES TWO GANG PLASTER RING 8.1 CU. IN.
Part No.	PJ-4T2

CONFIDENTIAL
 THIS MATERIAL IS OWNED BY THE ALLIED MOULDED PRODUCTS COMPANY, IS DISCLOSED IN CONFIDENCE, AND IS NOT TO BE REPRODUCED OR DISTRIBUTED WITHOUT PRIOR WRITTEN PERMISSION FROM ALLIED MOULDED PRODUCTS.