



## Shallow Depth Polycarbonate Enclosures

Base P/N's AMP1082 & AMP1204

The newest additions to the POLYLINE® Series of enclosures, 10" x 8" x 2" and 12" x 10" x 4", offer standard features such as multi-mounting capability with your choice of a mounting flange or adjustable mounting feet. A clear polycarbonate cover option allows viewing of critical electronic instrumentation, while providing protection in harsh environments.

Featuring metallic or nonmetallic latches, molded-in latch keepers and mounting bosses, and a tongue-and-groove seal joint between cover and base, POLYLINE is the premier solution in polycarbonate enclosures.



### APPLICATION

- Designed to insulate and protect controls and components in both indoor and outdoor applications often found in industrial control panels, pump controls/waste water treatment, irrigation/water control, solar/wind, and chemical plants
- Light weight, impact resistant and good corrosion resistance for many industrial enclosure applications and a great alternative to metallic enclosures
- Protects from dirt, dust, oil and water

### STANDARDS

- UL 50 and UL 50E Types 1, 2, 3, 3R, 4, 4X, 6P (screw cover only), 12 & 13
- CSA C22.2 No. 94 Types 1, 2, 3, 3R, 4, 4X, 6P (screw cover only), 12 & 13
- Complies with
  - NEMA Types 1, 2, 3, 3R, 4, 4X, 6P (screw cover only), 12 & 13
  - IEC 60529 Type IP66
  - IEC 60529 Type IP68 submersible up to 24 hours at a depth of 6 feet (1.8 meters) [screw cover only]
  - RoHS directive

### CONSTRUCTION

- Injection molded polycarbonate thermoplastic – opaque cover, enclosure base, nonmetal snap latches, feet & flanges
- Opaque cover, enclosure base, feet, and flanges – Light gray color (RAL 7035)  
*Note: flanged models are pre-assembled; if requested, foot mounting hardware supplied in a bag*
- 316 stainless steel captive cover screws, metal snap latches and foot/flange mounting hardware
- Cover seal – Formed-In-Place (FIP) polyurethane gasket system
- #10-32 threaded brass inserts are installed for optional back panel mounting

*The metal latch option for the AMP1082 size features a reverse design, to accommodate the shallow box depth.*



### ACCESSORIES

- Back panel kits
  - Fixed back panel kit in white painted steel, P/N PL108 & PL120
  - Fixed back panel kit in aluminum, P/N PLA108 & PLA120
- Hinged front panel kits
  - Aluminum, P/N HFPP108 (for AMP1082 enclosure only)
  - Aluminum, P/N HFPP120 (for AMP1204 enclosure only)
- ULTRAPLUG® hole plug assemblies

### MODIFICATIONS

- Custom holes and cutouts, along with polycarbonate viewing windows are available. Contact factory for additional modification options.

### CONTACT INFORMATION

Allied Moulded Products Inc.  
222 North Union Street  
Bryan, OH 43506 USA

Phone: 1-800-722-2679

Fax: 1-800-237-7269

Email: [sales@alliedmoulded.com](mailto:sales@alliedmoulded.com)

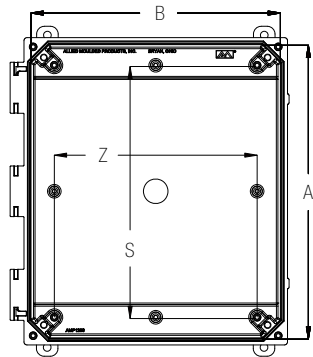


**ALLIED  
MOULDED  
PRODUCTS, Inc.**

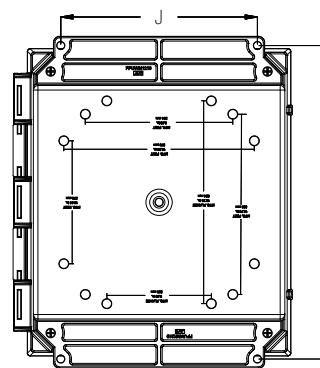
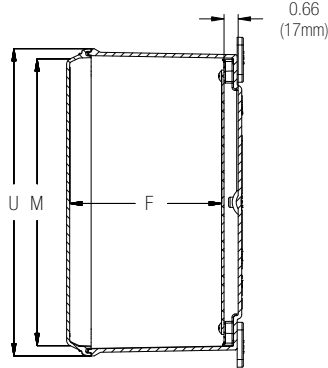
[www.alliedmoulded.com](http://www.alliedmoulded.com)



New Shallow Polycarbonate Enclosures  
Base P/N's AMP1082 & AMP1204



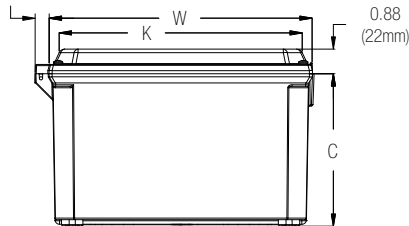
NOTE: COVER REMOVED FOR CLARITY



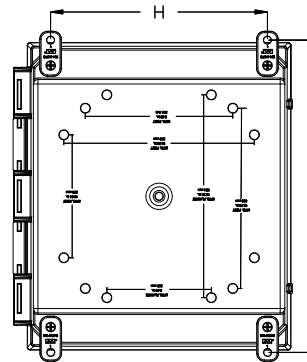
FLANGE MOUNT



6 x 6 x 4 - 14 x 12 x 6 0.56 (14mm)  
16 x 14 x 8 .36 (9mm)  
18 x 16 x 10 .46 (12mm)



All dimensions are in inches unless otherwise noted.



FOOT MOUNT



Scan to watch our latest video on the complete POLYLINE series!

\*Nom. Wall Thickness: .14 (3.7mm)

Base Part No.	Box Size			Usable Depth	Panel Boss Centers			Back Panel Size			Flange Mount Centers		Foot Mount Centers		Cover Size		
	A	B	C		F	S	Z	Ht.	Wid.	P/N	J	I	H	L	K	M	W
AMP1082	9.93	8.15	2.70	2.68	8.25	6.25	8.75	6.88	PL108 PLA108	6.00	10.75	6.91	10.75	7.89	9.67	8.72	10.50
	252mm	207mm	69mm	68mm	210mm	159mm	222mm	175mm		152mm	273mm	175mm	273mm	200mm	246mm	221mm	267mm
AMP1204	11.93	10.15	4.08	4.16	10.25	8.25	10.75	8.88	PL120 PLA120	8.00	12.75	8.82	12.70	9.89	11.67	10.72	12.50
	303mm	258mm	104mm	106mm	260mm	210mm	273mm	225mm		203mm	324mm	224mm	323mm	251mm	296mm	272mm	318mm

Available Configuration Options for AMP1082 & AMP1204 POLYLINE Enclosures

Base Part Number		Cover Types		Cover Attachment Types				Mounting Types	
Base Number Model	Size	Opaque Cover	Clear Cover	Screw Cover	Hinged Screw Cover	Hinged Nonmetal Latch	Hinged Snap Latch	Foot Mount	Flange Mount
AMP1082 or AMP1204	10"x8"x2" / 12"x10"x4"	(none)	CC	(none)	H	NL (AMP1204 only)	L (AMP1082 features reverse design)	(none)	F

Example: Part number AMP1082CCLF is a base enclosure with a clear cover (-CC), a hinged snap latch (-L), and a flange mount (-F).  
Part number AMP1204H is a base enclosure with an opaque cover, a hinged screw cover (-H), and foot mounting brackets.

