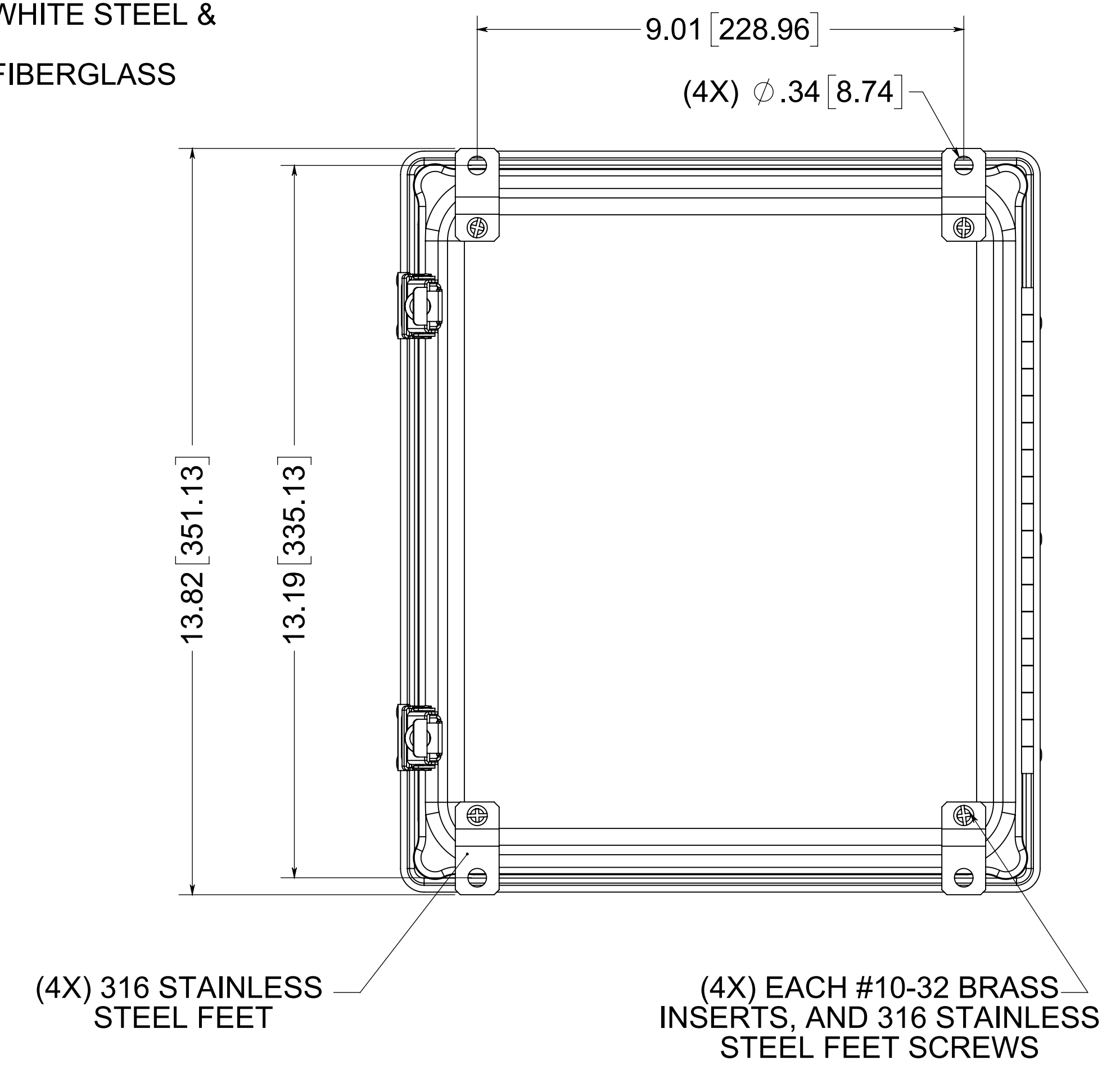
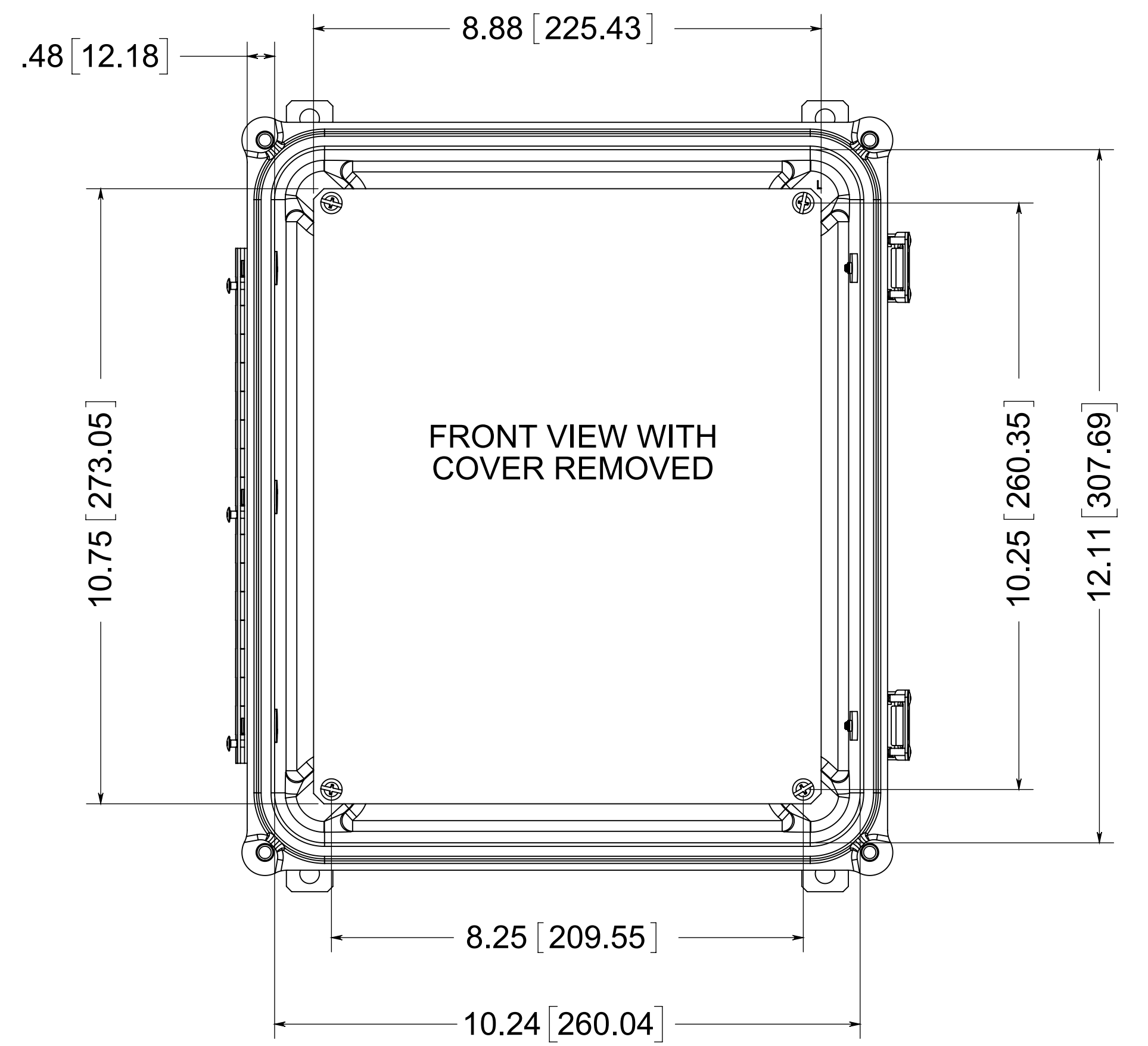
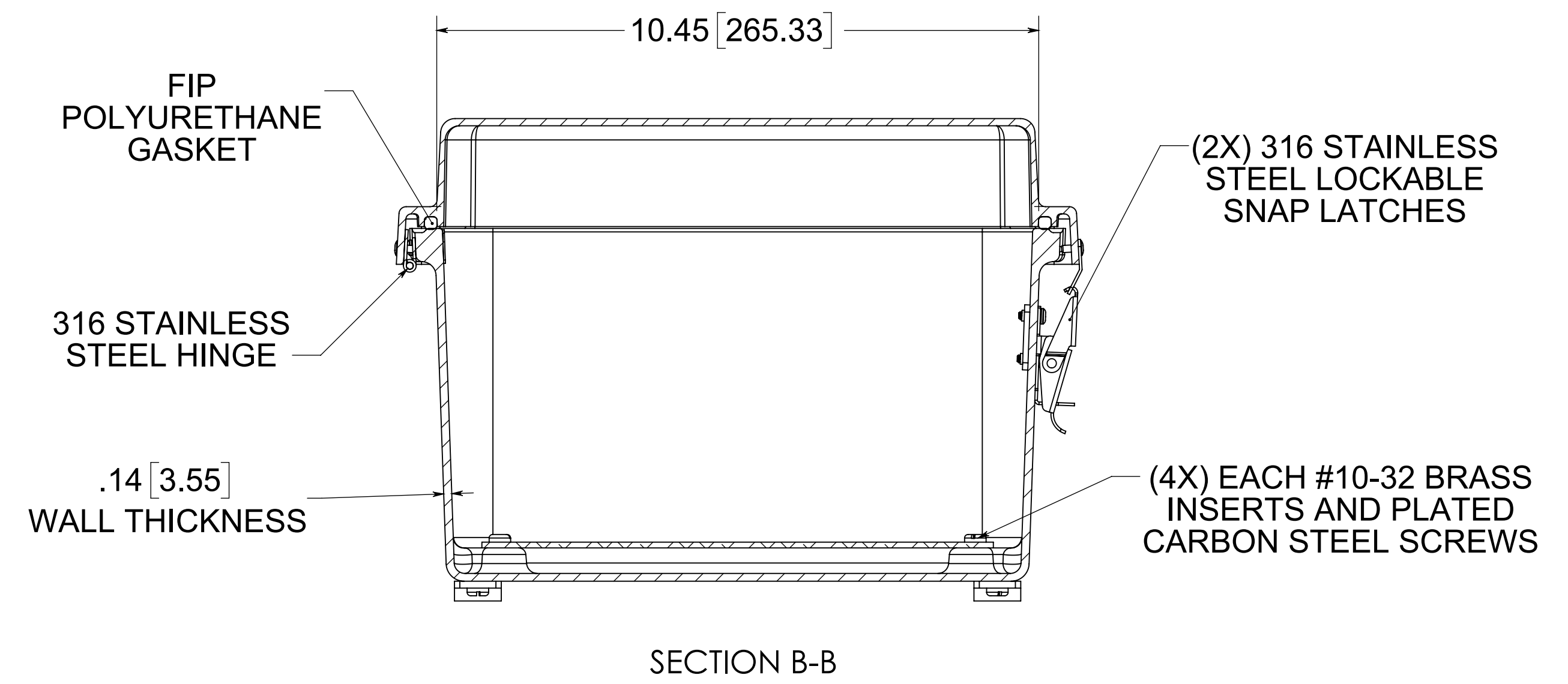


OPTIONAL BACK PANEL  
 0.100 [2.54] TH'K- ALUMINUM  
 0.075 [1.91] TH'K- WHITE STEEL &  
 GALVANNEALED  
 0.125 [3.18] TH'K- FIBERGLASS



(4X) 316 STAINLESS  
 STEEL FEET

(4X) EACH #10-32 BRASS  
 INSERTS, AND 316 STAINLESS  
 STEEL FEET SCREWS



**MATERIAL**  
 BOX- COMPRESSION MOLDED FIBERGLASS REINFORCED POLYESTER  
 COVER- COMPRESSION MOLDED FIBERGLASS REINFORCED POLYESTER  
 WINDOWS- POLYCARBONATE

**NOTE:**  
 1. DATA SUBJECT TO  
 CHANGE WITHOUT  
 NOTICE

ALLIED MOULDED PRODUCTS  
 BRYAN, OHIO  
 The Original Fiber Glass Outlet Box

Description  
**AM Raised Cov**  
 Part No.  
**AM1206RL**

**CONFIDENTIAL**  
 THIS MATERIAL IS OWNED BY THE ALLIED  
 MOULDED PRODUCTS COMPANY, IS DISCLOSED  
 IN CONFIDENCE, AND IS NOT TO BE REPRODUCED  
 OR DISTRIBUTED WITHOUT PRIOR WRITTEN  
 PERMISSION FROM ALLIED MOULDED PRODUCTS.