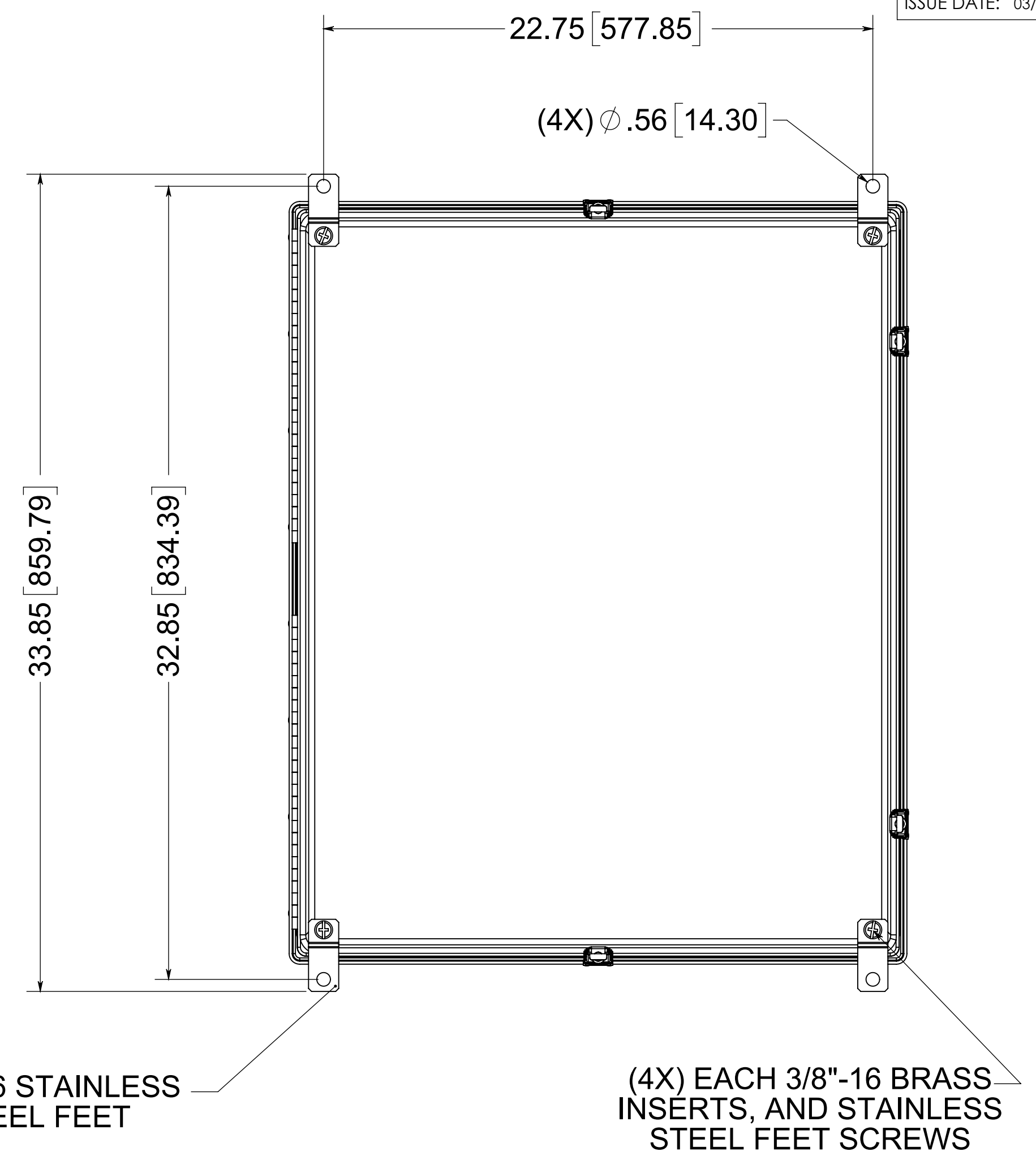
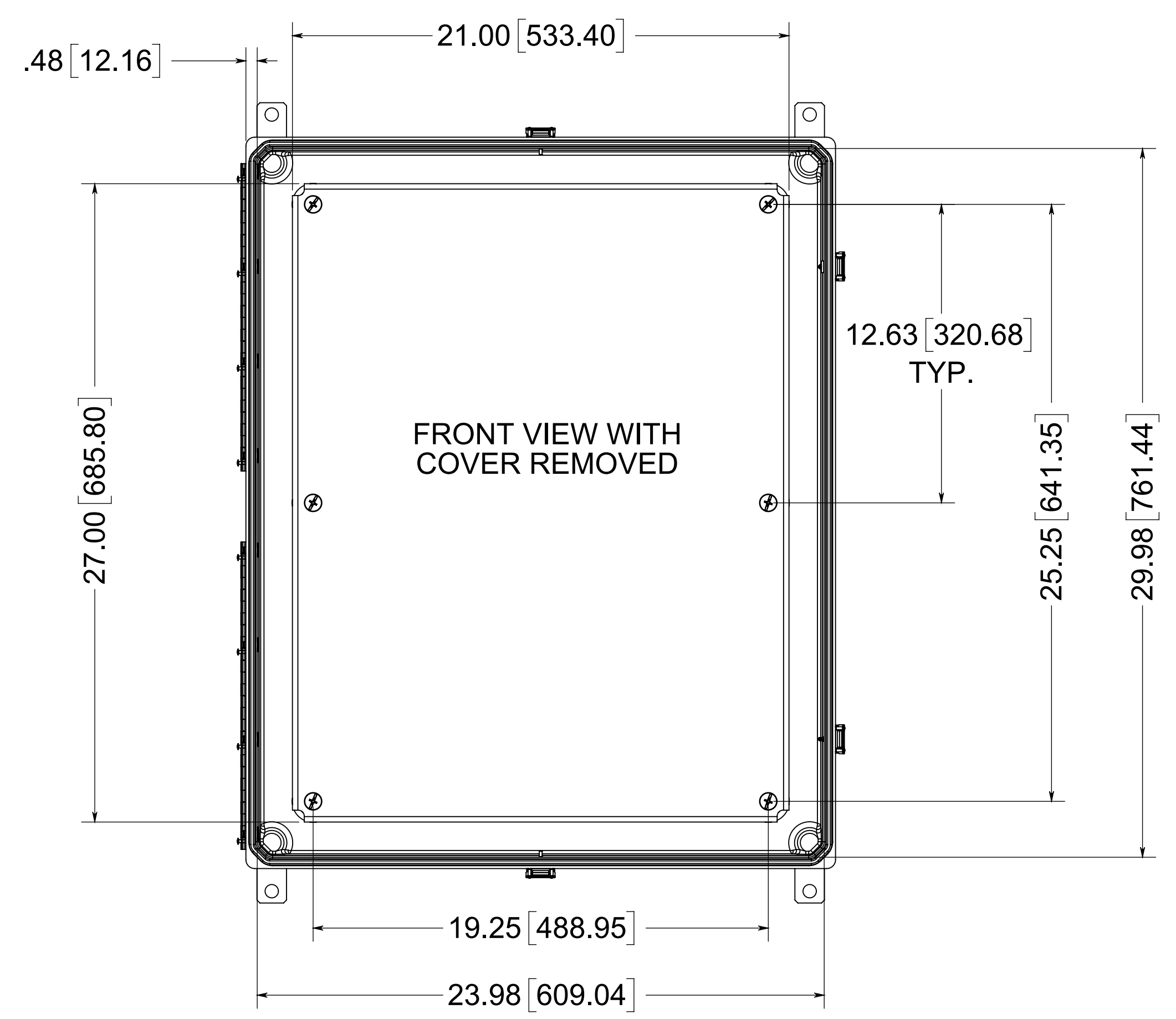
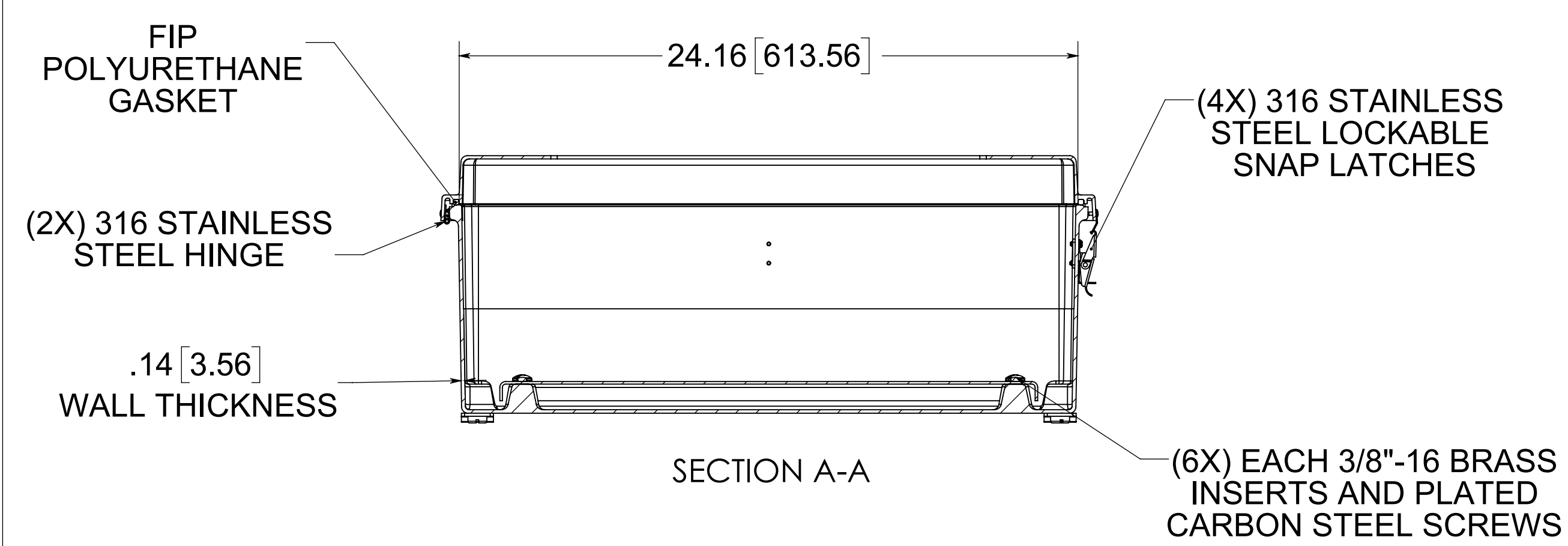


OPTIONAL BACK PANEL
0.100 [2.54] TH'K- ALUMINUM
0.105 [2.67] TH'K- WHITE STEEL &
GALVANNEALED
0.250 [6.35] TH'K- FIBERGLASS



(4X) 316 STAINLESS
STEEL FEET

(4X) EACH 3/8"-16 BRASS
INSERTS, AND STAINLESS
STEEL FEET SCREWS



MATERIAL:
BOX- COMPRESSION MOLDED FIBERGLASS REINFORCED POLYESTER
COVER- COMPRESSION MOLDED FIBERGLASS REINFORCED POLYESTER
WINDOW- POLYCARBONATE

NOTE:
1. DATA SUBJECT TO CHANGE WITHOUT NOTICE

ALLIED MOULDED PRODUCTS
BRYAN, OHIO
The Original Fiber Glass Outlet Box

Description
Control
Part No.
AM30248RLW

CONFIDENTIAL
THIS MATERIAL IS OWNED BY THE ALLIED MOULDED PRODUCTS COMPANY, IS DISCLOSED IN CONFIDENCE, AND IS NOT TO BE REPRODUCED OR DISTRIBUTED WITHOUT PRIOR WRITTEN PERMISSION FROM ALLIED MOULDED PRODUCTS.