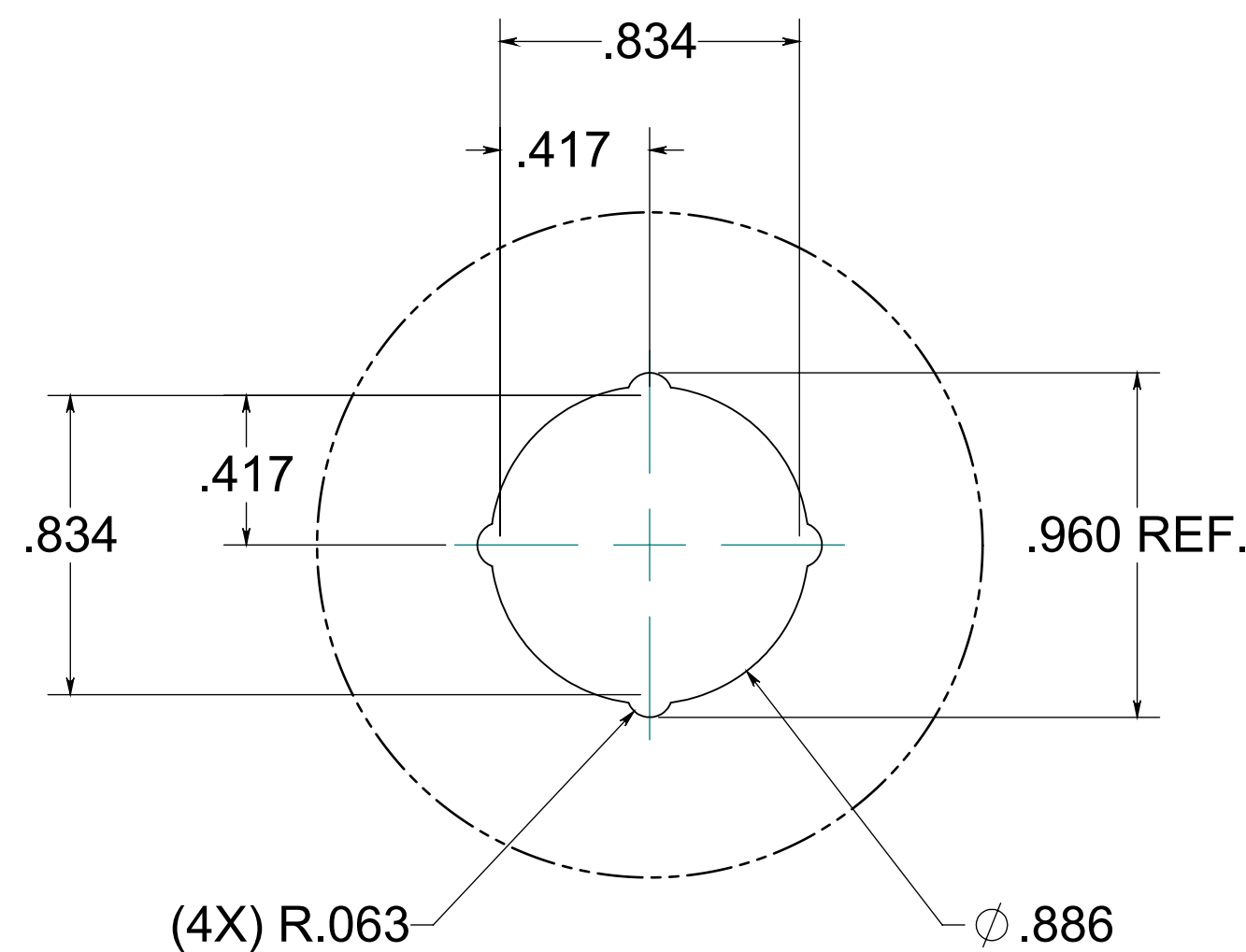
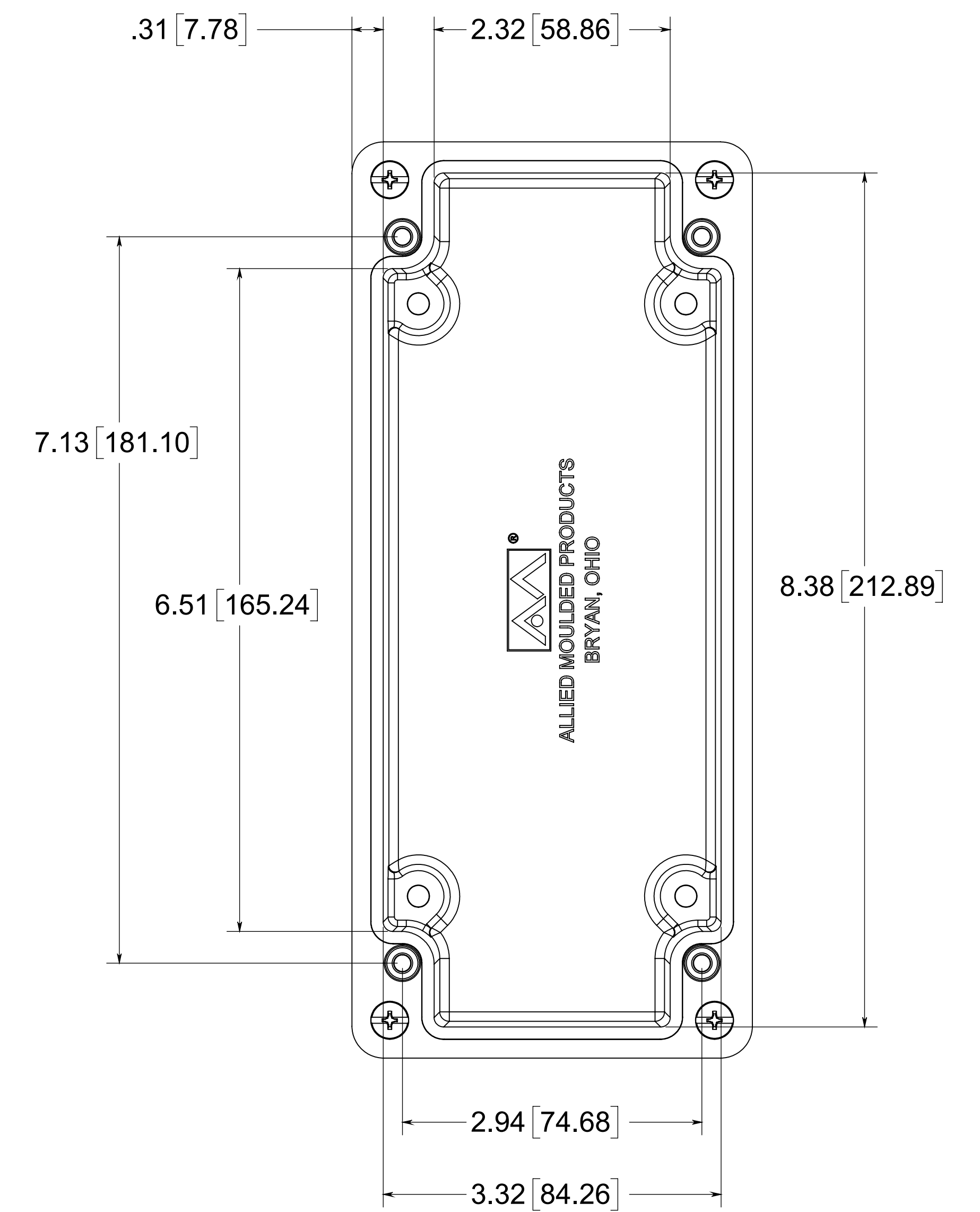
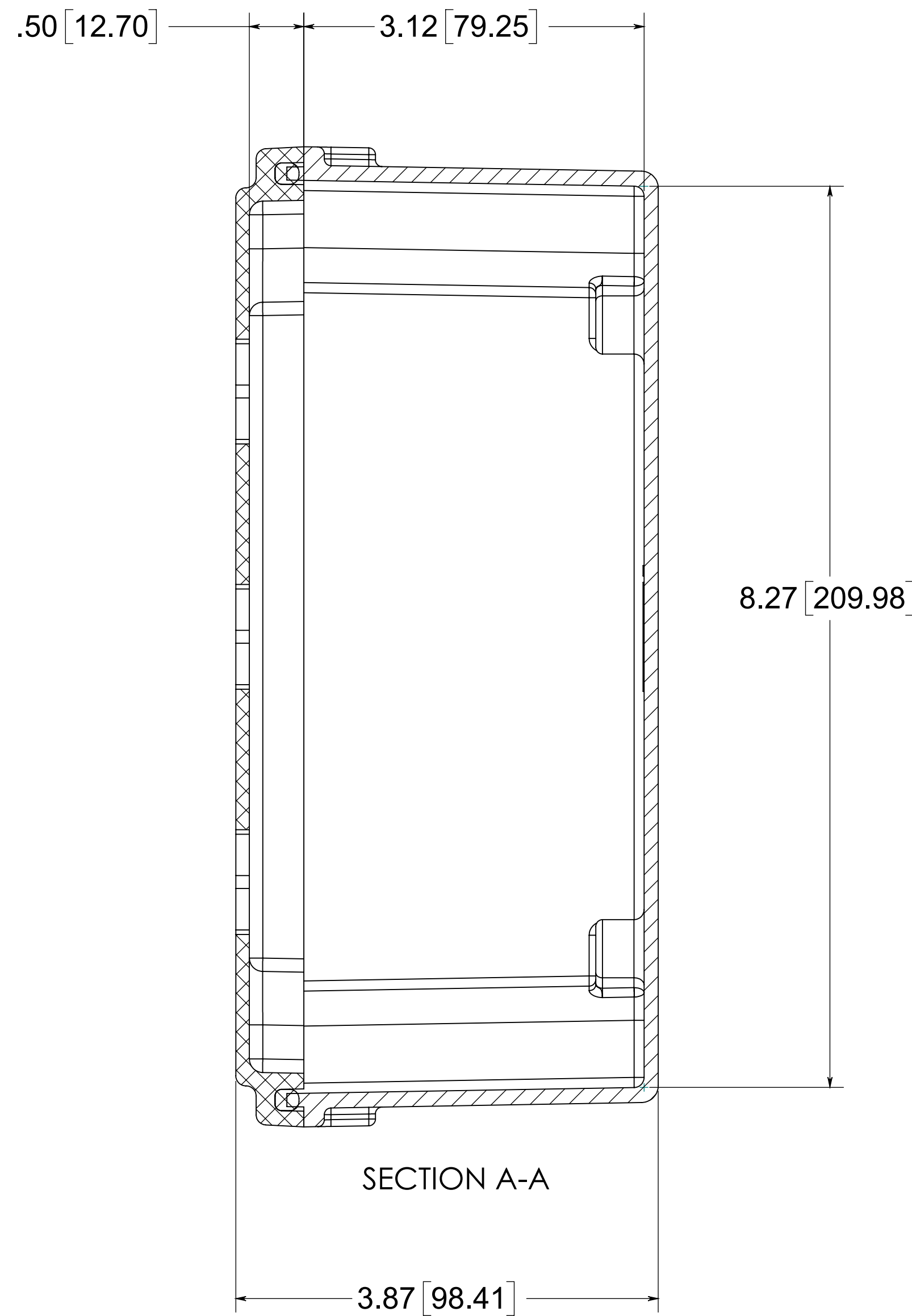
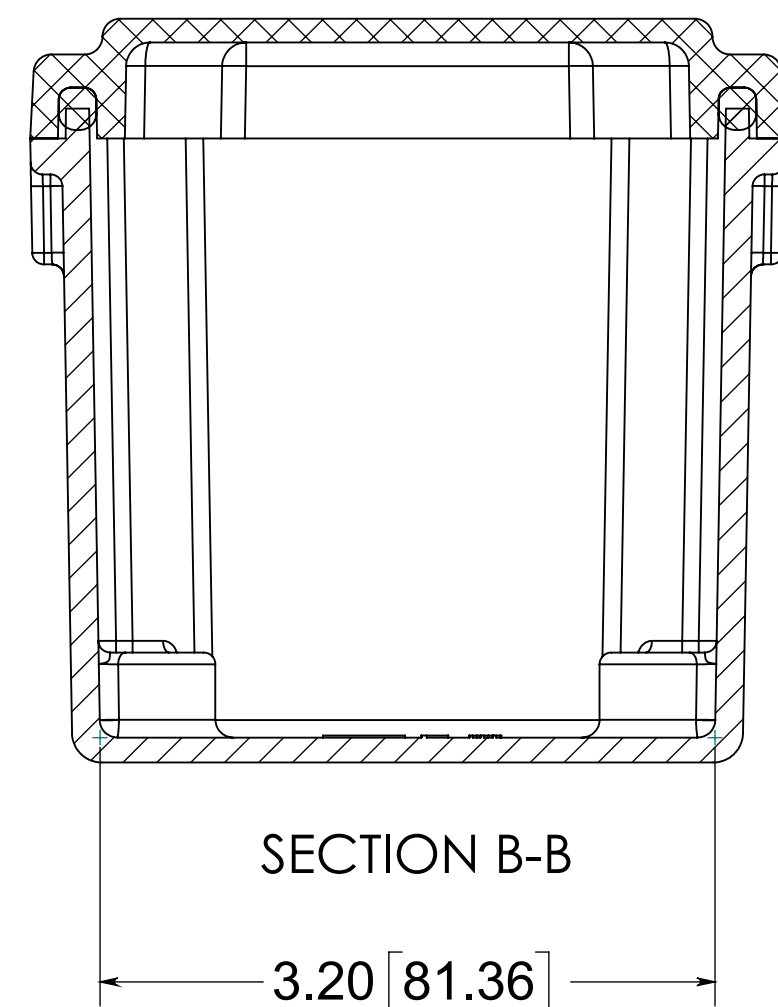


(4) EACH #10-32
BRASS INSERTS
AND STAINLESS STEEL
COVER SCREWS

FIP
POLYURETHANE
GASKET



DETAIL C
SCALE 2 : 1

NOTE:
1. DATA SUBJECT TO
CHANGE WITHOUT NOTICE

MATERIAL:
BOX & COVER- COMPRESSION MOLDED
FIBERGLASS REINFORCED POLYESTER

CONFIDENTIAL
THIS MATERIAL IS OWNED BY THE ALLIED
MOULDED PRODUCTS COMPANY, IS DISCLOSED
IN CONFIDENCE, AND IS NOT TO BE REPRODUCED
OR DISTRIBUTED WITHOUT PRIOR WRITTEN
PERMISSION FROM ALLIED MOULDED PRODUCTS.

ALLIED MOULDED PRODUCTS
BRYAN, OHIO
The Original Fiber Glass Outlet Box

Description
AM Series
Part No.
AM3PB22