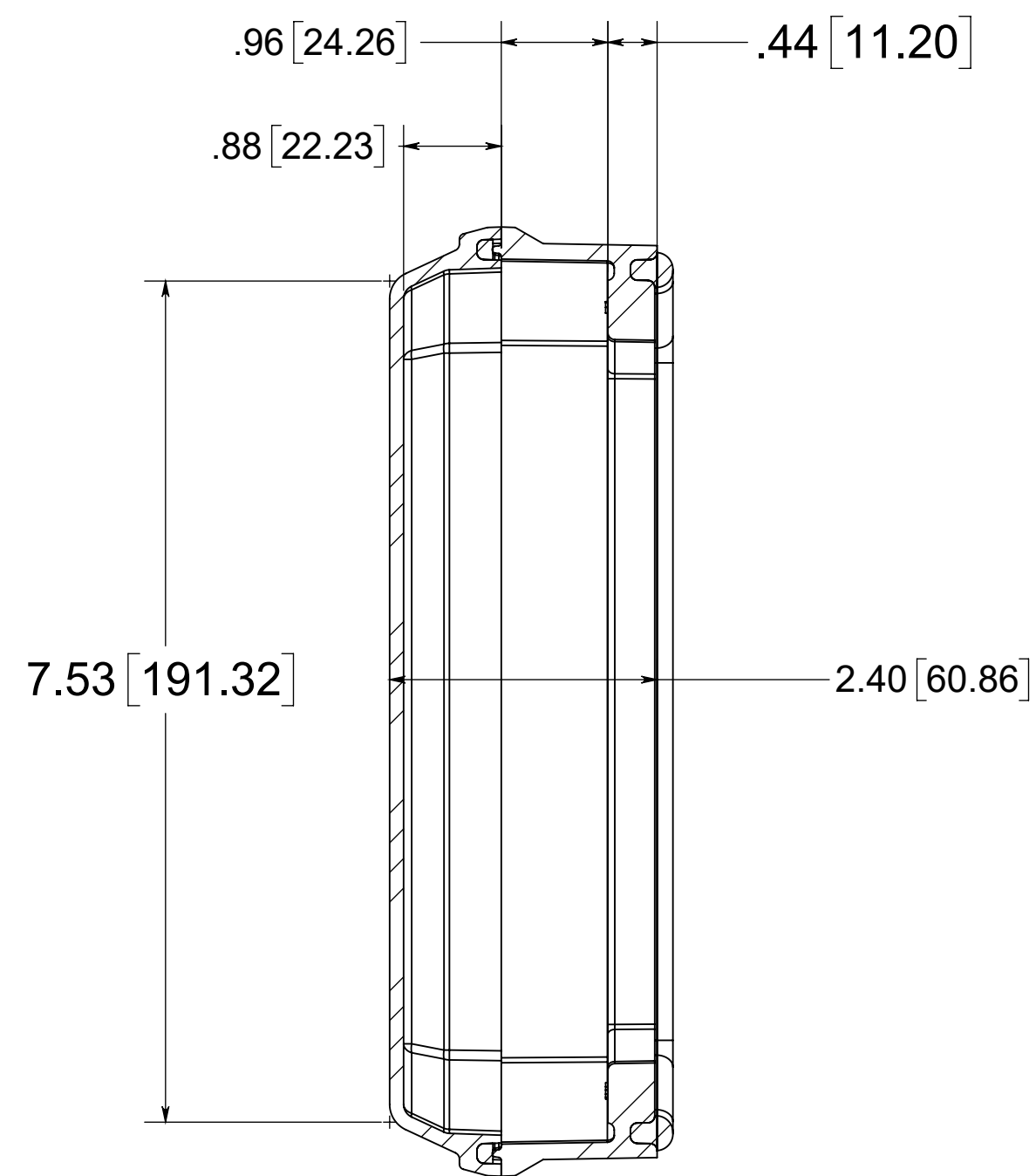
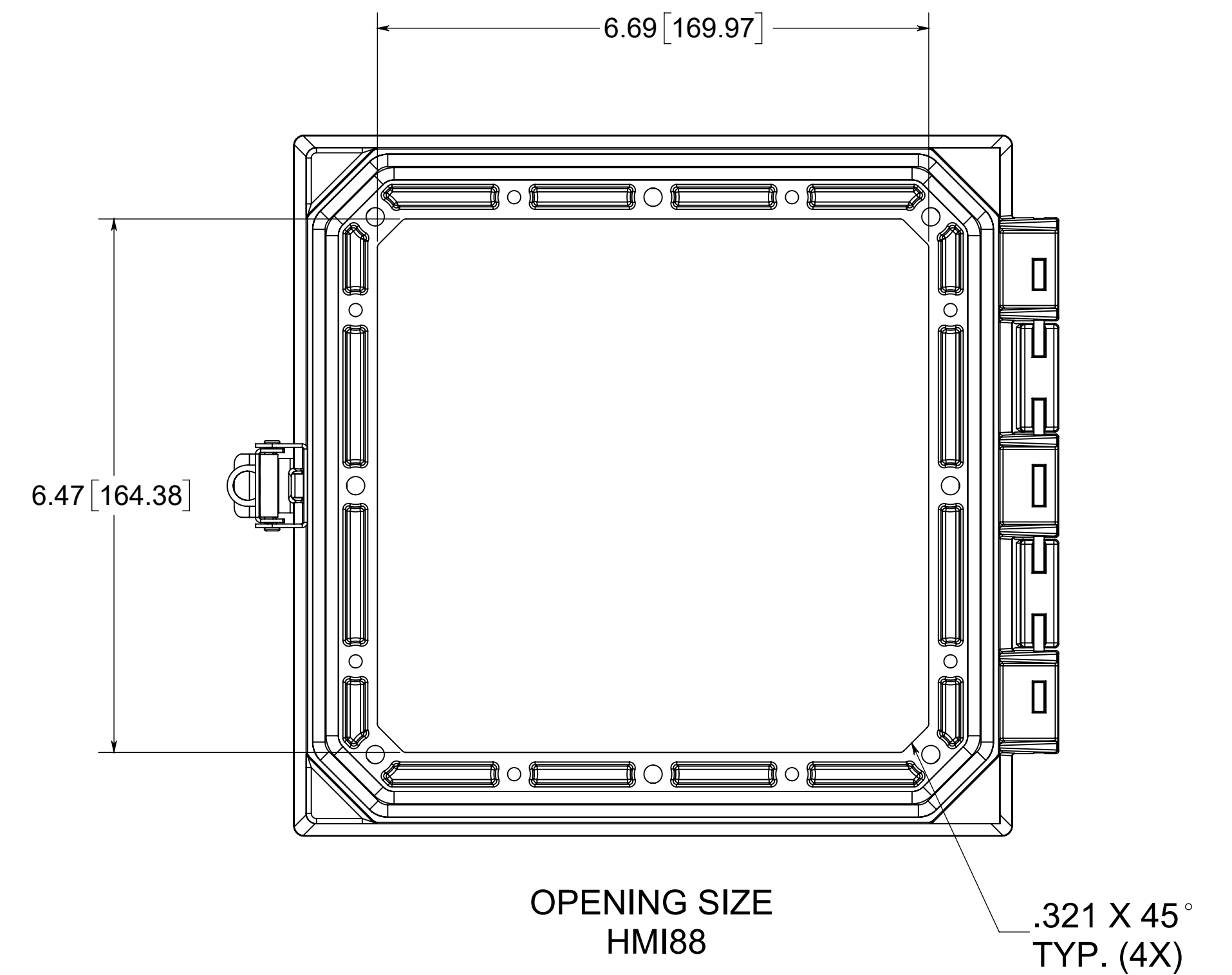


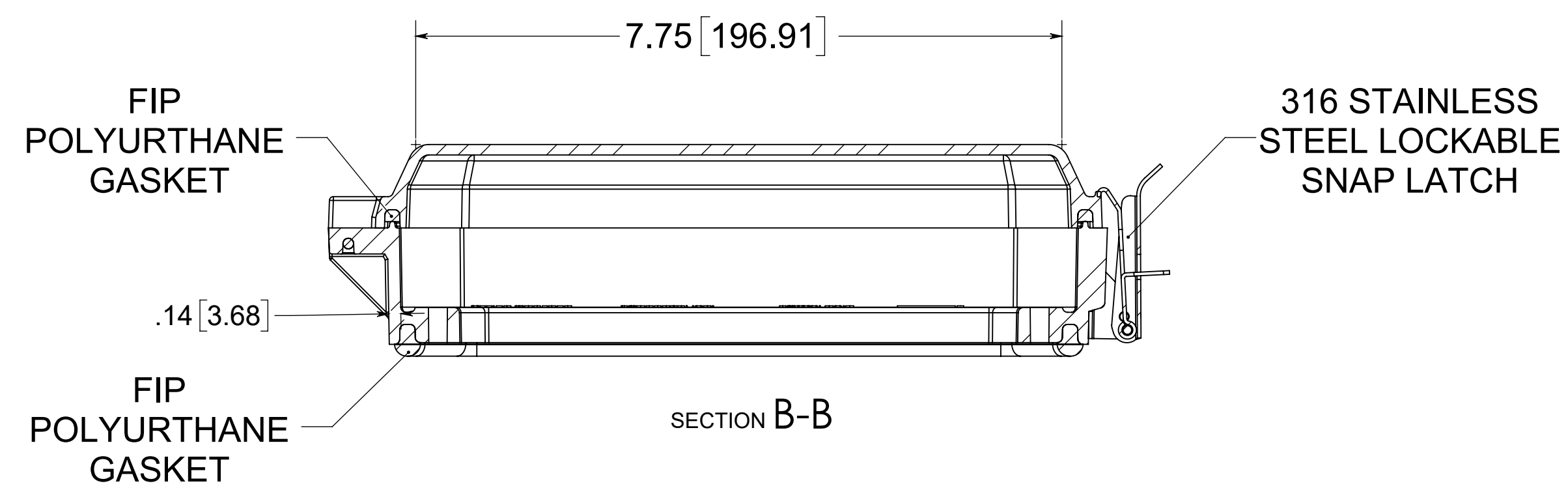
316 STAINLESS STEEL HINGE PIN



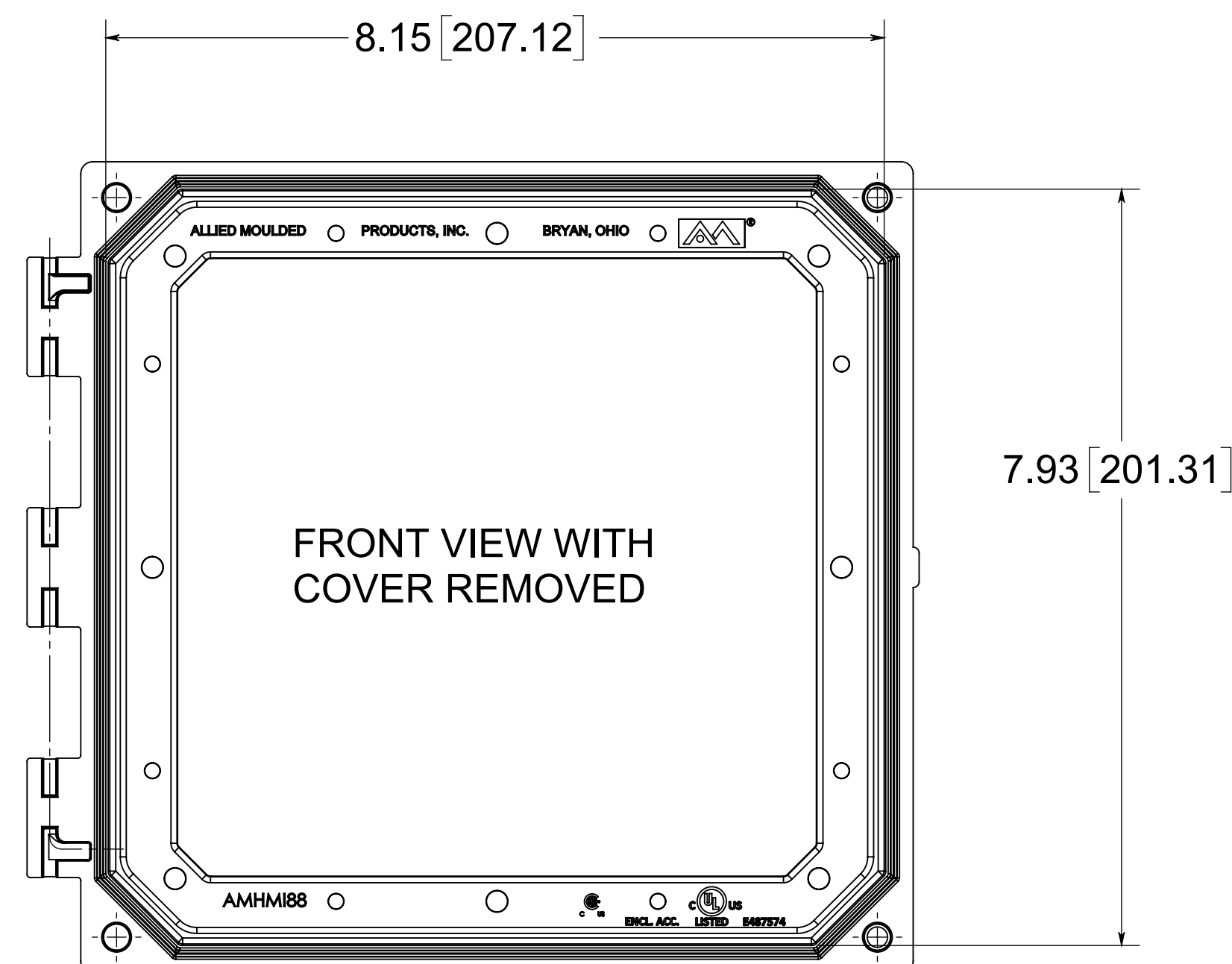
SECTION A-A



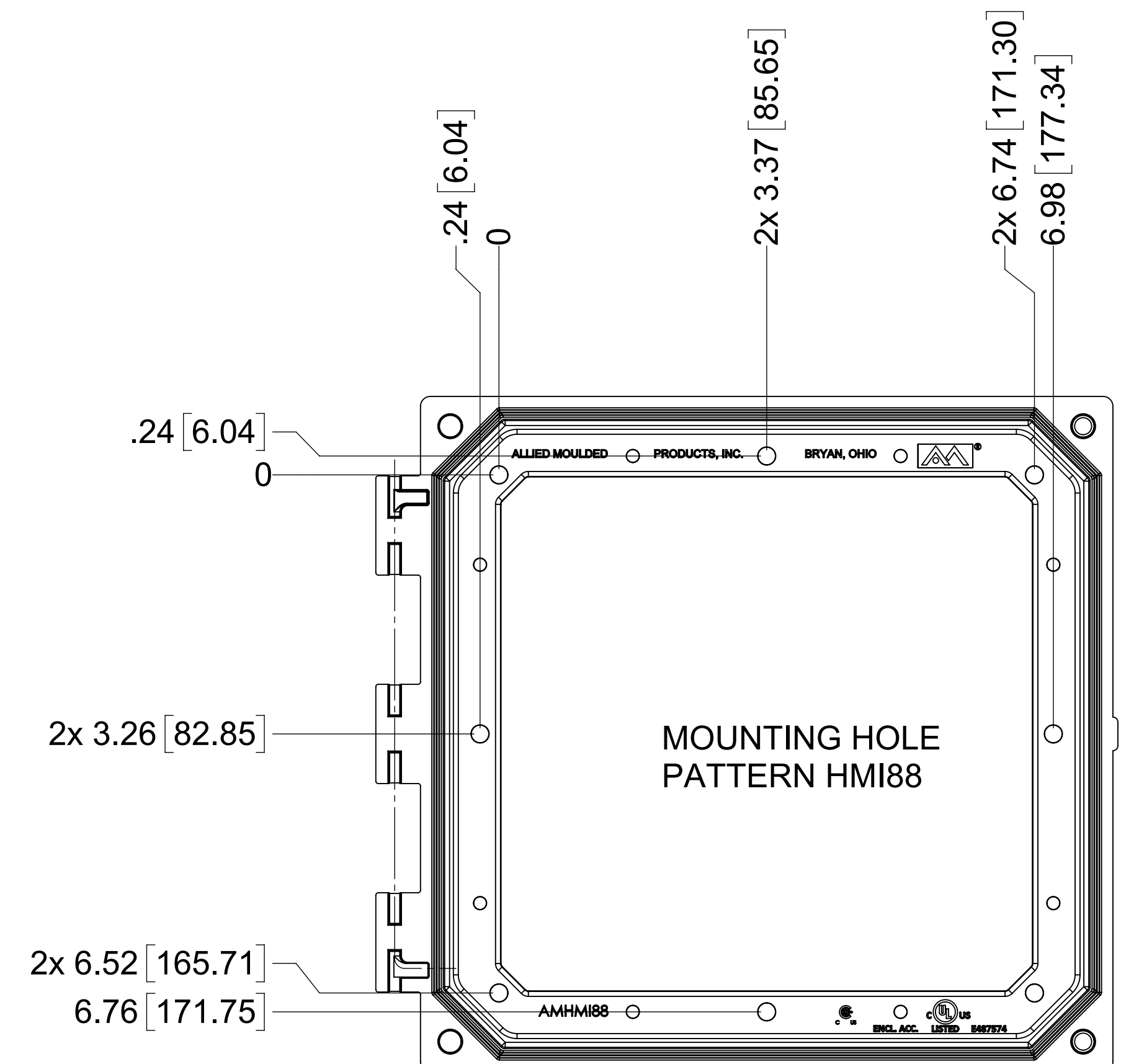
OPENING SIZE HMI88



SECTION B-B



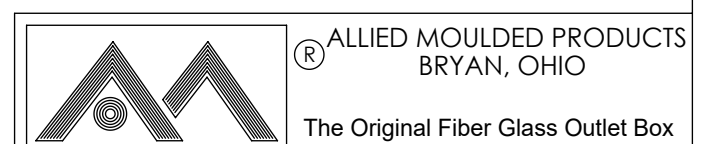
FRONT VIEW WITH COVER REMOVED



MOUNTING HOLE PATTERN HMI88

**MATERIAL:**  
 BOX- INJECTED POLYCARBONATE  
 STANDARD COVER- INJECTED POLYCARBONATE  
 CLEAR COVER- INJECTED POLYCARBONATE

**NOTE:**  
 1. DATA SUBJECT TO CHANGE  
 2. WILL FIT ALLIED MOULDED ENCLOSURES SIZES 10x12 AND LARGER



**CONFIDENTIAL**  
 THIS MATERIAL IS OWNED BY THE ALLIED MOULDED PRODUCTS COMPANY, IS DISCLOSED IN CONFIDENCE, AND IS NOT TO BE REPRODUCED OR DISTRIBUTED WITHOUT PRIOR WRITTEN PERMISSION FROM ALLIED MOULDED PRODUCTS.  
 © Allied Moulded Products, Inc. All Rights Reserved

Description  
**Access-Indus**  
 Part No.  
**AMHMI88CCL**