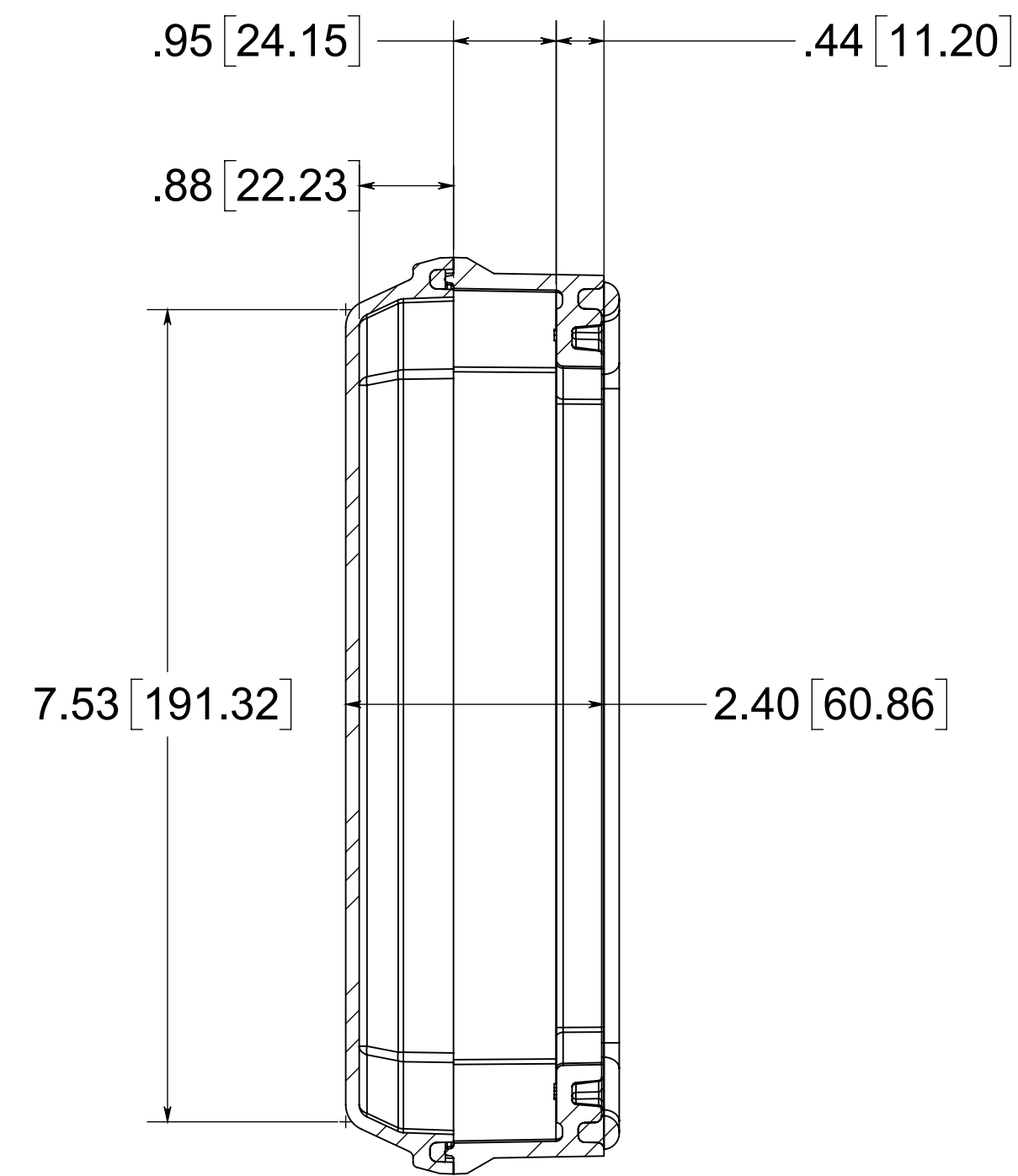
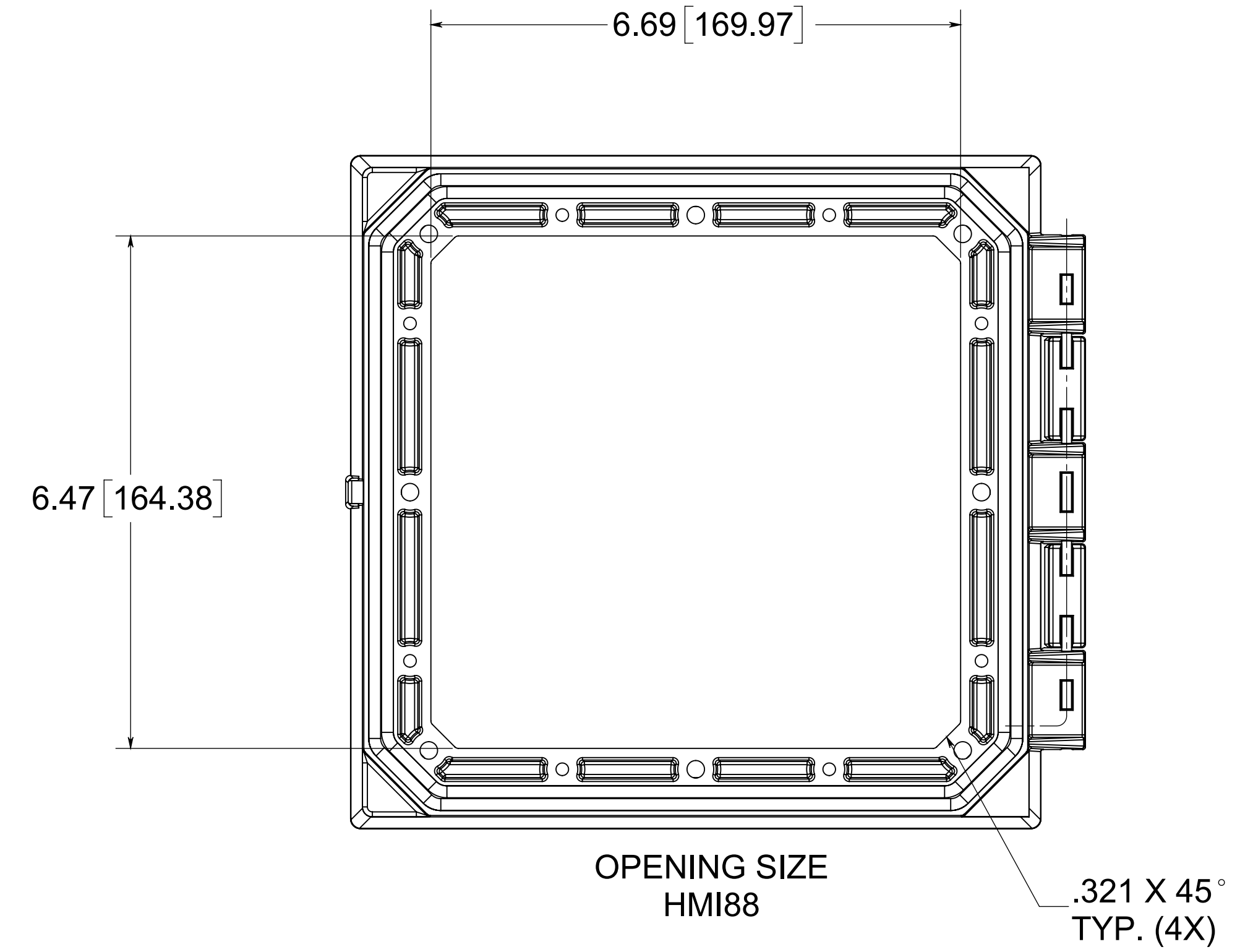


316 STAINLESS STEEL HINGE PIN

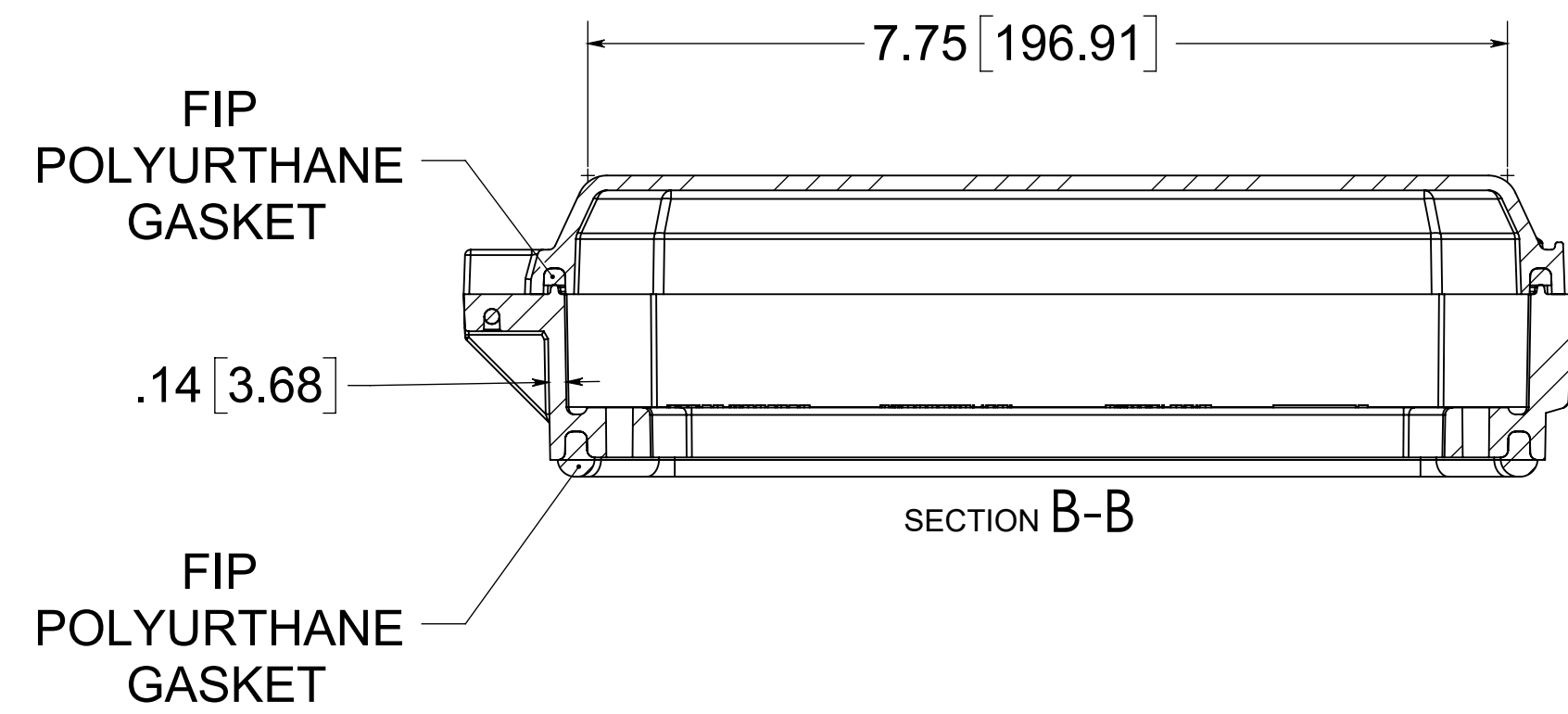
(2) EACH #10-32 BRAS INSERTS, AND 316 STAINLESS STEEL CAPTIVE COVER SCREWS WITH O-RINGS



SECTION A-A



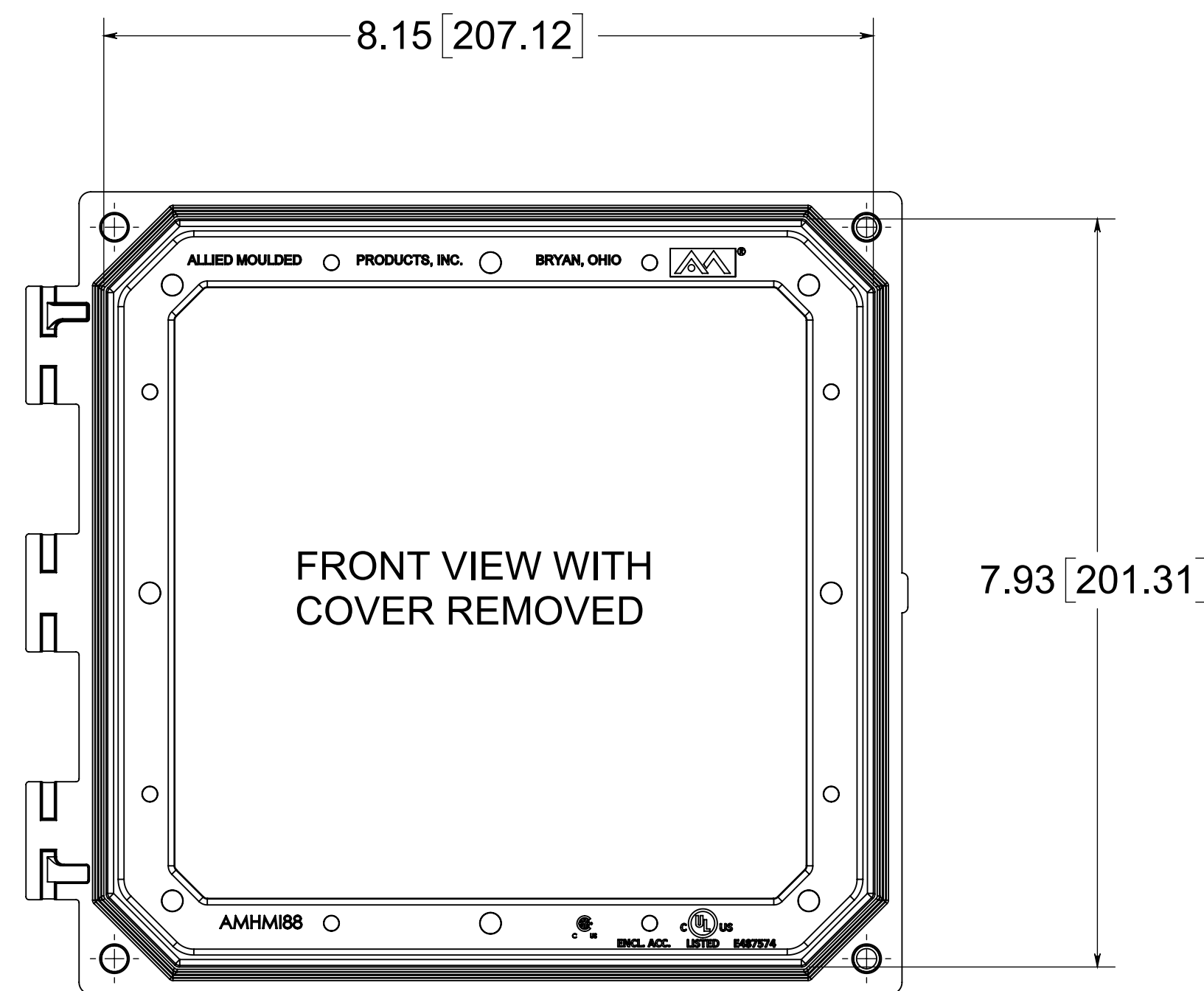
OPENING SIZE HMI88



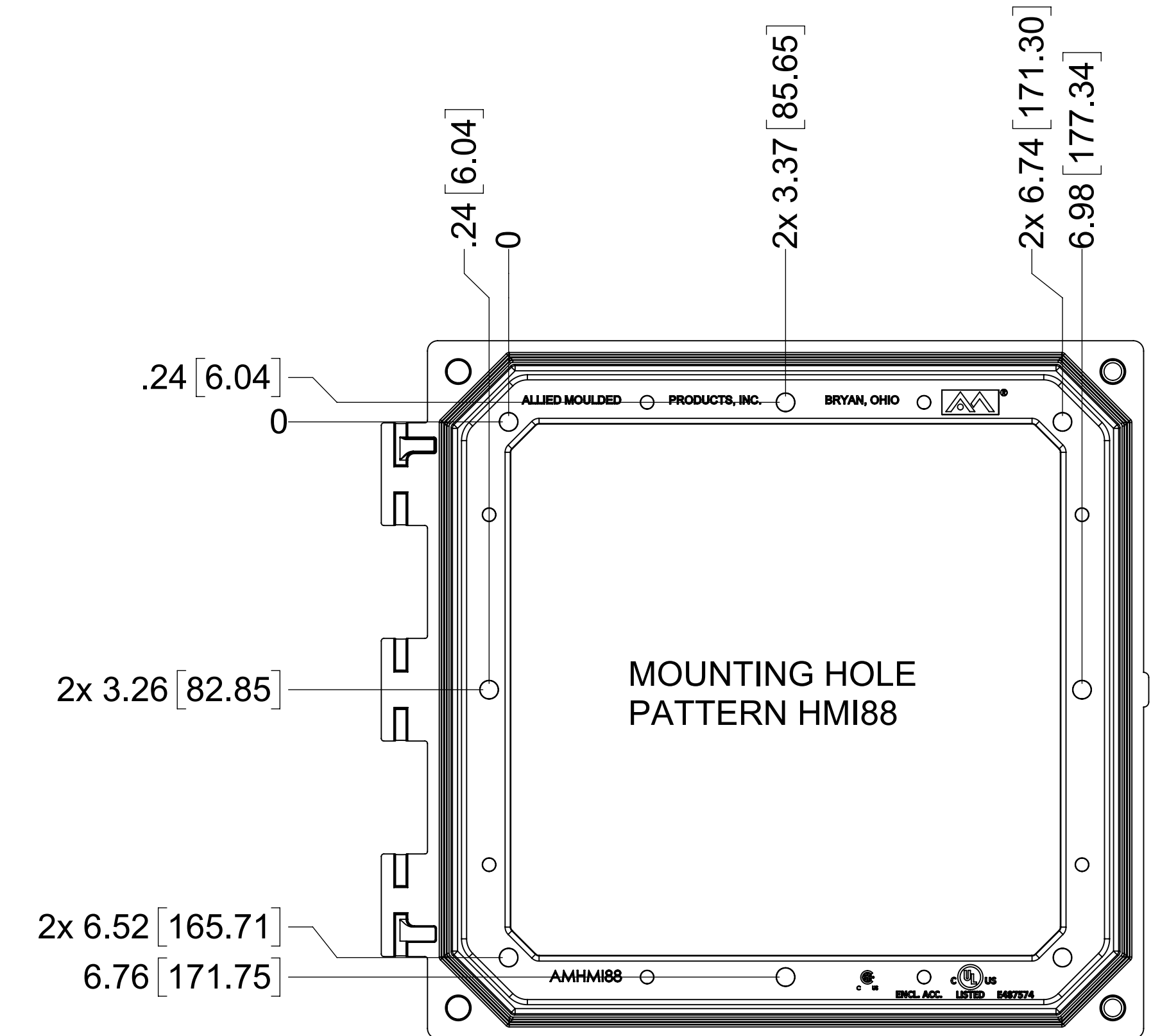
FIP POLYURTHANE GASKET

FIP POLYURTHANE GASKET

SECTION B-B



FRONT VIEW WITH COVER REMOVED



MOUNTING HOLE PATTERN HMI88

**MATERIAL:**  
 BOX- INJECTED POLYCARBONATE  
 STANDARD COVER- INJECTED POLYCARBONATE  
 CLEAR COVER- INJECTED POLYCARBONATE

**NOTE:**  
 1. DATA SUBJECT TO CHANGE  
 2. WILL FIT ALLIED MOULDED ENCLOSURES SIZES 10x12 AND LARGER

**CONFIDENTIAL**  
 THIS MATERIAL IS OWNED BY THE ALLIED MOULDED PRODUCTS COMPANY, IS DISCLOSED IN CONFIDENCE, AND IS NOT TO BE REPRODUCED OR DISTRIBUTED WITHOUT PRIOR WRITTEN PERMISSION FROM ALLIED MOULDED PRODUCTS.  
 © Allied Moulded Products, Inc. All Rights Reserved

ALLIED MOULDED PRODUCTS  
 BRYAN, OHIO  
 The Original Fiber Glass Outlet Box

Description  
**Access-Indus**  
 Part No.  
**AMHMI88H**