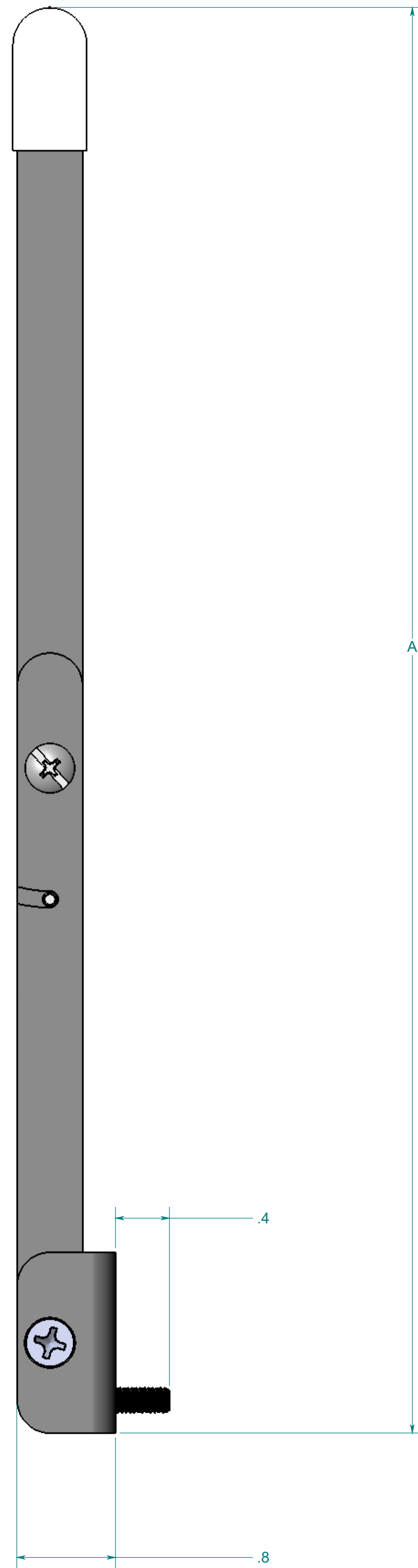
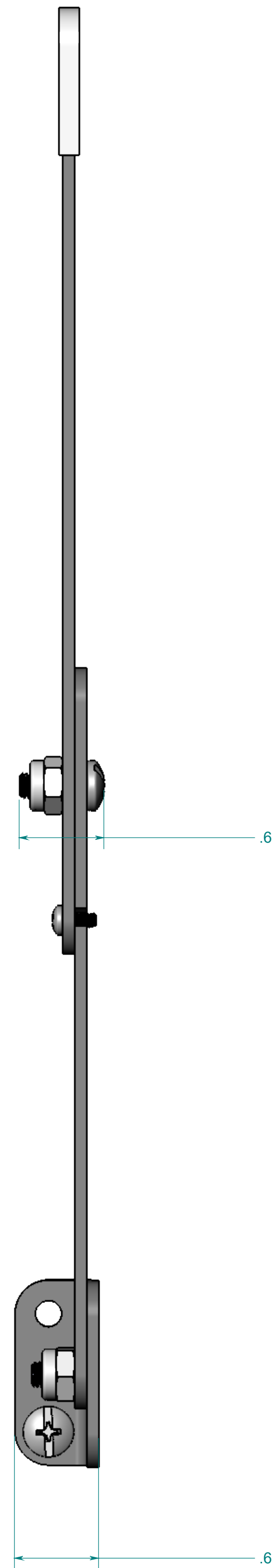
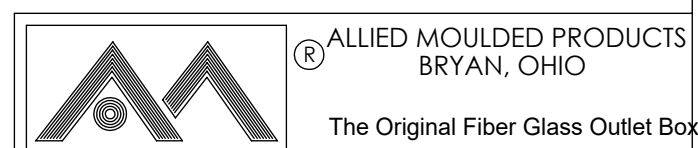


Date	Rev	Description	ECN No.	ISSUE DATE	DB	CK	REL
-	1	PRE-RELEASE	-	-	-	-	-
-	-	-	-	-	-	-	-
-	-	-	-	-	-	-	-



SIZE	DIMENSION A
AMHMIPROP88	10.9
AMHMIPROP108	10.9
AMHMIPROP120	14.0
AMHMIPROP142	16.3
AMHMIPROP164	18.8
AMHMIPROP206	18.8

**CONFIDENTIAL**  
 THIS MATERIAL IS OWNED BY THE ALLIED MOULDED PRODUCTS COMPANY, IS DISCLOSED IN CONFIDENCE, AND IS NOT TO BE REPRODUCED OR DISTRIBUTED WITHOUT PRIOR WRITTEN PERMISSION FROM ALLIED MOULDED PRODUCTS.  
 © - Allied Moulded Products, Inc. All Rights Reserved



Description  
**AMHMIPROP**  
 Part No.  
**AMHMIPROP**