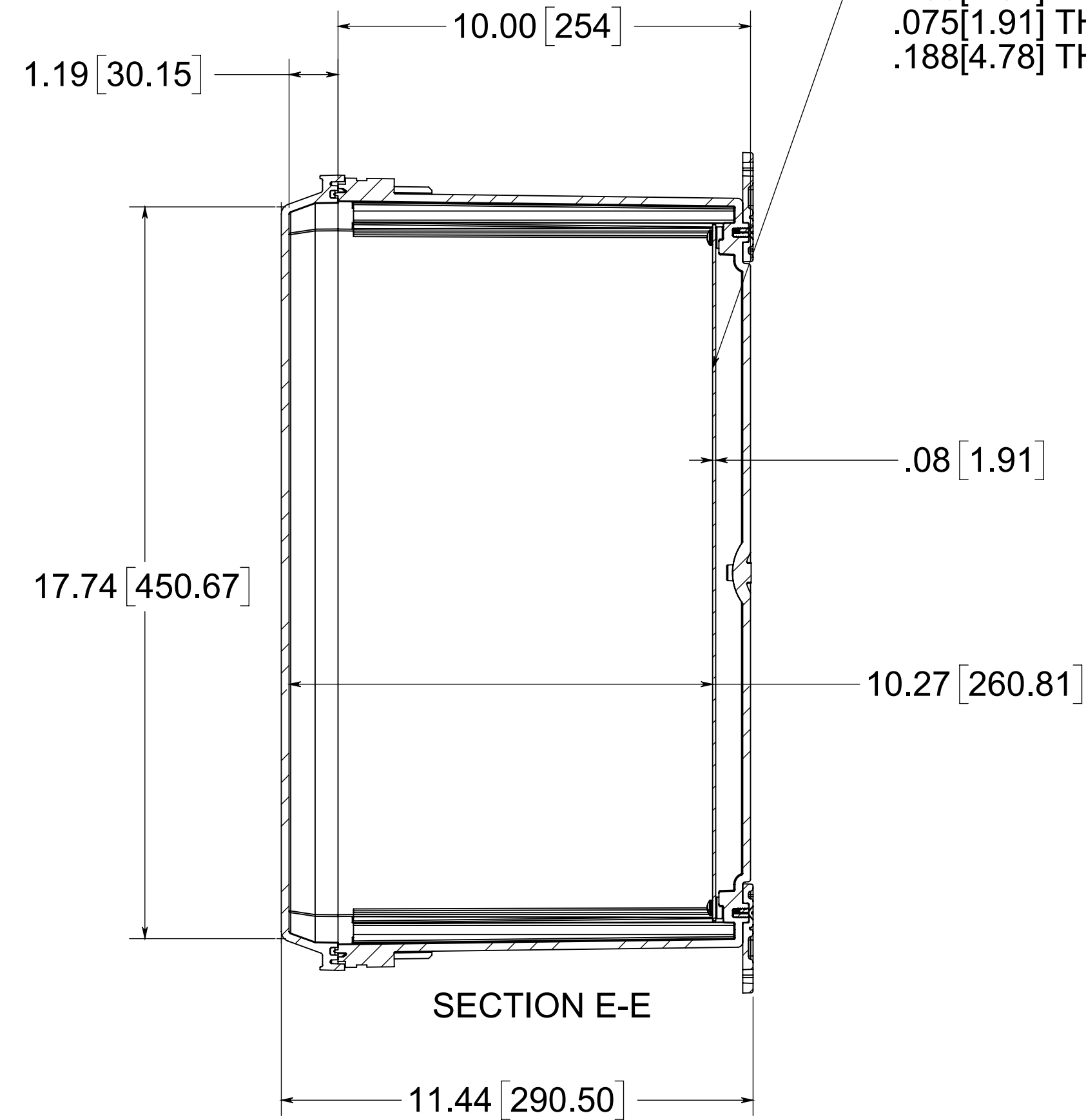
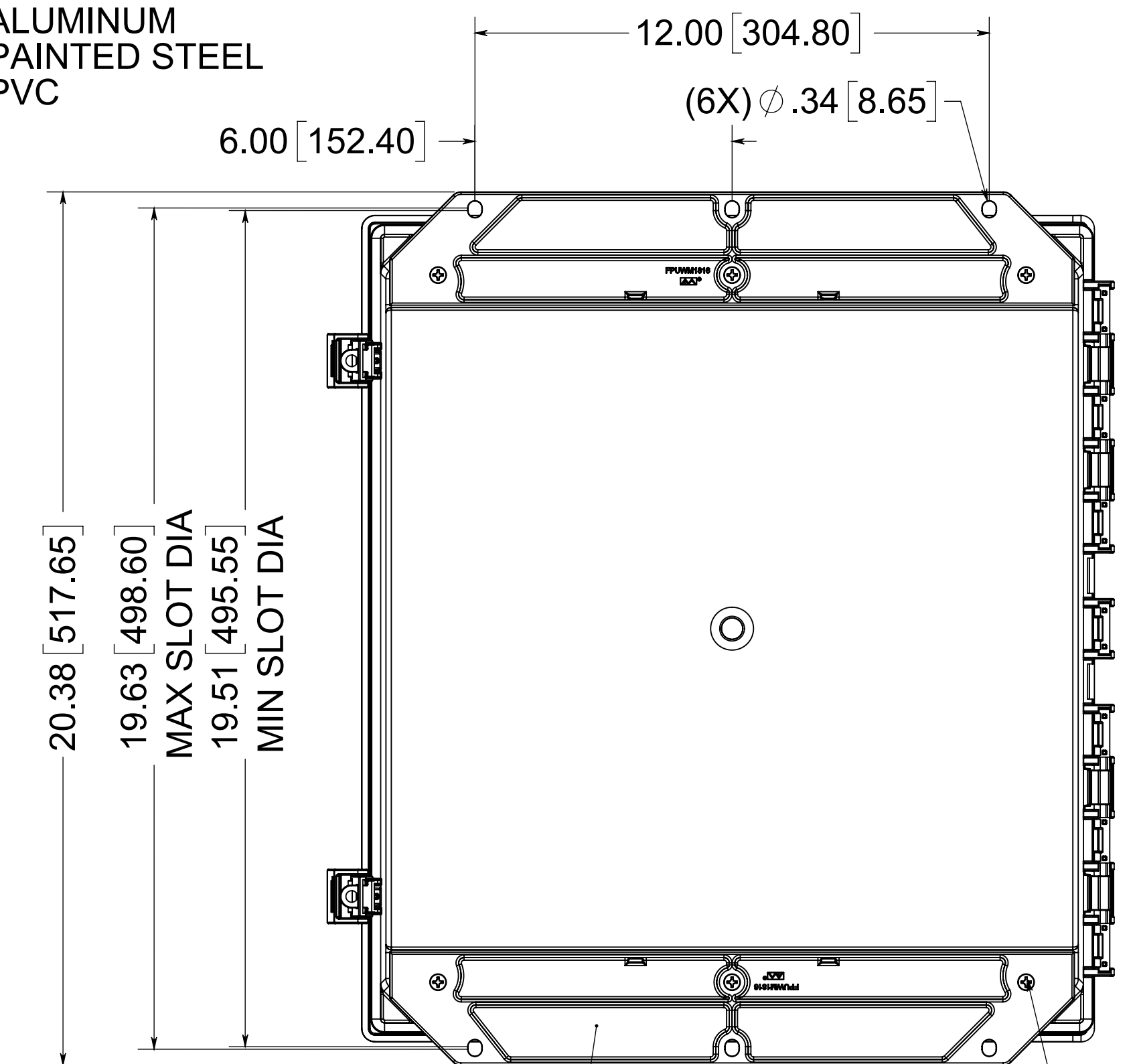


(4X) SNAP-IN POLYCARBONATE HINGE KNUCKLE



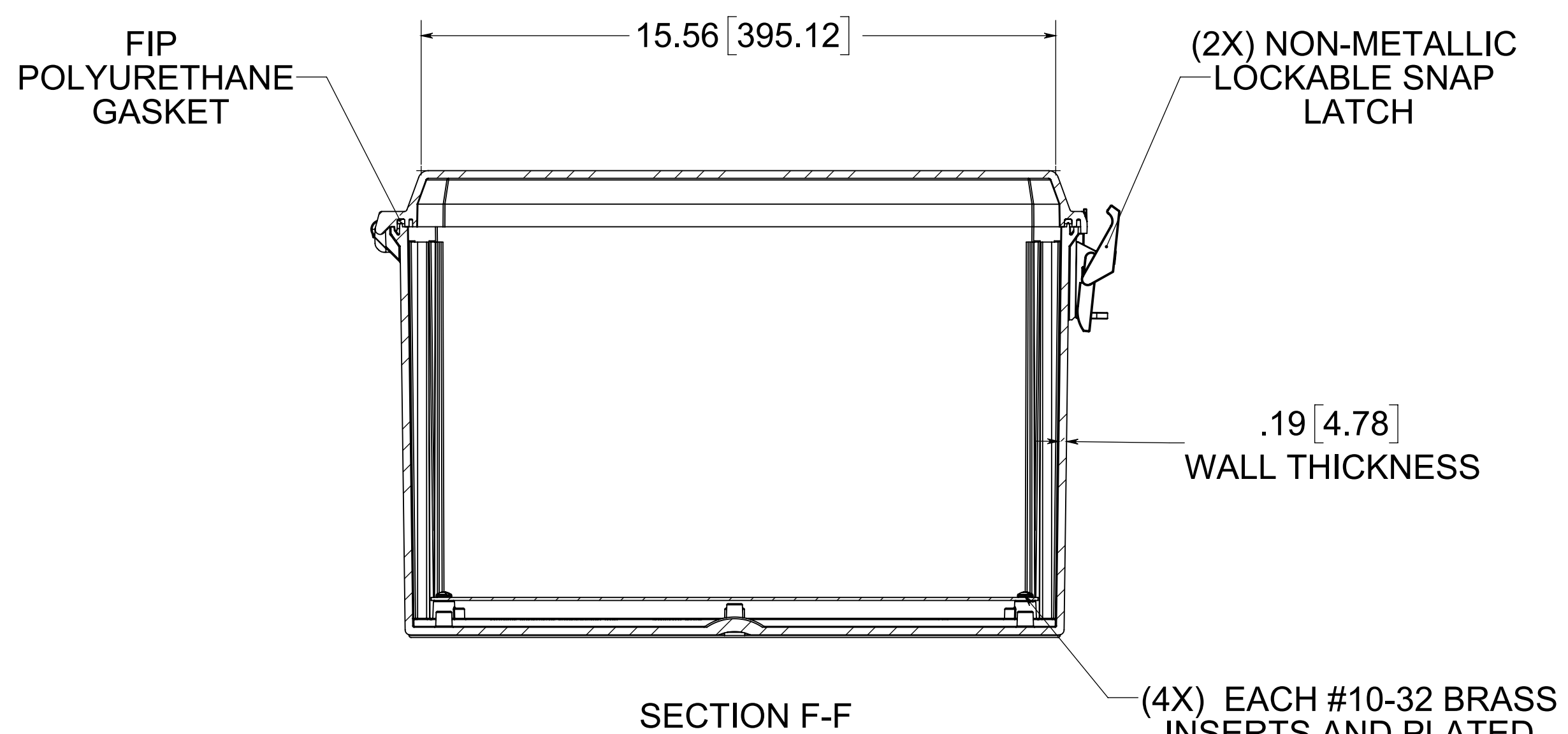
SECTION E-E

OPTIONAL BACK PANEL
 .100[2.54] TH'K - ALUMINUM
 .075[1.91] TH'K - PAINTED STEEL
 .188[4.78] TH'K - PVC

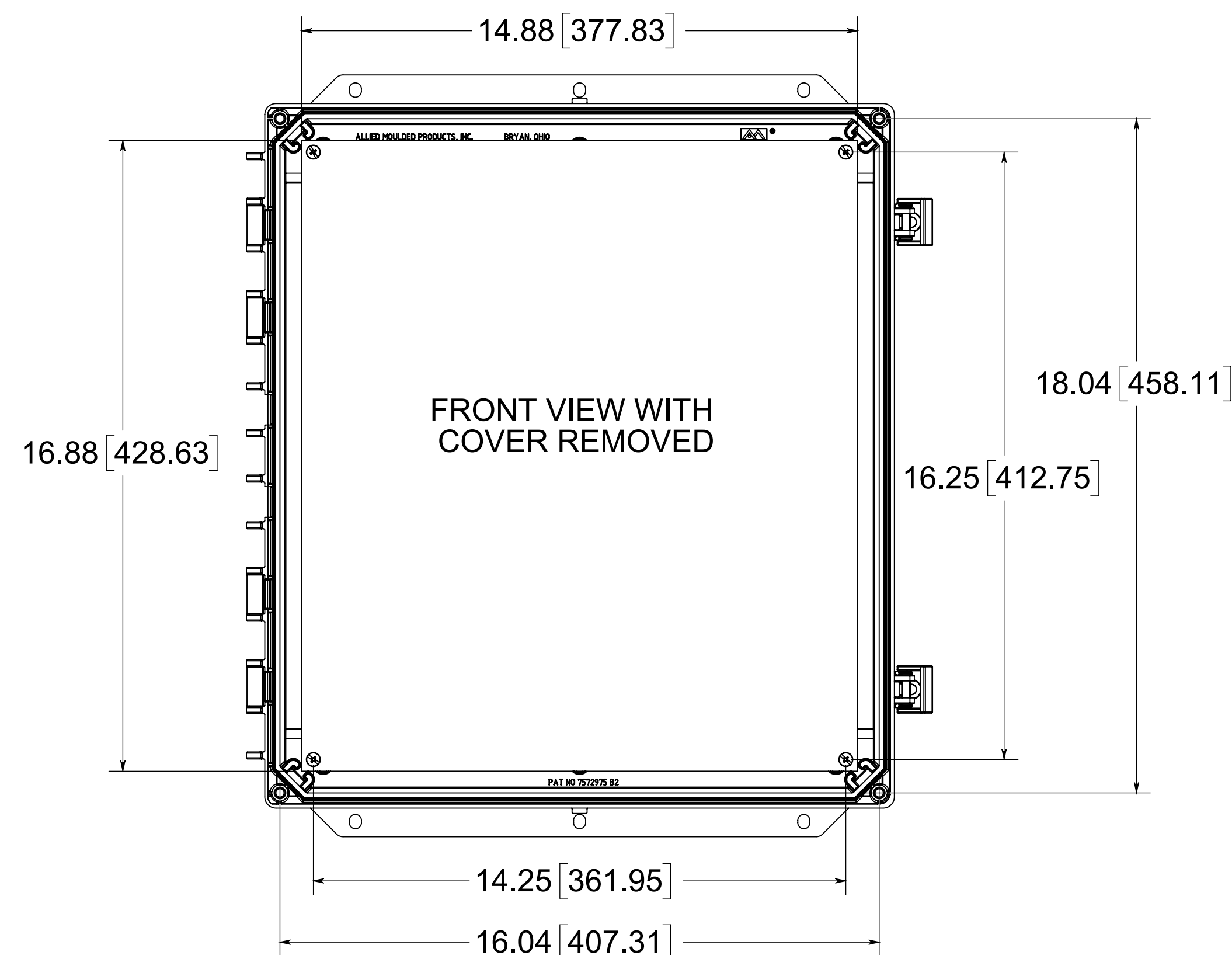


(2X) POLYCARBONATE FLANGE

(6X) #10-32 BRASS INSERTS, 316 STAINLESS STEEL FLANGE AND FEET SCREWS



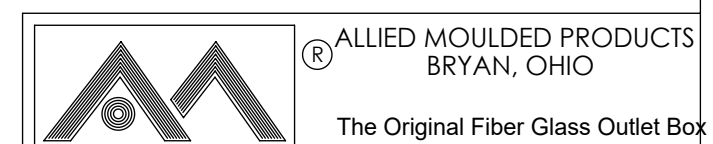
SECTION F-F



FRONT VIEW WITH COVER REMOVED

NOTE:
 1. DATA SUBJECT TO CHANGE

MATERIAL:
 BOX-INJECTION POLYCARBONATE
 STANDARD COVER-INJECTION POLYCARBONATE
 CLEAR COVER-INJECTION POLYCARBONATE



Description

AMP Polyline

Part No.
 AMP1860NLF.WEB

CONFIDENTIAL
 THIS MATERIAL IS OWNED BY THE ALLIED MOULDED PRODUCTS COMPANY, IS DISCLOSED IN CONFIDENCE, AND IS NOT TO BE REPRODUCED OR DISTRIBUTED WITHOUT PRIOR WRITTEN PERMISSION FROM ALLIED MOULDED PRODUCTS.